

PLAN VIEW IS FOR ILLUSTRATION ONLY AND DOES NOT DEPICT ACTUAL JOB CONDITIONS

GENERAL NOTES:

- 1) SYSTEM DESIGNED FOR 1 $\frac{1}{8}$ " OR 1 $\frac{1}{2}$ " INSULATING GLASS ONLY.
- 2) SKYLIGHTS ARE DESIGNED TO SUPPORT A MINIMUM 40 psf POSITIVE LOAD PLUS ALL DEAD LOADS WITH MAXIMUM DEFLECTION OF L/175.
- 3) UNITS ARE SHIPPED KD AND UNGLAZED.
- 4) SUPPORTING CURB CONSTRUCTION MUST BE CAPABLE OF SUPPORTING ALL HORIZONTAL AND VERTICAL LOADS IMPOSED BY THE SKYLIGHT ONTO THE CURB.
- 5) INSTALLATION OF SKYLIGHTS IS BY OTHERS.
- 6) OFF-LOADING OF SKYLIGHTS IS THE RESPONSIBILITY OF THE CUSTOMER.
- 7) MINIMUM PITCH ALLOWED 3:12.

MODEL	R.O. LENGTH	1st BAY R.O. TO CL	TYP BAY CL TO CL	R.O. WIDTH	R.O. to CL PURLIN	CL TO CL PURLIN	UNIT QTY
LPGG							
LPGG							
LPGG							

INSULATED GLASS SPECIFICATION			
OUTER LAYER			
1/2" SPACE FILL	AIR	ARGON	
INNER LAYER			
METAL FINISH	MILL	BLACK ANODIZE	
	CLEAR ANODIZE	KYNAR	COLOR _____
	DARK BRZ ANODIZE	BAKED ENAMEL	COLOR _____
	MEDIUM BRZ ANODIZE		
	LIGHT BRZ ANODIZE		

LOW PROFILE GLASS DECK MOUNT

SALES ORDER #: _____

PROJECT NAME: _____

LOCATION: _____

CUSTOMER: _____

WASCO REP: _____

NOTE: THESE DRAWINGS AND THE DESIGNS DEPICTED IN THEM, ARE THE PROPERTY OF WASCO PRODUCTS, INCORPORATED AND CANNOT BE COPIED OR TRANSMITTED IN ANY FORM WITHOUT THE EXPRESS WRITTEN PERMISSION OF SAME.

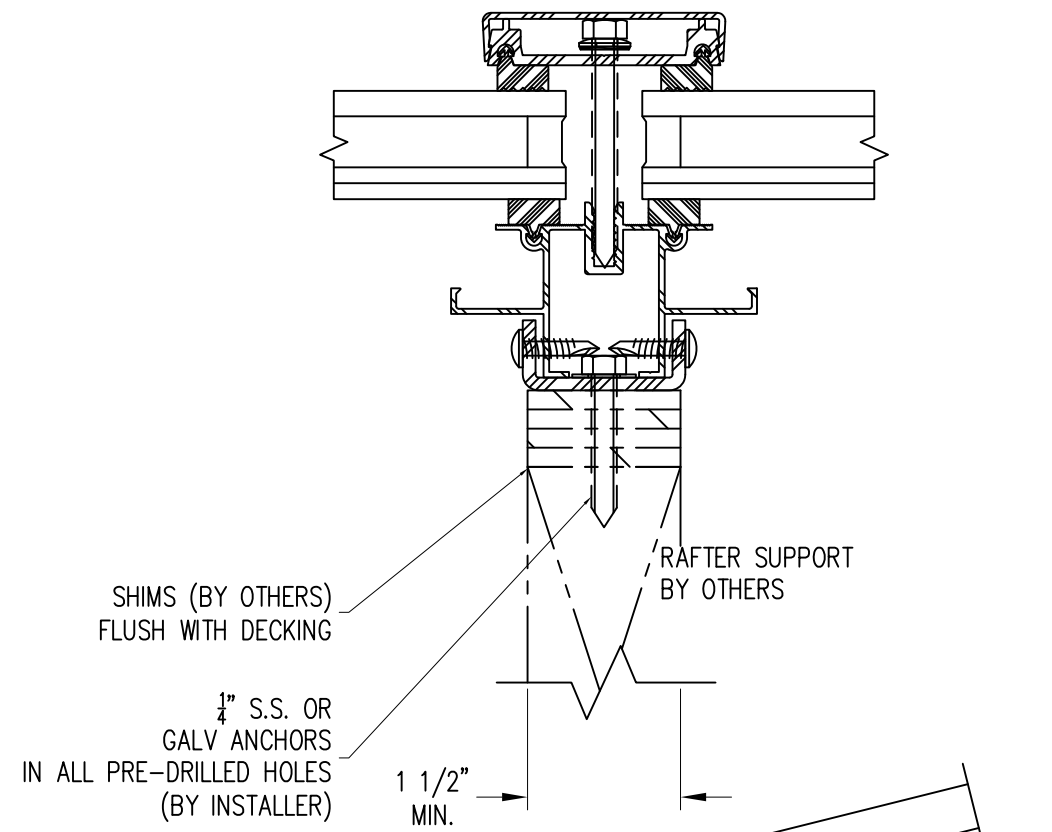
CUSTOMER VERIFICATION REQUIRED

"REVIEWED" STAMPS ARE NOT ACCEPTED
 UNIT(S) DETAILED ARE AS REQUESTED IN THE BID INVITATION.
 THESE DETAILS ACCURATELY REFLECT THE FIELD DIMENSIONS
 AND ARE RELEASED FOR FABRICATION.

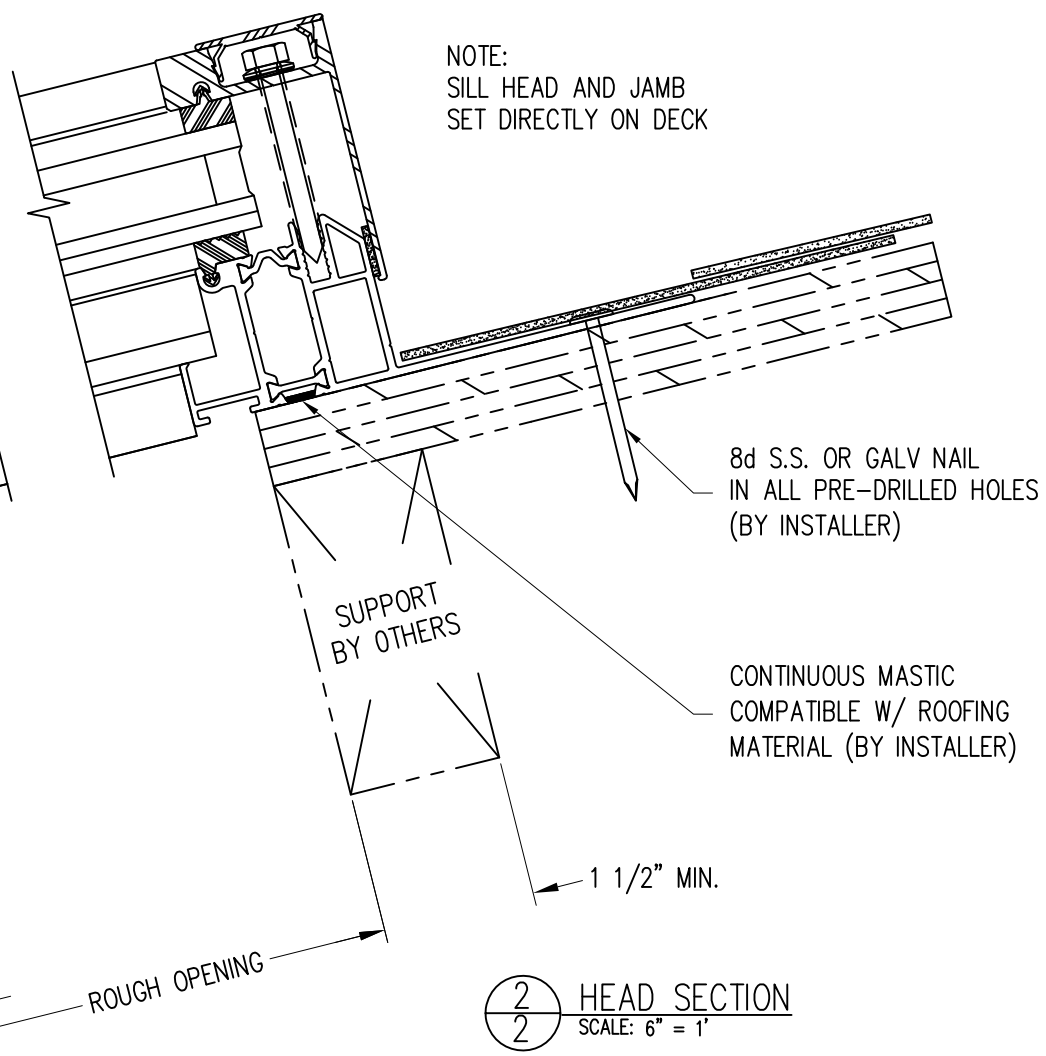
APPROVED: REJECTED: APPROVED AS NOTED (PER REVIEW BY WASCO):

BY: _____ DATE: _____

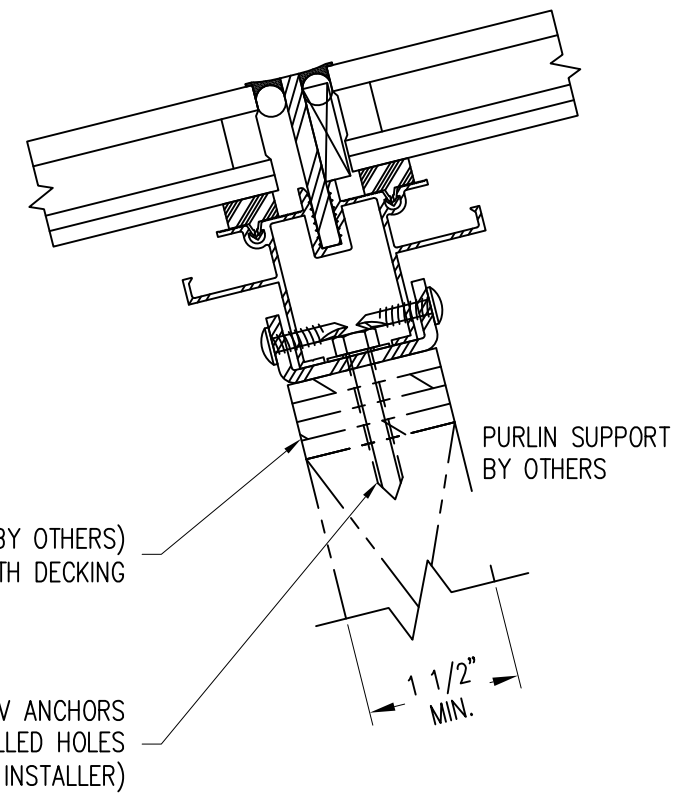
PLEASE INITIAL
SUBSEQUENT SHEETS



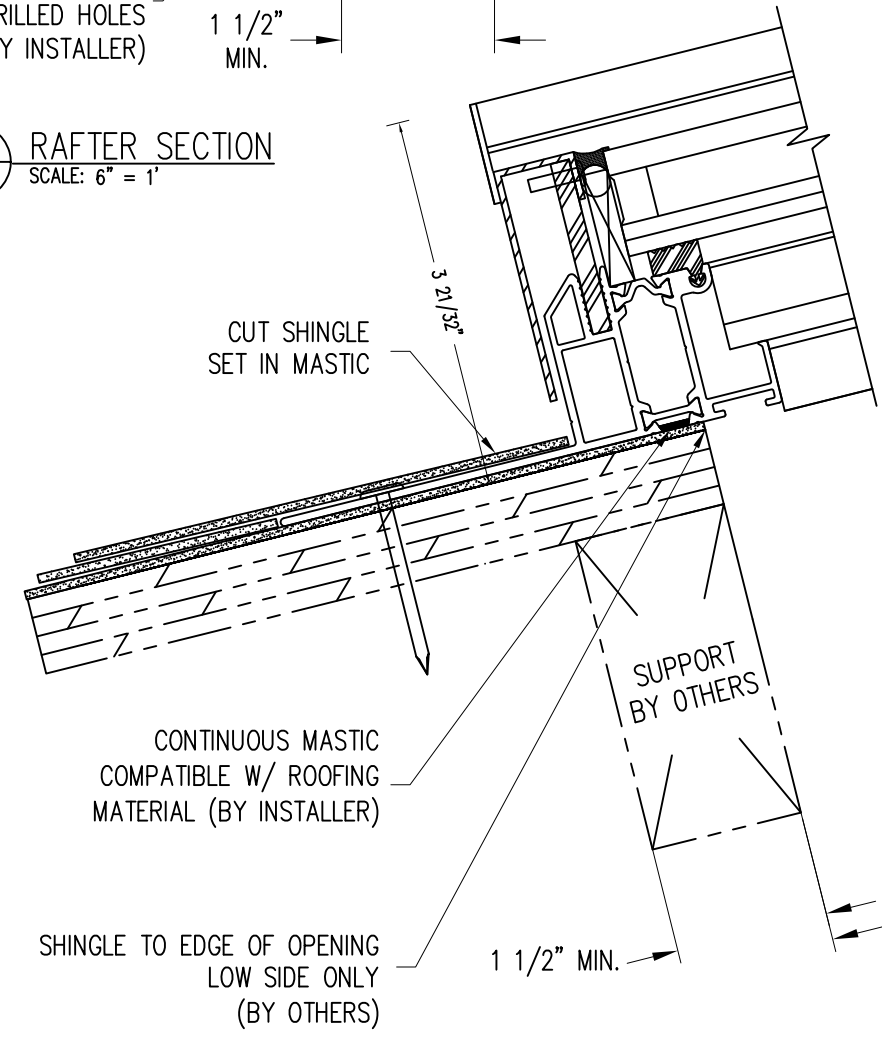
3/2 RAFTER SECTION
SCALE: 6" = 1"



2/2 HEAD SECTION
SCALE: 6" = 1"



4/2 PURLIN SECTION
SCALE: 6" = 1"



1/2 SILL SECTION
SCALE: 6" = 1"

GENERAL CURB/NAILER NOTE: CURBS/NAILERS SHOWN ARE GENERIC. DESIGN AND FABRICATION OF CURBS/NAILERS IS NOT THE RESPONSIBILITY OF WASCO PRODUCTS. THEY MUST BE ADEQUATE TO RESIST ALL VERTICAL AND HORIZONTAL FORCES THAT MAY BE IMPOSED ON THEM BY THE SKYLIGHT SYSTEM.

LPGG - SINGLE PITCH LOW PROFILE DECK MOUNT			
CUSTOMER INITIAL			
Wasco Part of		VELUX Wells 85 Spencer Dr, Unit A Wells, ME 04090 1-800-88-VELUX veluxusa.com	
VELUX Commercial	ORDER#:	INQ#	REV SHEET 0 2 OF 2