

PLAN VIEW IS FOR ILLUSTRATION ONLY AND DOES NOT DEPICT ACTUAL JOB CONDITIONS

CUSTOMER VERIFICATION REQUIRED

"REVIEWED" STAMPS ARE NOT ACCEPTED

UNIT(S) DETAILED ARE AS REQUESTED IN THE BID INVITATION. THESE DETAILS ACCURATELY REFLECT THE FIELD DIMENSIONS AND ARE RELEASED FOR FABRICATION.

APPROVED: REJECTED: APPROVED AS NOTED (PER REVIEW BY WASCO):

BY: _____

DATE: _____

PLEASE INITIAL
SUBSEQUENT SHEETS

GENERAL NOTES:

- 1) SYSTEM DESIGNED FOR 1 $\frac{1}{8}$ " OR 1 $\frac{1}{2}$ " INSULATING GLASS ONLY.
- 2) SKYLIGHTS ARE DESIGNED TO SUPPORT A MINIMUM 40 psf POSITIVE LOAD PLUS ALL DEAD LOADS WITH MAXIMUM DEFLECTION OF L/175.
- 3) SUPPORTING CURB CONSTRUCTION MUST BE CAPABLE OF SUPPORTING ALL HORIZONTAL AND VERTICAL LOADS IMPOSED BY THE SKYLIGHT ONTO THE CURB.
- 4) INSTALLATION OF SKYLIGHTS IS BY OTHERS.
- 5) OFF-LOADING OF SKYLIGHTS IS THE RESPONSIBILITY OF THE CUSTOMER.

MODEL	OD LENGTH	OD WIDTH	UNIT QTY
LPGSG			
LPGSG			
LPGSG			

INSULATED GLASS SPECIFICATION

OUTER LAYER			
1/2" SPACE FILL	AIR	ARGON	
INNER LAYER			
METAL FINISH	MILL	BLACK ANODIZE	
	CLEAR ANODIZE	KYNAR	COLOR _____
	DARK BRZ ANODIZE	BAKED ENAMEL	COLOR _____
	MEDIUM BRZ ANODIZE		
	LIGHT BRZ ANODIZE		

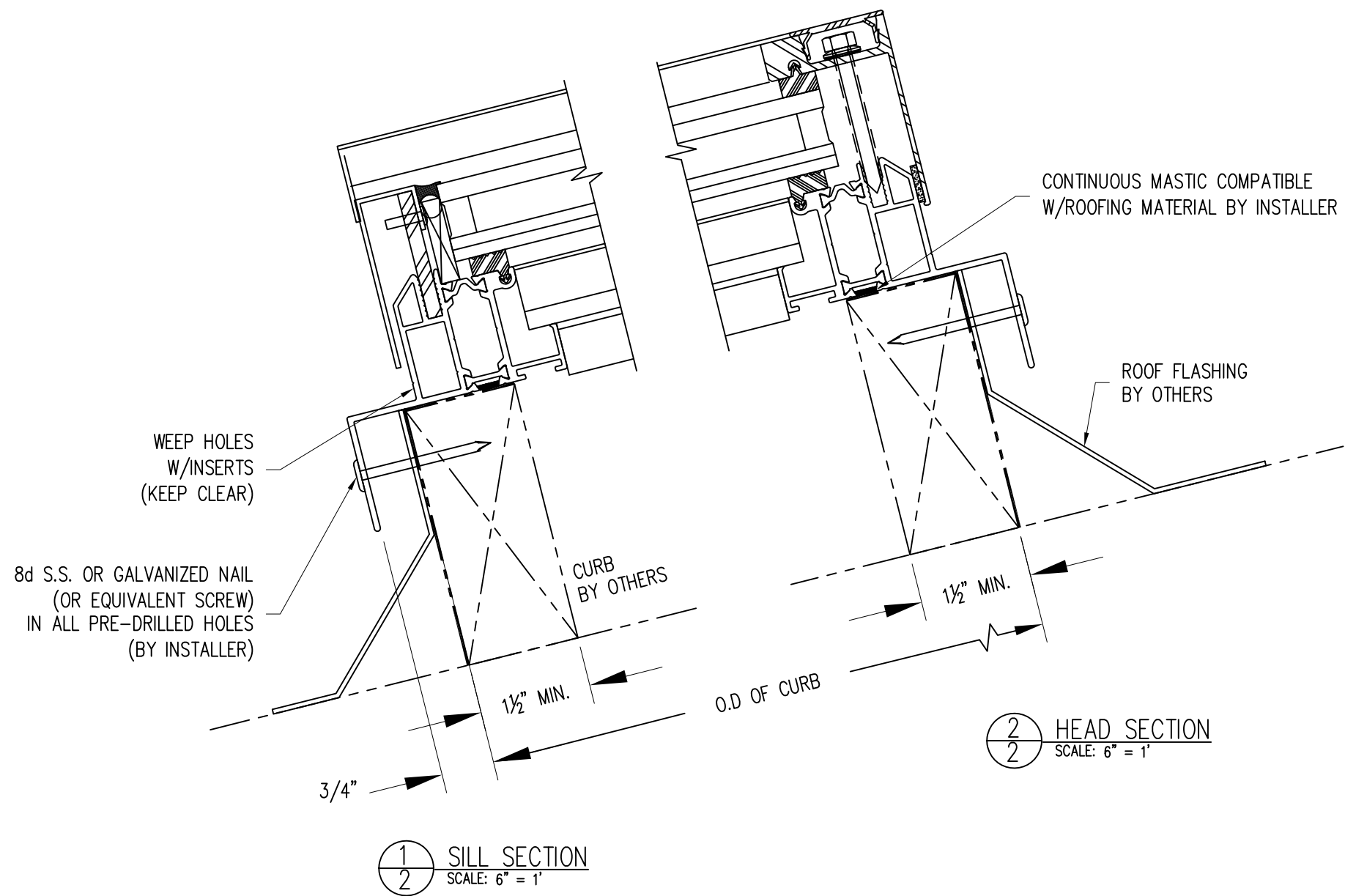
LOW PROFILE GLASS CURB MOUNT

SALES ORDER #:	
PROJECT NAME:	
LOCATION:	
CUSTOMER:	
WASCO REP:	

NOTE: THESE DRAWINGS AND THE DESIGNS DEPICTED IN THEM, ARE THE PROPERTY OF WASCO PRODUCTS, INCORPORATED AND CANNOT BE COPIED OR TRANSMITTED IN ANY FORM WITHOUT THE EXPRESS WRITTEN PERMISSION OF SAME.

VELUX Wells
85 Spencer Dr, Unit A
Wells, ME 04090
1-800-88-VELUX
veluxusa.com





GENERAL CURB/NAILER NOTE: CURBS/NAILERS SHOWN ARE GENERIC. DESIGN AND FABRICATION OF CURBS/NAILERS IS NOT THE RESPONSIBILITY OF WASCO PRODUCTS. THEY MUST BE ADEQUATE TO RESIST ALL VERTICAL AND HORIZONTAL FORCES THAT MAY BE IMPOSED ON THEM BY THE SKYLIGHT SYSTEM.

LPGSG - SINGLE PITCH LOW PROFILE CURB MOUNT			
CUSTOMER INITIAL			
Wasco Part of VELUX Commercial		VELUX Wells 85 Spencer Dr, Unit A Wells, ME 04090 1-800-88-VELUX veluxusa.com	
		ORDER#:	INQ#
		0	2 OF 2