

PLAN VIEW IS FOR ILLUSTRATION ONLY AND DOES NOT DEPICT ACTUAL JOB CONDITIONS

FLORIDA PRODUCT APPROVED 14417.16
RATED FOR USE IN WINDBORN DEBRIS ZONES

LARGE AND SMALL MISSILE COMPLIANT
DESIGN PRESSURE RATING 80 PSF +/-

CUSTOMER VERIFICATION REQUIRED
"REVIEWED" STAMPS ARE NOT ACCEPTED
UNIT(S) DETAILED ARE AS REQUESTED IN THE BID INVITATION.
THESE DETAILS ACCURATELY REFLECT THE FIELD DIMENSIONS
AND ARE RELEASED FOR FABRICATION.

APPROVED: REJECTED: APPROVED AS NOTED (PER REVIEW BY WASCO):

BY: _____ DATE: _____

PLEASE INITIAL
SUBSEQUENT SHEETS

GENERAL NOTES:

- 1) SYSTEM DESIGNED FOR 1-3/16" INSULATING GLASS.
- 2) SKYLIGHTS ARE DESIGNED TO SUPPORT A MAXIMUM 80PSF POSITIVE/NEGATIVE LOAD PLUS ALL DEAD LOADS WITH MAXIMUM DEFLECTION OF L/175.
- 3) UNITS ARE SHIPPED KD AND UNGLAZED.
- 4) SUPPORTING CURB CONSTRUCTION MUST BE CAPABLE OF SUPPORTING ALL HORIZONTAL AND VERTICAL LOADS IMPOSED BY THE SKYLIGHT ONTO THE CURB.
- 5) INSTALLATION OF SKYLIGHTS IS BY OTHERS.
- 6) OFF-LOADING OF SKYLIGHTS IS THE RESPONSIBILITY OF THE CUSTOMER.

MODEL	OD LENGTH	1st BAY OD TO CL	TYP BAY (48" MAX)	OD WIDTH (73" MAX)	IF PURLINS ARE USED		UNIT QTY
					OD to CL PURLIN	CL TO CL PURLIN	
LPGS-HU							
LPGS-HU							
LPGS-HU							

INSULATING GLASS SPECIFICATION		GLASS COLOR	
OUTER LAYER (1/4" TEMPERED)			
1/2" SPACE FILL		AIR	ARGON
INNER LAYER (7/16" LAMI w .090 SGP)			
METAL FINISH	MILL	BLACK ANODIZE	
	CLEAR ANODIZE	KYNAR	COLOR _____
	DARK BRZ ANODIZE	BAKED ENAMEL	COLOR _____
	MEDIUM BRZ ANODIZE		
	LIGHT BRZ ANODIZE		

HURRICANE RATED LOW PROFILE GLASS CURB MOUNT-FPA

SALES ORDER #: _____

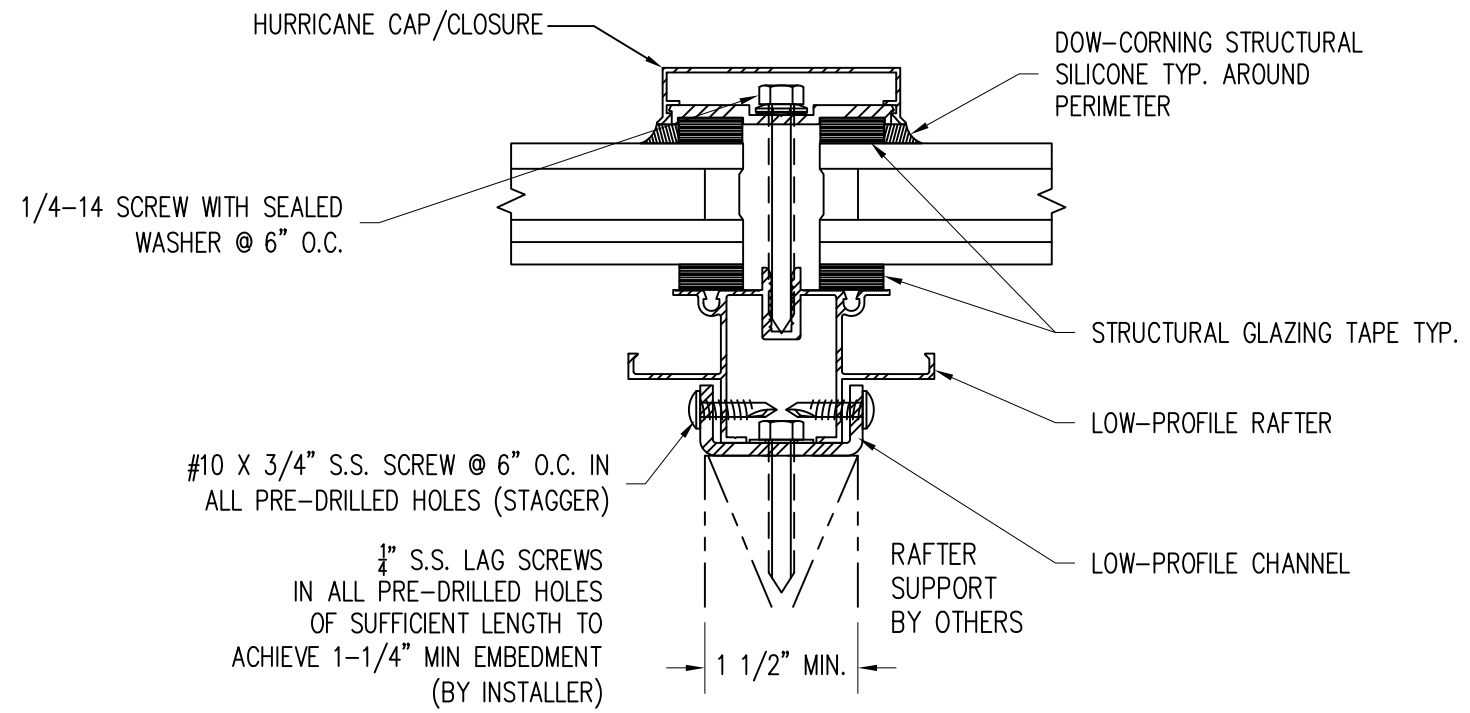
PROJECT NAME: _____

LOCATION: _____

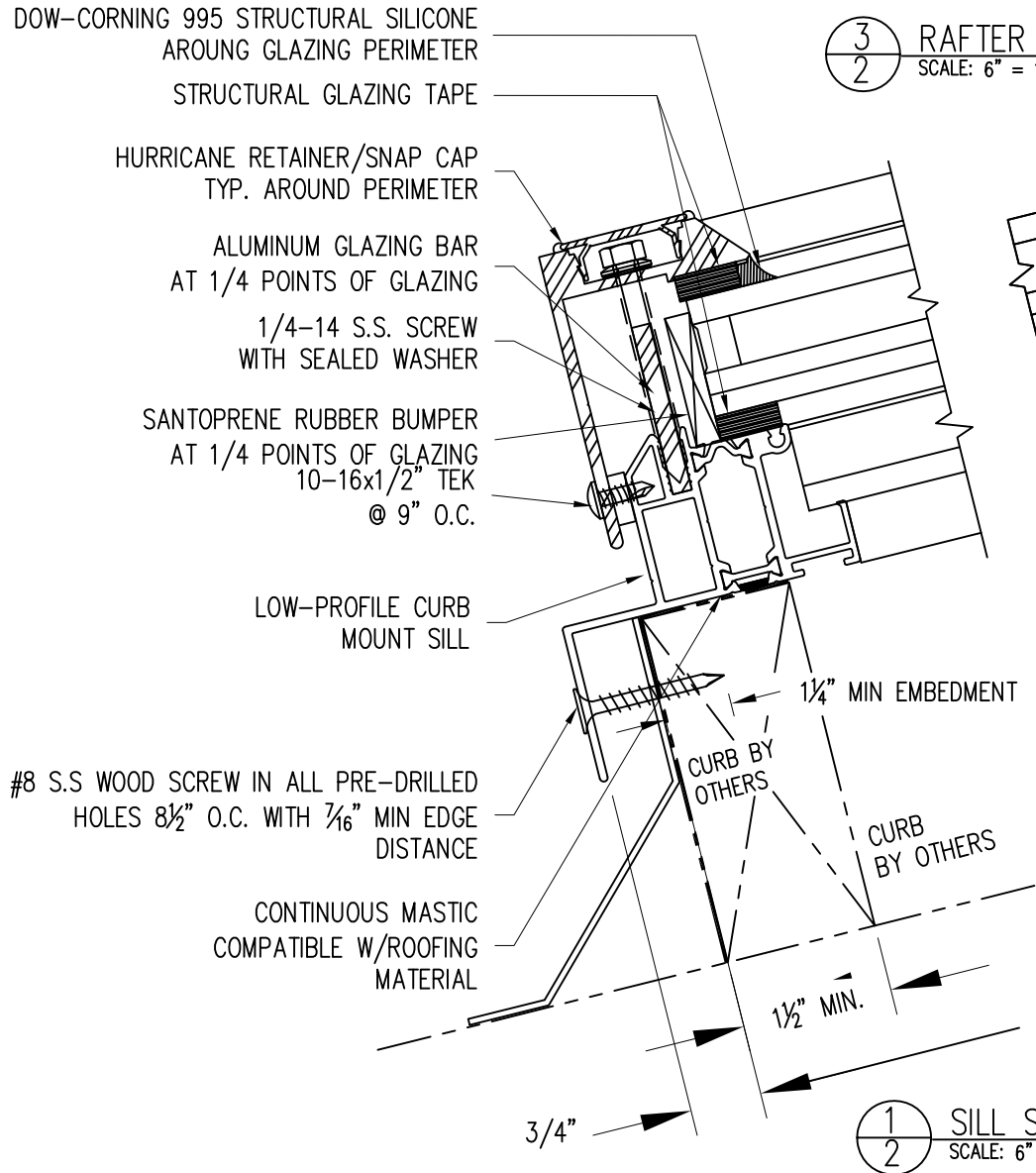
CUSTOMER: _____

WASCO REP: _____

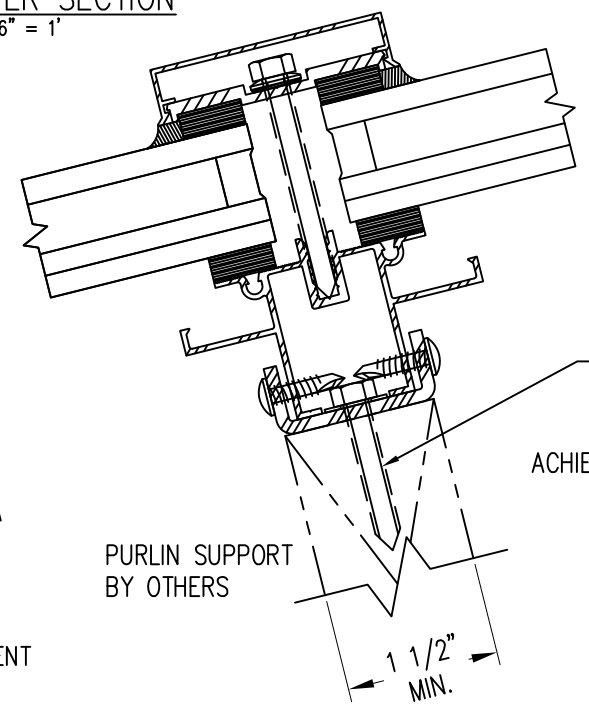
NOTE: THESE DRAWINGS AND THE DESIGNS DEPICTED IN THEM, ARE THE PROPERTY OF WASCO PRODUCTS, INCORPORATED AND CANNOT BE COPIED OR TRANSMITTED IN ANY FORM WITHOUT THE EXPRESS WRITTEN PERMISSION OF SAME.



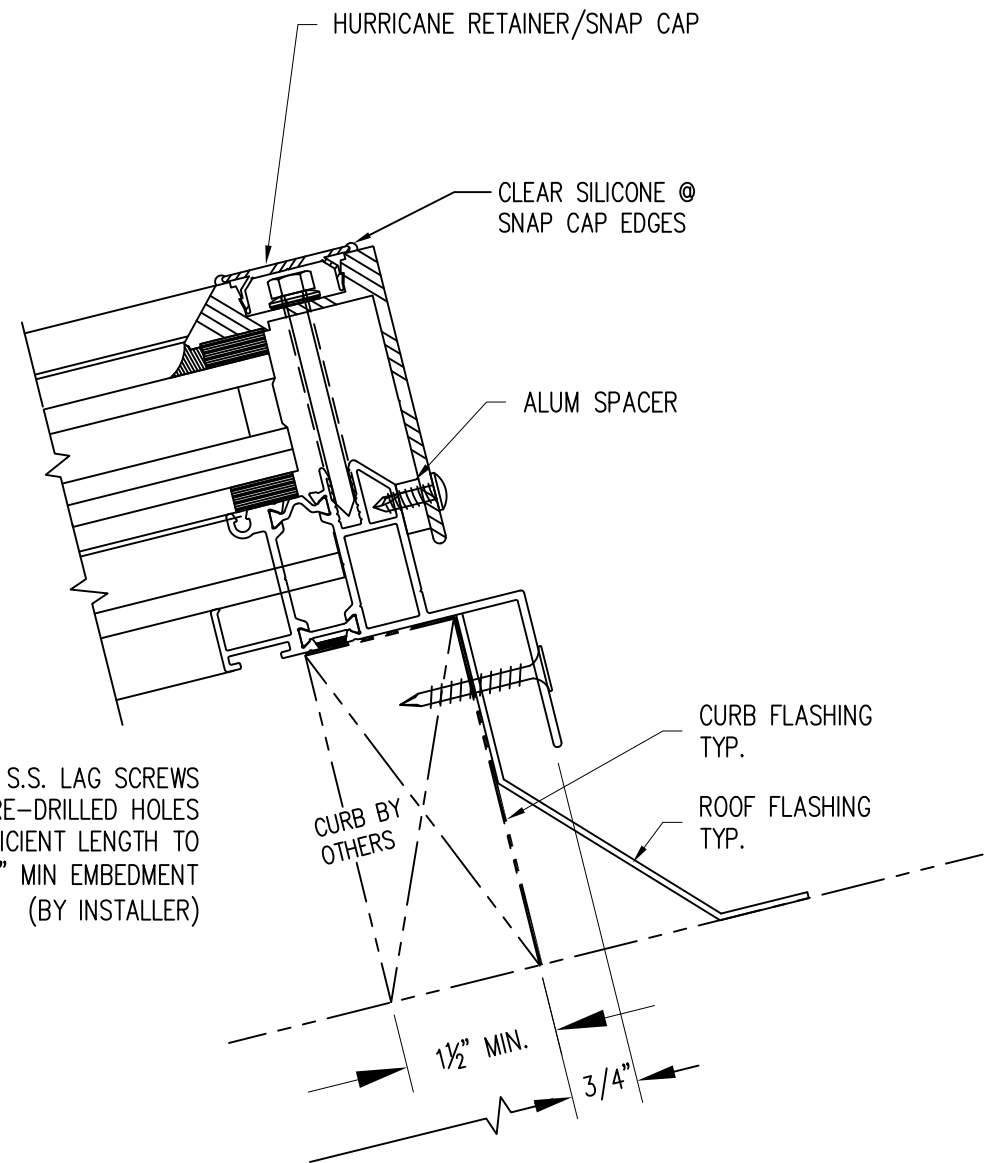
3 RAFTER SECTION
SCALE: 6" = 1"



1 SILL SECTION
SCALE: 6" = 1"



4 PURLIN SECTION
SCALE: 6" = 1"



2 HEAD SECTION
SCALE: 6" = 1"

GENERAL CURB/NAILER NOTE: CURBS/NAILERS SHOWN ARE GENERIC. DESIGN AND FABRICATION OF CURBS/NAILERS IS NOT THE RESPONSIBILITY OF WASCO PRODUCTS. THEY MUST BE ADEQUATE TO RESIST ALL VERTICAL AND HORIZONTAL FORCES THAT MAY BE IMPOSED ON THEM BY THE SKYLIGHT SYSTEM.

LPGS-HU - SP LOW PROFILE CURB MOUNT IMPACT RATED			
CUSTOMER INITIAL			
Wasco Part of		VELUX Wells 85 Spencer Dr, Unit A Wells, ME 04090 1-800-88-VELUX veluxusa.com	
VELUX Commercial			
ORDER#:	INQ#	REV	SHEET
		A	2 OF 2