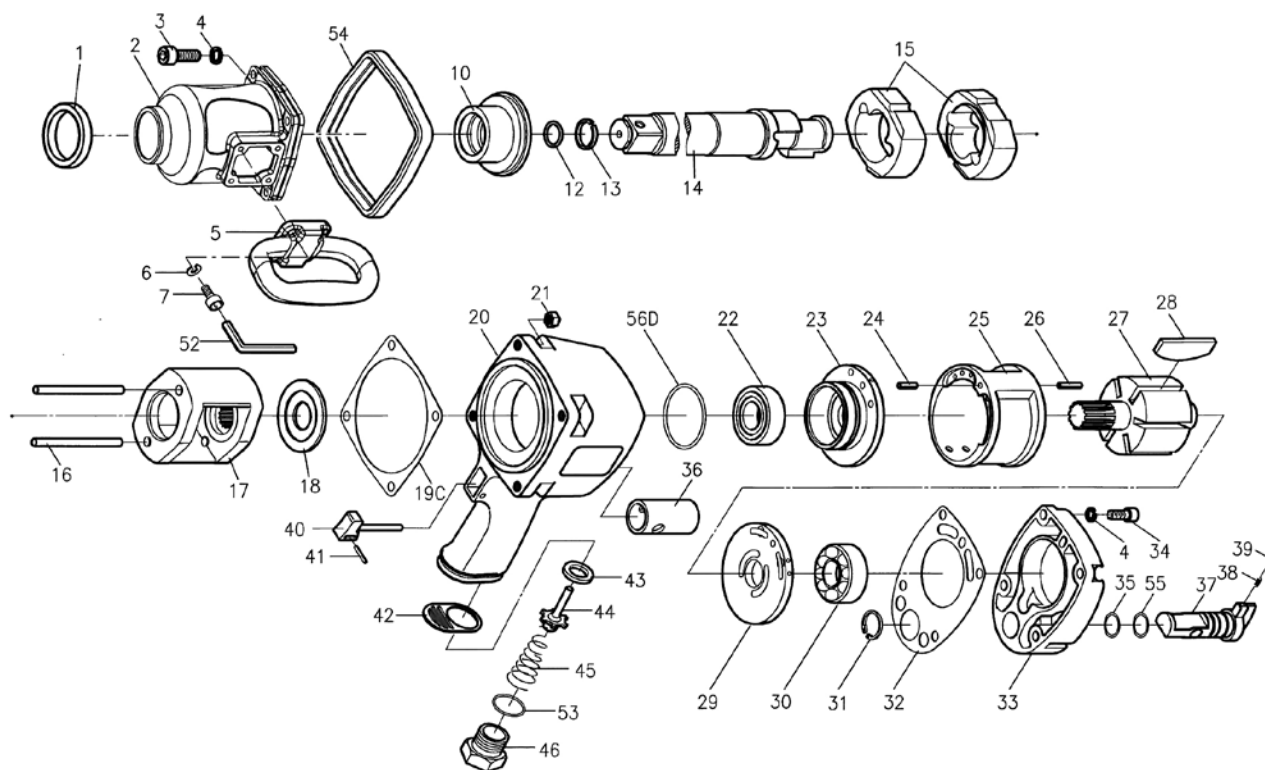


Service Parts / Exploded View Drawing



Index No.	Part No.	Description	Q'ty
1	00-4218	Oil Seal	1
2	315-002P	Hammer Case	1
3	00-0130	Cap Screw	4
4	00-1804	Spring Washer	8
5	315F-020	D-Type Handle	1
6	00-1803	Spring Washer	4
7	00-0119	Cap Screw	4
10	315-010-B	Anvil Bushing	1
12	00-4124	O-Ring	1
13	310-038	Anvil Collar	1
14	315G-011A8	2" Anvil	1
	315G-011B8	8" Anvil	
15	315-SR-017	Hammer	2
16	315-016	Hammer Pin	2
17	315G-012	Hammer Cage	1
18	328-019	Rear Washer	1
19C	310-033-B	Front Gasket	1
20	316-001	Motor Housing	1
21	00-2001	Lock Nut	4
22	00-2301	Ball Bearing	1
23	327-005	Front End Plate	1
24	00-3311	Spring Pin	1
25	315-006	Cylinder	1
26	00-3337	Spring Pin	1
27	314-007	Rotor	1
28	328-008	Rotor Blade	6

Index No.	Part No.	Description	Q'ty
29	315-009B	Rear End Plate	1
30	00-2319	Ball Bearing	1
31	00-4801	Snap Ring	1
32	316-021-C	Rear Gasket	1
33	316-003-B	Rear Cover	1
34	00-0120	Cap Screw	4
35	00-4155	O-Ring	1
36	316-019	Valve Sleeve	1
37	316-020	Reverse Valve	1
38	306-031	Spring	1
39	00-3802	Steel Ball	1
40	314-025	Trigger	1
41	00-3326	Spring PIN	1
42	316-023	Exhaust Deflector	1
43	314-027-B	Bushing	1
44	314-026-B	Valve Stem	1
45	314-029	Spring	1
46	314-031B	Air Inlet (1/2"PT) UK	1
	314-031C	Air Inlet (1/2" NPT) USA	
52	00-3906	Hex. Wrench	1
53	00-4134	O-Ring	1
54	322-031	Housing Band	1
55	00-41159	O-Ring	1
56D	00-4137	O-Ring	1