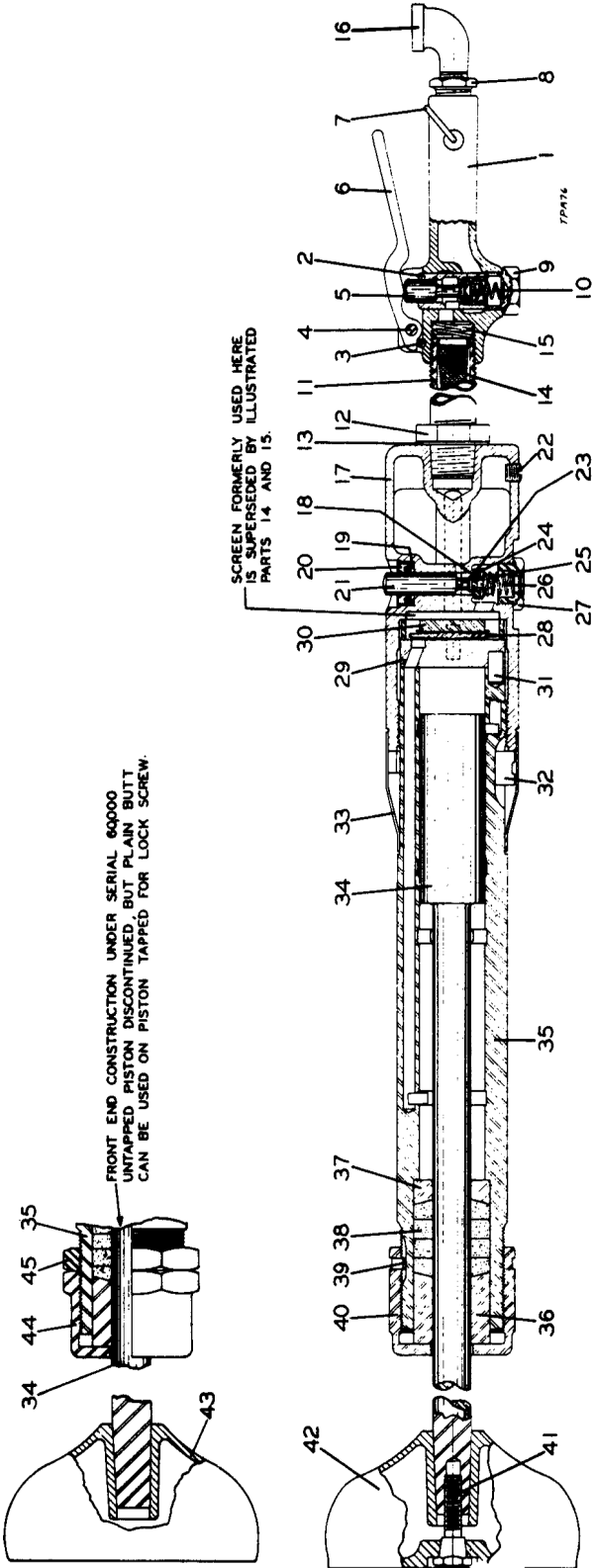


Ingersoll-Rand Model 34 Tamper



Ingersoll-Rand Model 34 Tamper

INDEX	PART NO.	REF. NO.	NAME OF PART	INDEX	PART NO.	REF. NO.	NAME OF PART
BACKHEAD AND HANDLE				32	24SR-6	4302	Locking Key
*	24SR-A160	4341	Throttle Handle Assembly	33	34SR-23	4339	Deflector
1	24SR-160	4327	Throttle Body	34	34SR-R20	4309	Piston
2	24SR-162	4329	Throttle Bushing	36	34SR-R19	4308	Packing Nut Bushing
3	24SR-265	4337	Stop Pin	37	34SR-R12	4303	Packing Washer
4	24SR-264	4336	Pivot Pin	38	34SR-R18	4307	Packing Set
5	24SR-161	4328	Throttle Valve	39	34SR-207	4333	Packing Nut Lock Spring Over Serial (60000)
6	24SR-163	4330	Throttle Lever	40	34SR-13A	4304	Packing Nut over Serial (60000)
7	24SR-56	4315	Bail	41	34SR-85	4317	Butt Screw
8	24SR-9	4338	Reducer Bushing	42	34SR-M-183	4316	Steel Butt (5 $\frac{3}{4}$ "
9	24SR-164	4331	Throttle Cap		34SR-L-183	4310	Butt Aluminum
10	24SR-262	4335	Throttle Spring	44	34SR-13	4344	Packing Nut under Serial (60000)
11	34SR-1	4300	Extension Handle	45	34SR-17	4306	Locking Nut under Serial (60000)
12	24SR-118	4340	Lock Nut		14SR-46	824	Hose Nipple
13	24SR-307	4342	Lock Washer				Sub. for O.E.M. Throttle Handle Complete Incl. 2313, 603, 604, 605, 606, 607, 608, 609, 610 Flat Rod Piston
14	24SR-4	4301	Screen		Special	4347	
15	24SR-5	4332	Screen Retaining Spring				
16	24SR-8	4200	$\frac{3}{8}$ " Street Ell				
18	24SR-104	4323	Lubricator Valve Stem Washer				
19	24SR-99	4318	Valve Seal Gasket				
20	24SR-100	4319	Lubricator Valve Seal				
21	34SR-101	4320	Lubricator Valve				
22	24SR-227	4334 *	Oil Plug w/Slotted Head				
22	P25-227	4343	Oil Plug w/Hex Head				
23	24SR-102	4321	Lubricator Valve Disc				
24	24SR-103	4322	Lubricator Valve Disc Washer				
25	24SR-105	4324	Lubricator Valve Nut				
26	24SR-106	4325	Lubricator Valve Spring				
27	24SR-107	4326	Lubricator Valve Cap				
CYLINDER							
28	34SR-40	4311	Valve				
29	34SR-41	4312	Valve Box				
30	34SR-43	4313	Valve Cap				
31	24SR-45	4314	Valve Box Dowel				