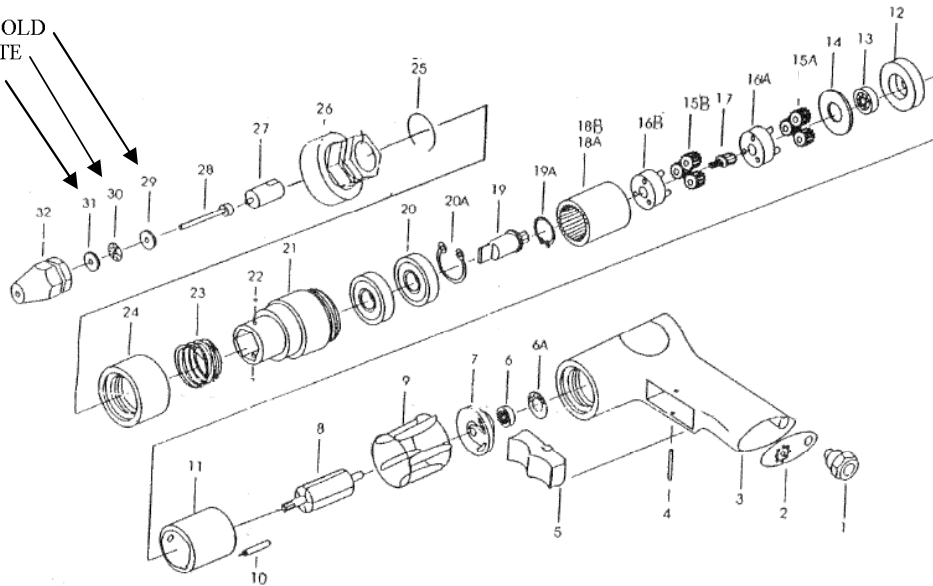


SSG-808 PARTS BREAKDOWN

29, 30, & 31 SOLD
AS COMPLETE
SET BS-XX

**KEEP BEARING
SET WELL
GREASED!**

USE SHEREX
SSG-LUBE OR
LUBRIPLATE
L0161-001



(Ref) Sherex Part No.	Description	No. Required	(Ref) Sherex Part No.	Description	No. Required
(1) SSG-802-1	Air Inlet	1	(16A) SSG-808-16A	Gear Cage	1
(2) SSG-802-2	Diffuser-Exhaust	1	(16B) SSG-808-16B	Gear Cage	1
(3) SSG-808-3	Handle Assembly	1	(17) SSG-808-17	Sun Gear (9T)	1
(4) SSG-802-4	Pin (3x28)	1	(18A) SSG-808-18A	Internal Gear	1
(5) SSG-802-5	Trigger	1	(18B) SSG-808-18B	Internal Gear	1
(6A) SSG-802-6A	Gasket	1	(19) SSG-802-19	Drive Spindle	1
(6) SSG-802-6	Ball Bearing (696zz)	1	(19A) SSG-802-19A	Retaining Ring	1
(7) SSG-808-7	Rear Plate	1	(20) SSG-802-20	Ball Bearing (6200z)	2
(8) SSG-808-8	Rotor (6T)	1	(20A) SSG-803-20A	Retaining Ring	1
(9) SSG-808-9	Rotor Blade	5	(21) SSG-803-21	Nose Housing	1
(10) SSG-802-10	Roll Pin (2.5x10)	2	(22) SSG-802-21	Locking Balls	2
(11) SSG-808-11	Cylinder	1	(23) SSG-802-22	Change Valve Spring	1
(12) SSG-808-12	Front End Plate	1	(24) SSG-802-23	Quick Change Sleeve	1
(13) SSG-802-13	Ball Bearing (626zz)	1	(25) SSG-802-25	Circlip	1
(14) SSG-802-14	Washer	1	(26) SSG-808-26	Spindle Cover	1

Thread Size	Hex Driver (24)	Mandrel* (26)	Bearing Set (29, 30, 31)	Complete Head Set (26, 27, 28, 29-31, 32)	No. Req.
1/2-13	HD-50	M-5013-250	BS-50	BS-50	1
1/2-20	HD-50	M-5020-225	BS-50	BS-50	1
M12	HD-M12	M-M12-60	BS-M12	BS-M12	1

*Use only high Quality Socket Head Cap Screws such as Unbrako®, or Holokrome®

(15A) SSG-808-15A	Planet Gear (18T)	3
(15B) SSG-808-15B	Planet Gear (16T)	3