



SERVICE PARTS LIST

BULLETIN NO.
54-47-0231

SPECIFY CATALOG NO. AND SERIAL NO. WHEN ORDERING PARTS		REVISED BULLETIN	DATE
M12 3/8" RATCHET		54-47-0230	Jan. 2013
CATALOG NO.	2457-20	WIRING INSTRUCTION See Reverse Side	
	SERIAL NUMBER	D54B	

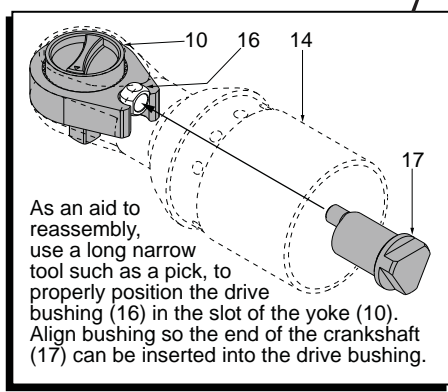
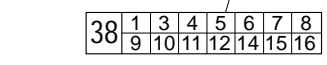
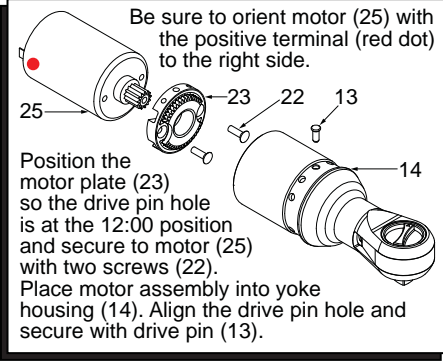
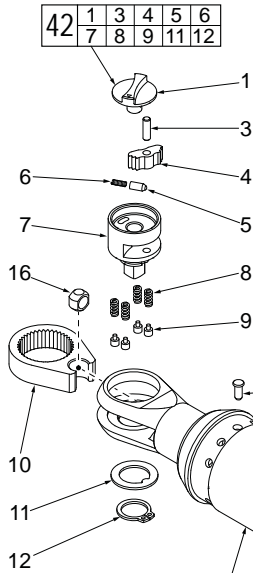


FIG.	PART NO.	DESCRIPTION OF PART	NO. REQ.
★ 1	44-10-0032	Shift Knob	(1)
★ 3	06-65-0032	M3 x 10 Pin	(1)
4	44-55-0212	Pawl	(1)
5	31-12-0002	Spring Cap	(1)
6	40-50-0022	Spring	(1)
★ 7	42-06-0098	3/8" Anvil Assembly	(1)
8	-----	Friction Pin Spring	(4)
9	-----	Friction Pin	(4)
10	-----	Yoke	(1)
11	-----	Friction Plate	(1)
12	-----	Retaining Ring	(1)
13	44-60-0890	Drive Pin	(1)
★ 14	-----	Yoke Housing	(1)
15	-----	Needle Bearing	(2)
16	-----	Driver Bushing	(1)
★ 17	36-17-0305	Crankshaft	(1)
18	28-23-0500	Carrier Assembly	(1)
19	32-62-0400	Planet Gear	(3)
20	32-65-0350	Ring Gear	(1)
21	45-88-2105	Washer	(1)
22	05-81-0105	M3 x 10 T-10 Screw	(6)
23	44-66-1240	Motor Plate	(1)
24	-----	LED Assembly (Component of PCBA)	(1)
25	23-30-0650	Motor Assembly	(1)

FIG.	PART NO.	DESCRIPTION OF PART	NO. REQ.
26	06-82-2415	M2.6 x 14 ST T-8 Screw	(4)
27	06-82-2395	M2.6 x 10 ST T-8 Screw	(1)
28	-----	Handle Cover - Right	(1)
29	-----	Switch	(1)
30	-----	PCB Assembly with LED	(1)
31	12-20-2457	Service Nameplate (Not Shown)	(1)
32	23-66-2910	Lockout Switch	(1)
33	-----	Battery Connector	(1)
34	44-60-0575	Spring Pin	(1)
35	44-10-0740	Switch Paddle	(1)
36	-----	Handle Support - Left	(1)
★ 38	14-46-2485	3/8" Yoke Housing Assembly	(1)
39	23-66-3020	Switch Assembly	(1)
40	31-44-2710	Handle Kit	(1)
41	-----	Fuel Gauge Label	(1)
★ 42	42-06-1030	3/8" Anvil Service Kit	(1)
43	42-55-2456	Contractors Bag	(1)
	42-04-0800	3/8" to 1/4" Adaptor (Not Shown)	(1)

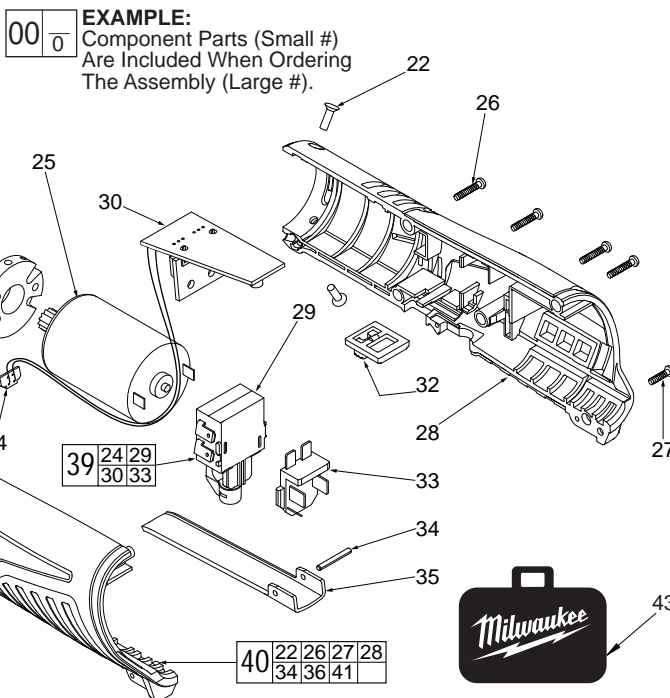
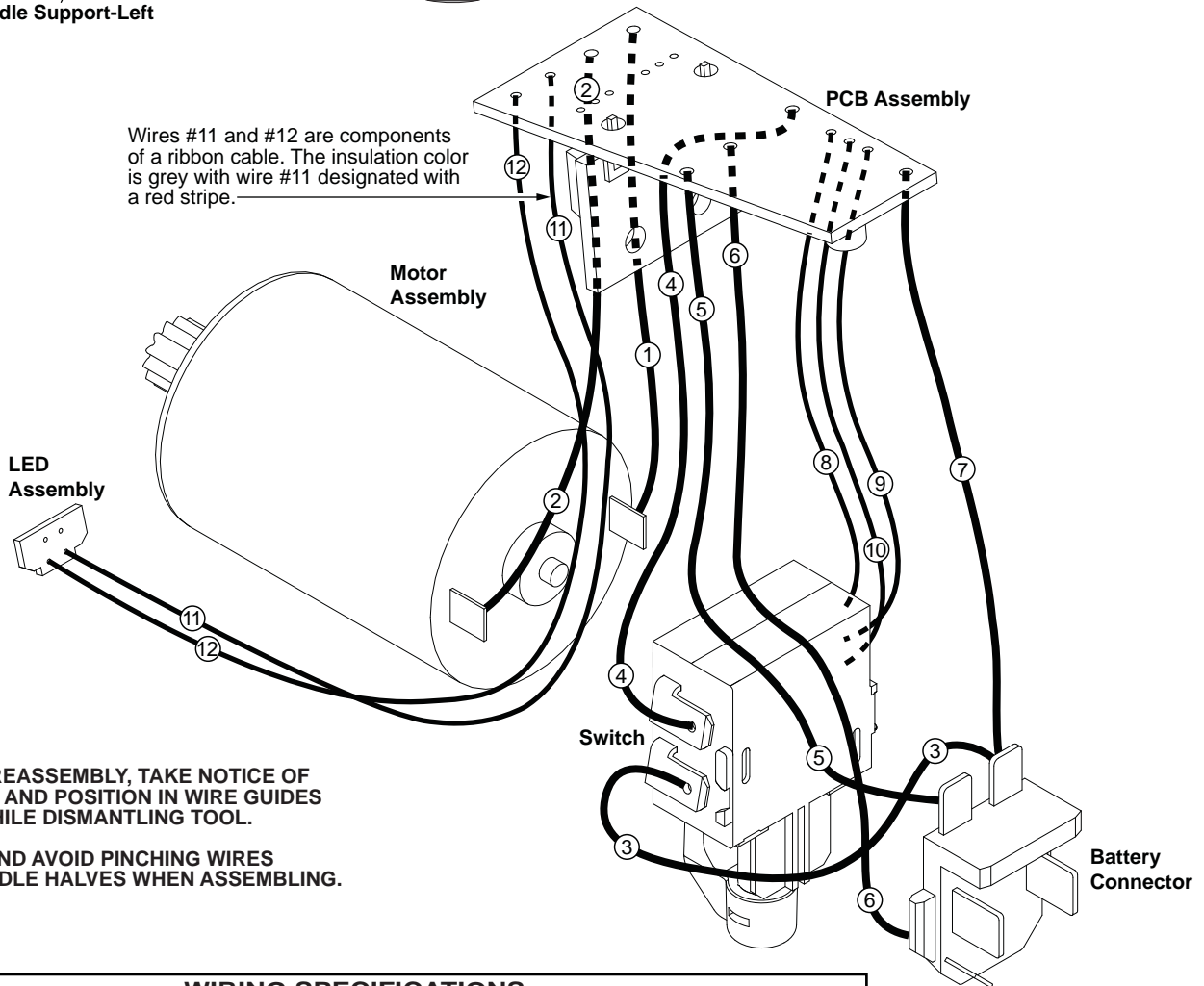
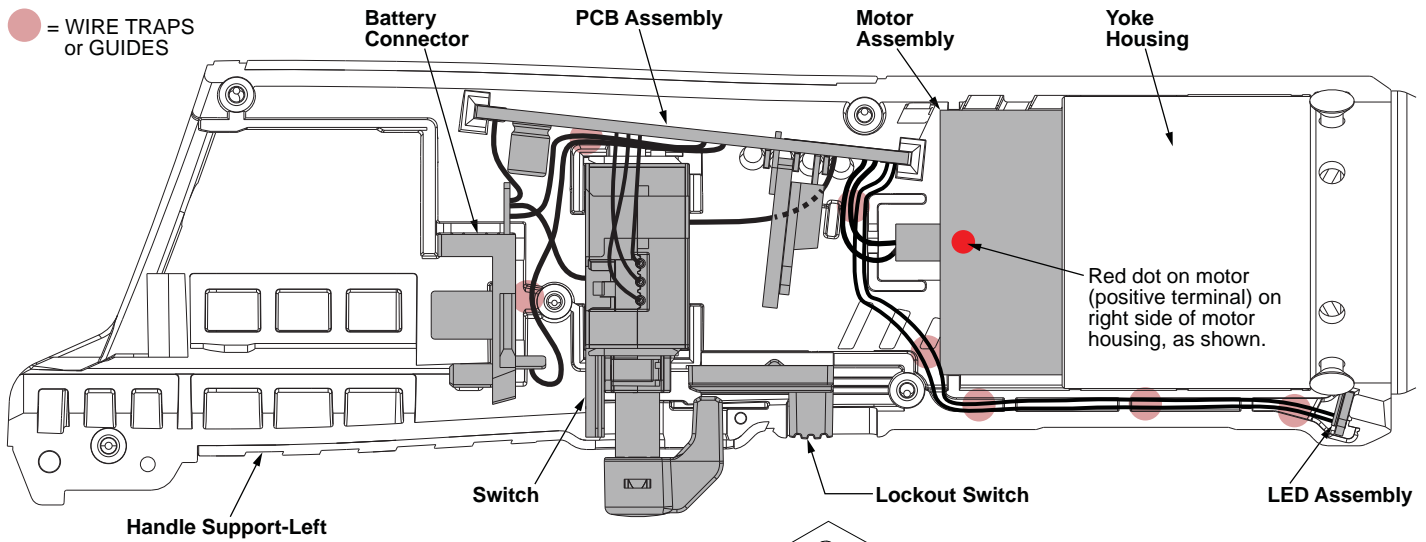


FIG.	DESCRIPTION
00	EXAMPLE: Component Parts (Small #) Are Included When Ordering The Assembly (Large #).
17	LUBRICATION (Type 'E' Grease, No. 49-08-4122): Apply a moderate coating of grease to the small cylindrical surface that goes into driver bushing and to the large cylindrical surface that is surrounded by the two needle bearings.
18	Apply a moderate coating of grease to the three axes of the carrier assembly prior to installing the planet gears.
20,25	Apply a heavy coating of grease to the inside diameter gear teeth of the ring gear and the teeth of the motor pinion.
21	Apply a light coat of grease to the surface of the washer.
FIG. 28,31	NOTES Prior to installing a new service nameplate, apply isopropyl alcohol to the handle cover with a clean, lint free applicator and allowed to dry.
34	Use a similar size tool or pin to remove the spring pin from the handle halves and switch paddle. When reinstalling pin, align the holes and carefully press or tap the pin in place.



AS AN AID TO REASSEMBLY, TAKE NOTICE OF WIRE ROUTING AND POSITION IN WIRE GUIDES AND TRAPS WHILE DISMANTLING TOOL.

BE CAREFUL AND AVOID PINCHING WIRES BETWEEN HANDLE HALVES WHEN ASSEMBLING.

WIRING SPECIFICATIONS

Wire No.	Wire Color	Origin or Part No.	Gauge	Length	Terminals, Connectors and End Wire Preparation
1	Red	23-66-3020	--	--	Component of the Switch Assembly.
2	White	23-66-3020	--	--	Component of the Switch Assembly.
3	Red	23-66-3020	--	--	Component of the Switch Assembly.
4	Black	23-66-3020	--	--	Component of the Switch Assembly.
5	Black	23-66-3020	--	--	Component of the Switch Assembly.
6	White	23-66-3020	--	--	Component of the Switch Assembly.
7	Red	23-66-3020	--	--	Component of the Switch Assembly.
8	Yellow	23-66-3020	--	--	Component of the Switch Assembly.
9	Blue	23-66-3020	--	--	Component of the Switch Assembly.
10	Black	23-66-3020	--	--	Component of the Switch Assembly.
11	Grey w/ Red Stripe	23-66-3020	--	--	Component of the Switch Assembly.
12	Grey	23-66-3020	--	--	Component of the Switch Assembly.

NOTE:

All leads must be held to $\pm 1/16"$.
All lead lengths are before strip-

TERMINAL DESCRIPTION		
Code	Part No.	Qty.
CONNECTOR DESCRIPTION		