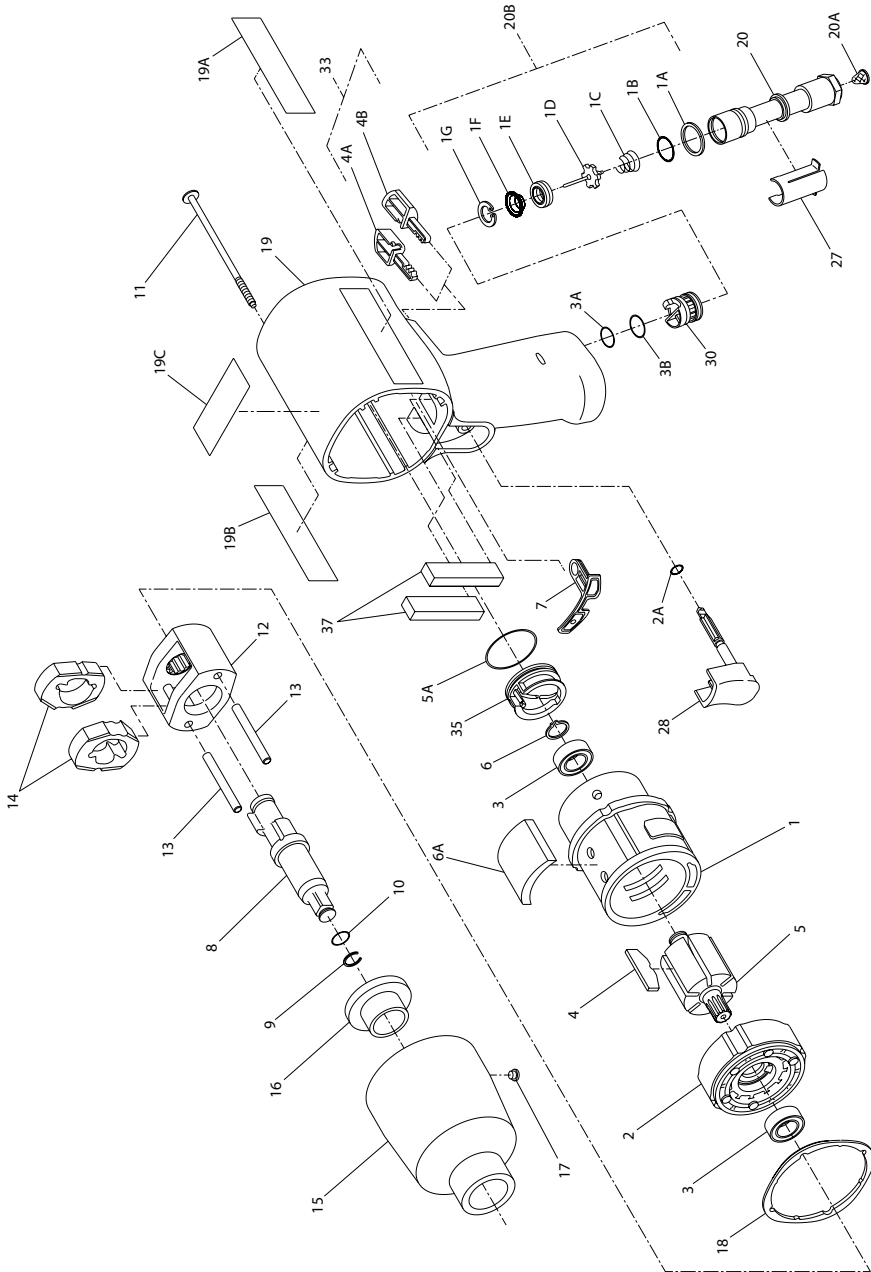


# 2131 Series Air Impact Wrench - Exploded View



(Dwg. TPA1854)

## 2131 Series Air Impact Wrench - Parts List

Item	Part Description	Part Number	Item	Part Description	Part Number
1	Cylinder	2135-3	19C	Warning Label	WARNING-2-99
2	Front End Plate	2131-11	20	Inlet Bushing Assembly	2131-D565
3	Rotor Bearing (2)	2131-97	20A	Inlet Bushing Screen	5RA-61
• 4	Vane Packet (set of 6 Vanes) (yellow)	2131-42A-6	20B	Inlet Parts Kit	2135-K303
5	Rotor	2131-53	1A	Washer	---
6	Rear Rotor Bearing Retainer	2131-6	1B	Inlet Bushing Seal	---
6A	Silencer		1C	Tilt Valve Spring	---
	for 2131QT	2131QT-311	1D	Tilt Valve	---
	for 2131PSP and 2131C	2131S-311	1E	Tilt Valve Seat	---
• 7	Motor Gasket	2131-283	1F	Tilt Valve Seat Support	---
8	Anvil Assembly (with Ring-Type Retainer for 2131QT and 2131C)	231B-A626	1G	Tilt Valve Seat Retainer	---
	• 27		Inlet Retainer Clip	2131-57	
	• 28		Trigger Assembly	2131-A93	
• 9	Socket Retainer Ring	2135-425	2A	Trigger O-ring	---
• 10	Socket Retainer O-ring	R1A-159	30	Reverse Valve Assembly	2131-A329
*	Anvil Assembly (with Pin-Type Retainer for 2131PSP)	231B-A726	3A	Reverse Valve O-ring (top)	---
	• 3B		Reverse Valve O-ring (bottom) (blue)	---	
*	Socket Retainer Plunger	804-716	33	Button Kit	
11	Socket Retainer Spring	SUHD-718		for 2131QT	SN2131-K75
	Hammer Case Screw (4)	2131-638		for 2131PSP and 2131C	2131-K75
	Hammer Frame Assembly	2131-A703	4A	Forward Button	---
12	Hammer Frame	2131-703	4B	Reverse Button	---
13	Hammer Pin (2)	2131-704	35	Power Management Assembly	2131-A249
14	Hammer (2)	231XP-724	5A	Power Management Dial Seal	---
15	Hammer Case Assembly		*	Inlet Clip Removal Tool	2131-322
	for 2131QT and 2131C	2131A-A727	37	Silencer (2) (for 2131PSP and 2131C)	2131S-310
16	for 2131PSP	2131PSP-D727	*	ATEX Label (for 2131PSP)	ATEX-IMPACTOOL-99
	Hammer Case Bushing		*	Grease (1 lb) (for external lubrication of the impact mechanism)	115-1LB
	for 2131QT and 2131C	2131A-941			
	for 2131PSP	2131SP-941	*	Grease (for lubrication when disassembling and assembling the impact mechanism)	
17	Hammer Case Grease Fitting	DOF9-879		1 lb	105-1LB
• 18	Hammer Case Gasket	2131-36		8 lb	105-8LB
19	Housing Assembly		*	Protective Cover	2131-P32
	for 2131C	2131C-A40	*	Grease Gun	R000A2-228
	for 2131QT	2131QT-D40	*	Grip (for 2131QT)	231H-P32H-Grip
	for 2131PSP	2131PSP-A40			
19A	Nameplate				
	for 2131QT	2131QT-301			
	for 2131PSP and 2131C	2131PSP-301			
19B	Housing Label				
	for 2131C	2131C-300			
	for 2131QT	2131-300			
	for 2131PSP	2131PSP-300			

\* Not illustrated.

• To keep downtime to a minimum, it is desirable to have on hand certain repair parts. We recommend that you stock one (pair or set) of each part indicated by a Bullet (•) for every four tools in service.

## Parts and Maintenance

When the life of the tool has expired, it is recommended that the tool be disassembled, degreased and parts be separated by material so that they can be recycled.

Tool repair and maintenance should only be carried out by an authorized Service Center.

Refer all communications to the nearest **Ingersoll Rand** Office or Distributor.

## Related Documentation

For additional information refer to:

Air Impact Wrench Product Safety Information Manual Form 04580916.

Air Impact Wrench Product Information Manual Form 04584686.

Air Impact Wrench Maintenance Information Manual Form 04584017.

Manuals can be downloaded from [www.ingersollrandproducts.com](http://www.ingersollrandproducts.com).

