



CAT330

CORNWELL® bluePOWER®
3" Pad 3/32" Orbital Sander

OPERATING MANUAL • WARNING INFORMATION • PARTS LIST



SPECIFICATIONS

Pad Size	3"
Random Orbit Size.....	3/32"
Free Speed	12,000 RPM
Horse Power	0.3 HP
Spindle Threads.....	1/4"-20
Air Consumption	2.4 CFM
Inlet Size	1/4" NPT
Recommended Hose Size	3/8" I.D.
Height w/ pad.....	3-1/2"
Weight w/ pad	1.3 lbs.
Sound Pressure Level.....	81.2
Vibration Level	4.14 m/s ²

⚠ WARNING

Some dust created by power sanding, sawing, grinding, drilling, and other construction activities contains chemicals known to cause cancer, birth defects or other reproductive harm. Some examples of these chemicals are:

- lead from lead-based paints,
- crystalline silica from bricks and cement and other masonry products, and
- arsenic and chromium from chemically-treated lumber.

Your risk from these exposures varies, depending on how often you do this type of work. To reduce your exposure to these chemicals: work in a well ventilated area, and work with approved safety equipment, such as those dust masks that are specially designed to filter out microscopic particles.

⚠ WARNING

- **MAX. AIR PRESSURE: 90 PSIG, 6.2 BAR**



RPM OF THE ACCESSORY MUST EXCEED TOOL RPM



ALWAYS READ INSTRUCTIONS BEFORE USING POWER TOOLS



ALWAYS WEAR SAFETY GOGGLES



ALWAYS WEAR HEARING PROTECTION



ALWAYS WEAR FACE PROTECTION



ALWAYS WEAR HAND PROTECTION



AVOID PROLONGED EXPOSURE TO VIBRATION

FAILURE TO OBSERVE THESE WARNINGS COULD RESULT IN INJURY

THIS INSTRUCTION MANUAL CONTAINS IMPORTANT SAFETY INFORMATION.

READ THIS INSTRUCTION MANUAL CAREFULLY AND UNDERSTAND ALL INFORMATION BEFORE OPERATING THIS TOOL.



- Read and understand all instructions. Failure to follow all instructions listed below, may result in electric shock, fire, explosion and/or serious personal injury. It is the responsibility of the owner to make sure all personnel read this manual prior to using the tool. It is also the responsibility of the tool owner to keep this manual intact and in a convenient location for all to see and read. If the manual or product labels are lost or not legible, contact Cornwell Tools for replacements. If the operator is not fluent in English, the product and safety instructions shall be read and discussed with the operator in the operator's native language by the purchaser/owner or his designee, making sure that the operator comprehends its contents.

- Always operate, inspect and maintain this tool in accordance with American National Standards Institute Safety Code of Portable Air Tools (ANSI B186.1) and any other applicable safety codes and regulations.

- For safety, top performance and maximum durability of parts, operate this tool at 90 psig; 6.2 bar max air pressure with 3/8" diameter air supply hose.

- Always wear safety goggles and breathing apparatus (users & bystanders).

- To reduce exposure to sanding debris, work in a well ventilated area with proper personal protection equipment.

- High sound levels can cause permanent hearing loss. Always use hearing protection as recommended by your employer an OSHA regulations while using this tool (users and bystanders).

- Keep the tool in efficient operating condition.

- Operators and maintenance personnel must be physically able to handle the bulk, weight and power of this tool.

- Air under pressure can cause severe injury. Never direct air at yourself or others. Always turn off the air supply, drain hose of air pressure and detach tool from air supply before installing, removing or adjusting any accessory on this tool, or before performing any maintenance on this tool. Failure to do so could result in injury. Whip hoses can cause serious injury. Always check for damaged, frayed or loose hoses and fittings, and replace immediately. Do not use quick detach couplings at tool. See instructions for correct set-up.

- Keep tool out of reach of children.

- Air powered tools can vibrate in use. Vibration, repetitive motions or uncomfortable positions over extended periods of time may be harmful to your hands and arms. Discontinue use of tool if discomfort, tingling feeling or pain occurs. Seek medical advice before resuming use.

- Slipping, tripping and/or falling while operating air tools can be a major cause of serious injury or death. Be aware of excess hose left on the walking or work surface.

- Keep body working stance balanced and firm. Do not overreach when operating the tool.

- Do not point or indulge in any horseplay with this tool.

- Note direction of rotation BEFORE operating this tool.

- Anticipate and be alert for sudden changes in motion during start up and operation of any power tool.

- Do not carry tool by the hose. Protect the hose from sharp objects and heat.

- Tool shaft may continue to rotate briefly after throttle is released. Avoid direct contact with accessories during and after use. Gloves will reduce the risk of cuts or burns.

- Keep away from rotating end of tool. Do not wear jewelry or loose clothing. Scalping can occur if hair is not kept away from tool and accessories. Choking can occur if neckwear is not kept away from tool and accessories.

- Sanding against sharp corners may damage the pad, rendering it useless.

- **Do not lock, tape or wire the "on/off" lever in the "on" position, as the lever must be free to return to the "off" position when released.**

- Do not use (or modify) the tool for any other purpose than that for which it was designed without consulting the manufacturer's authorized representative.

- Use only a sanding pad & sandpaper with this tool. Do not use any grinding wheel, burr or metal removing accessory with this tool.

- **Ensure the MAX rating (RPM) of the sanding accessories is higher than the tools rated RPM.**

- Use accessories recommended by Cornwell Tools.

- Do not lubricate tools with flammable or volatile liquids such as kerosene, diesel or jet fuel.

- This tool is not insulated against electric shock.

- This tool must not be used in explosive atmospheres.

- Servicing and repairs should only be made by an authorized service center.

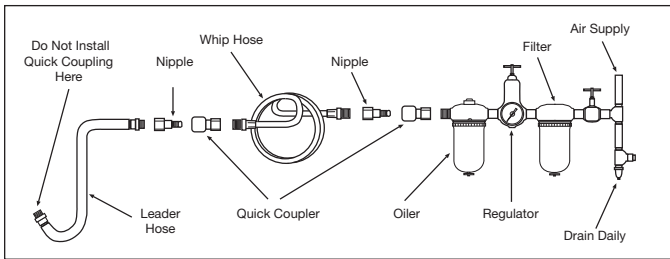
- Do not force tool beyond its rated capacity.

- Do not remove any labels. Replace damaged labels.

- Failure to heed these warnings may result in personal injury and/or property damage.



WARNING: This product can expose you to chemicals including nickel, which is known to the State of California to cause cancer and birth defects or other reproductive harm. For more information go to www.P65Warnings.ca.gov.



AIR SUPPLY

Tools operate on a wide range of air pressures. It is recommended that air pressure measures 90 psig at the tool with the trigger fully depressed and no load applied to the tool. Higher pressure (over 90 psig; 6.2 bar) raises performance beyond the rated capacity of the tool, which will shorten tool life and could cause injury.

Always use clean, dry air. Dust, corrosive fumes and/or water in the air line will cause damage to the tool. Drain water from air lines and compressor prior to running tool. Clean the air inlet filter screen weekly. The recommended hookup procedure can be viewed in the above figure.

The air inlet used for connecting air supply has standard 1/4" NPT. Line pressure should be increased to compensate for unusually long air hoses (over 25 feet). Minimum hose diameter should be 3/8" I.D. and fittings should have the same inside dimensions and be tightly secured.

Always turn off the air supply, drain hose of air pressure and detach tool from air supply before installing, removing or adjusting any part of accessory on this tool, or before performing any maintenance on this tool.

Ensure an accessible emergency shut off valve has been installed in the air supply line and make others aware of its location.

LUBRICATION

Lubricate the air motor daily with high quality air tool oil. If no air line oiler is used, run 1/2 oz. of oil through the tool. The oil can be squirted into the tool air inlet or into the hose at the nearest connection to the air supply, then run the tool. A rust inhibitive oil is acceptable for air tools.

WARNING: After an air tool has been lubricated, oil will discharge through the exhaust port during the first few seconds of operation. The exhaust port must be covered with a towel before applying air pressure to prevent serious injury.

TROUBLESHOOTING

Other factors outside the tool may cause loss of power or erratic action. Reduced compressor output, excessive drain on the air line, moisture or restrictions in air pipes or the use of hose connections of improper size or poor conditions may reduce air supply. Grit or gum deposits in the tool may cut power and may be corrected by cleaning the air strainer and flushing out the tool with gum solvent oil or an equal mixture of SAE #10 and kerosene. If outside conditions are in order, disconnect tool from hose and take tool to your nearest authorized service center.

OPERATION

OPERATION NOTE: Always shut off air supply, drain hose of air pressure and disconnect tool from air supply when not in use, before changing accessories or when making repairs.

NOTE: Before using, test cut-off wheel by briefly running the tool at full throttle under a barrier (such as under a heavy work table) to stop any possible broken wheel parts.

Select a suitable abrasive disc and make sure that it is fixed securely to the pad. Connect a suitable air supply as recommended in Figure 1. The air inlet on this tool has a standard 1/4" NPT thread. After mounting sandpaper, start this Sander under a bench in order to make sure sandpaper is firmly attached. Set the sander down on the work evenly and move it slowly back & forth in wide, overlapping areas. Additional pressure may be used to make more efficient use of the tool when material to be sanded is thick. Lighter pressure may be used in delicate sanding or when using edges of sanding pad. When finished sanding, lift it off the work before stopping the motor.

Take great care when sanding around sharp edges and surfaces to avoid disc snagging, i.e. the disc may be brought to an abrupt stop or considerably slowed which will cause the tool to kick in the operator's hands. It is always recommended to use safety gloves and safety glasses. The sanding of certain materials may create a hazardous dust which may require special breathing equipment. Check before using the tool. It is recommended to use proper breathing equipment while sanding. Even if the tool has a low noise level, the actual sanding process may cause a noise level such that ear protection should be used. It is recommended that ear protection be used while sanding.

Do not continue to use abrasive discs that are worn or clogged. This will make the sanding process inefficient and increases the need to apply unnecessarily high forces to the tool. Do not use oversized or undersized sanding discs. The disc should be no more than 1/4" larger in diameter than the pad and never be smaller than the pad size.

An air regulator is located on the side of the tool housing. It can be used to vary the volume of compressed air fed to the motor which will vary the speed of the sander.

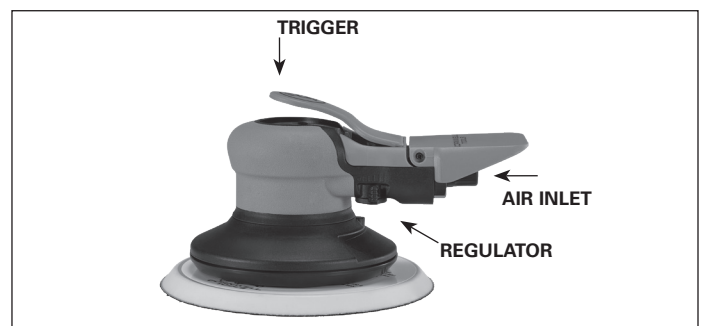


FIG. 2



CAT330

CORNWELL® bluePOWER®
3" Pad 3/32" Orbital Sander

WARRANTY COVERAGE

Cornwell Quality Tools Company ("Cornwell") warrants this product against defects in material and workmanship for a period of TWO (2) YEAR from the date of original retail purchase. Subject to the conditions and limitations set forth below, Cornwell will, at its option, either repair or replace any part of the product(s) that proves defective by reason of improper workmanship or materials.

This warranty does not cover any damage to this product that results from accident, abuse, misuse, natural or personal disaster, or any unauthorized disassembly, repair, or modification. Repairs, disassembly and modification are only authorized to be made by Cornwell or a Cornwell Authorized Warranty Center.

WARRANTY SERVICE

In order to have your tool repaired, return the tool to any Cornwell Authorized Warranty Center, freight prepaid. Please include a copy of your proof of purchase and a brief description of the problem. The tool will be inspected and if any part or parts are found to be defective in material or workmanship, they will be repaired free of charge, and the repaired tool will be returned to you freight prepaid.

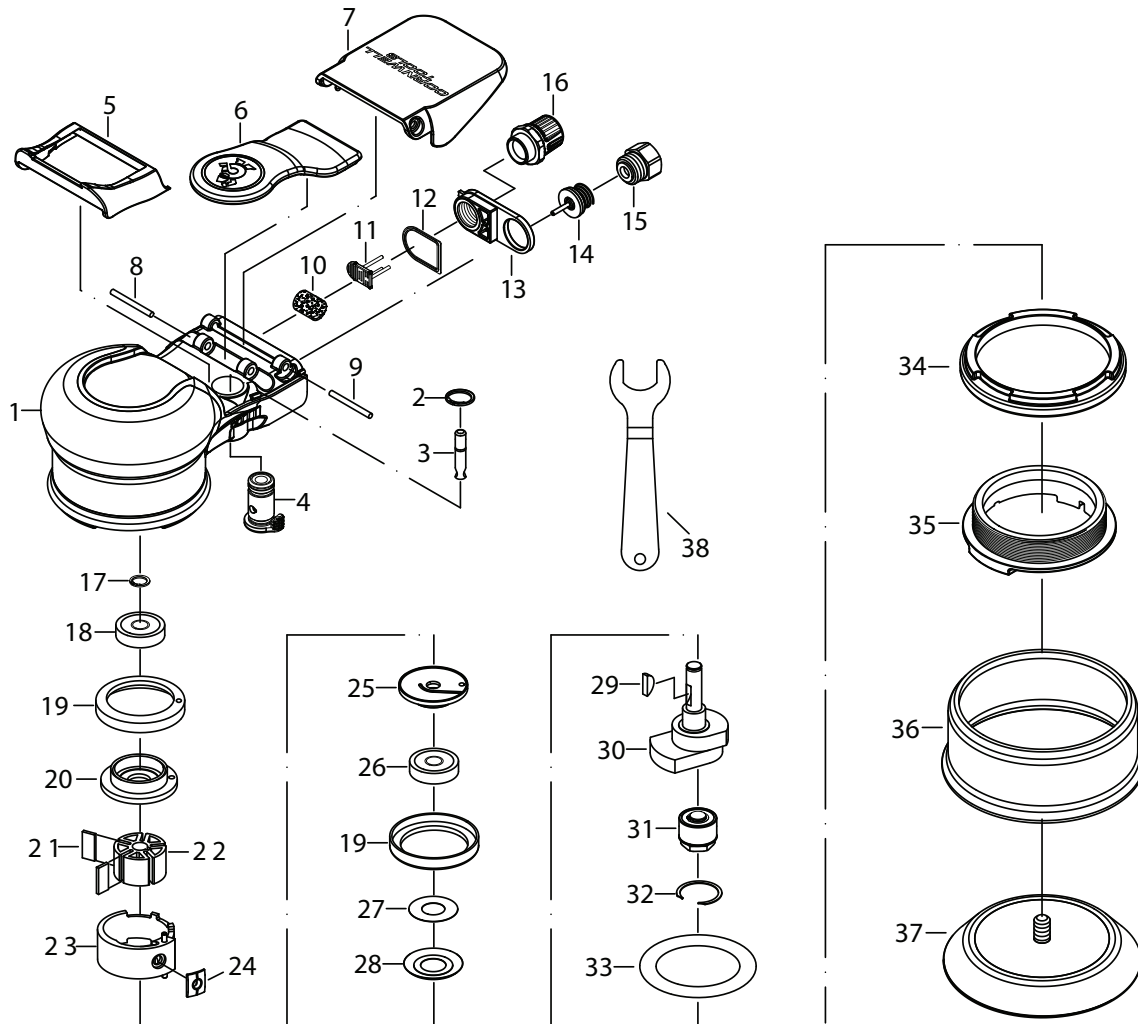
EXCLUSIONS AND LIMITATIONS

THIS WARRANTY AND THE REMEDIES SET FORTH ABOVE ARE EXCLUSIVE AND IN LIEU OF ALL OTHER WARRANTIES, REMEDIES AND CONDITIONS, WHETHER ORAL OR WRITTEN, EXPRESS OR IMPLIED. CORNWELL SPECIFICALLY DISCLAIMS ANY AND ALL IMPLIED WARRANTIES, INCLUDING, TO THE EXTENT PERMITTED BY APPLICABLE LAW, ANY WARRANTIES OF MERCHANTABILITY AND FITNESS FOR A PARTICULAR PURPOSE. IF CORNWELL CANNOT LAWFULLY DISCLAIM IMPLIED WARRANTIES UNDER THIS LIMITED WARRANTY, ALL SUCH IMPLIED WARRANTIES ARE LIMITED IN DURATION TO THE DURATION OF THIS WARRANTY.

IN NO EVENT SHALL CORNWELL BE LIABLE TO THE PURCHASER OR TO THE USER OF A CORNWELL PRODUCT FOR ANY SPECIAL, INCIDENTAL OR CONSEQUENTIAL DAMAGES BASED UPON BREACH OF WARRANTY, BREACH OF CONTRACT, NEGLIGENCE, TORT, OR ANY OTHER LEGAL THEORY. SUCH DAMAGES INCLUDE, WITHOUT LIMITATION, EXPENSES, LOST REVENUES, LOST SAVINGS, LOST PROFITS, OR ANY OTHER INCIDENTAL OR CONSEQUENTIAL DAMAGES ARISING FROM THE PURCHASE, USE OR INABILITY TO USE THE CORNWELL PRODUCT.

Some states do not allow the exclusion or limitation of incidental or consequential damages or exclusions or limitation on the duration of implied warranties or conditions, so the above limitations or exclusions may not apply to you. This warranty gives you specific legal rights, and you may also have other rights that vary by state.

Repair kits and replacement parts are available for many Cornwell products, regardless of whether or not the product is still covered by a warranty plan.

EXPLODED VIEW AND PARTS LIST


Item	Part No	Parts Name	Qty
1	RS33001A	HOUSING	1
2	RS33002	SNAP RING	1
3	RS33003	VALVE STEM SET	1
4	RS33004	REGULATOR SET	1
5	RS33005	HOUSING FRONT COVER	1
6	RS33006	LEVER	1
7	RS33007	HOUSING REAR COVER	1
8	RS251607	PIN	1
9	RS251608	PIN	1
10	RS316038	SILENCER	1
11	RS251609	MUFFLER	1
12	RS251610	PACKING	1
13	RS251611	EXHAUST SLEEVE	1
14	RS251612	VALVE SET	1
15	RS251613	AIR INLET	1
16	RS33016	MUFFLER BODY SET	1
17	RS246016	SNAP RING	1
18	RS10920	BEARING (6000ZZ)	1
19	RS233216	RUBBER BUSHING (EACH)	2
20	RS115113	REAR PLATE	1

Item	Part No	Parts Name	Qty
21	RS246019A	ROTOR BLADE (EACH)	5
22	RS233221	ROTOR	1
23	RS115116	CYLINDER SET	1
24	RS233224	BUSHING	1
25	RS115118	FRONT PLATE	1
26	RS115119	BEARING (6002ZZ)	1
27	RS316024A	WASHER	1
28	RS233229	WASHER	1
29	RS316026	ROTOR KEY	1
30	RS2325029	MOTOR SHAFT BALANCER (3", 3/32")	1
31	RS115324	SHAFT SET	1
32	RS115325	SNAP RING	1
33	RS233238	WASHER	1
34	RS253301B	HOUSING COVER	1
35	RS251616	LOCK NUT	1
36	RS253302	SHROUD	1
37	RS115329	PAD HOOK-UP	1
38	RS233242	STOP SPANNER	1
not shown	RSCAT330PWL	Product Warning Label	1