



CAT300

CORNWELL® bluePOWER®

Mini 2" Angle Grinder

OPERATING MANUAL • WARNING INFORMATION • PARTS LIST



! WARNING

Some dust created by power sanding, sawing, grinding, drilling, and other construction activities contains chemicals known to cause cancer, birth defects or other reproductive harm. Some examples of these chemicals are:

- lead from lead-based paints,
- crystalline silica from bricks and cement and other masonry products, and
- arsenic and chromium from chemically-treated lumber.

Your risk from these exposures varies, depending on how often you do this type of work. To reduce your exposure to these chemicals: work in a well ventilated area, and work with approved safety equipment, such as those dust masks that are specially designed to filter out microscopic particles.

! WARNING

- MAXIMUM RPM OF 18,000
- MAX. AIR PRESSURE: 90 PSIG, 6.2 BAR



RPM OF THE ACCESSORY MUST EXCEED TOOL RPM



ALWAYS READ INSTRUCTIONS BEFORE USING POWER TOOLS



ALWAYS WEAR SAFETY GOGGLES



ALWAYS WEAR HEARING PROTECTION



ALWAYS WEAR FACE PROTECTION



ALWAYS WEAR HAND PROTECTION



AVOID PROLONGED EXPOSURE TO VIBRATION

SPECIFICATIONS

Horsepower	0.3
Free Speed	18,000 RPM
Wheel Size	2.5"
Spindle Thread	3/8"-24UNF
Length	5.08"
Weight	1.17 Lbs.
Sound Level	86.8 dBA
Vibration Level	1.9 m/s ²
Recommended Air Pressure	90 PSI
Air Inlet Size	1/4" NPT
Recommended Hose Size	3/8" I.D.
Average Air Consumption3 CFM

FAILURE TO OBSERVE THESE WARNINGS COULD RESULT IN INJURY

THIS INSTRUCTION MANUAL CONTAINS IMPORTANT SAFETY INFORMATION.



READ THIS INSTRUCTION MANUAL CAREFULLY AND UNDERSTAND ALL INFORMATION BEFORE OPERATING THIS TOOL.

- It is the responsibility of the owner to make sure all personnel read this manual prior to using the device. It is also the responsibility of the device owner to keep this manual intact and in a convenient location for all to see and read. If the manual or product labels are lost or not legible, contact Cornwell for replacements. If the operator is not fluent in English, the product and safety instructions shall be read and discussed with the operator in the operator's native language by the purchaser/owner or his designee, making sure that the operator comprehends its contents.



- Always operate, inspect and maintain this tool in accordance with American National Standards Institute Safety Code for Portable Air Tools (ANSI B186.1) and any other applicable safety codes and regulations.



- For safety, top performance and maximum durability of parts, operate this tool at 90 psig; 6.2 bar max air pressure with 3/8" diameter air supply hose.



- Always wear impact resistant eye & face protection (users & bystanders) when operating or performing maintenance on this tool.



- Always wear hearing protection when using this tool (users & bystanders). High sound levels can cause permanent hearing loss. Use hearing protection as recommended by your employer or OSHA regulation.



- Keep the tool in efficient operating condition.

- Operators and maintenance personnel must be physically able to handle the bulk, weight and power of this tool.



- Air powered tools can vibrate during use. Extended exposure to vibration, repetitive motions or uncomfortable positions during use may be harmful to your hands and arms. Discontinue use of tool if discomfort, tingling feeling or pain occurs. Seek medical advice before resuming use.



- Compressed air can cause severe injury. Never direct air at yourself or others. Always turn off the air supply, drain hose of air pressure and detach tool from air supply before installing, removing or adjusting any part or accessory on this tool, or before performing any maintenance on this tool. Failure to do so could result in injury.



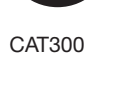
- Whip hoses can cause serious injury. Always check for and replace immediately any damaged, frayed or loose hoses and fittings.



- Place the tool on the work before starting the tool. Do not point or indulge in any horseplay with this tool.



- Slipping, tripping and/or falling while operating air tools can be a major cause of serious injury or death. Be aware of excess hose left on walking or work surface.



- Keep body working stance balanced and firm. Do not overreach when operating this tool.

- Anticipate and be alert for sudden changes in motion during use of any power tool.

- Do not carry tool by hose. Protect the hose from sharp objects and heat.

- Note direction of rotation BEFORE operating this tool.



- Tool shaft may continue to rotate briefly after throttle is released. Avoid direct contact with accessories during and after use. Gloves will reduce the risk of cuts or burns.



- Keep away from rotating end of tool. Do not wear jewelry or loose clothing. Secure long hair. Scalping can occur if hair is not kept away from tool and accessories. Choking can occur if neckwear is not kept away from tool and accessories.



- Use only approved replacement parts and accessories recommended by Cornwell.

- Do not operate a damaged or worn tool. Do not use quick-detach couplings at tool. See instructions for correct set-up.

- Daily measure the Grinder speed with a tachometer to make sure its not greater than the RPM marked on the grinding wheel. **NEVER USE A GRINDING WHEEL MARKED WITH A HIGHER SPEED LOWER THAN THE GRINDER SPEED.**

- **RPM OF THE ACCESSORY MUST EXCEED TOOL RPM. Use accessories rated at 25,000 RPM or higher.**

- **Never mount a cut off wheel, router cutter or drill bit on grinder.**

- **Correct grinding wheel mounting is necessary to prevent injury from broken wheels. Do not use chipped or cracked grinding wheels. Grinding wheels should be a free fit on the spindle to prevent stress at the hole. Use only wheel collars that come with the Grinder for mounting the grinding wheel. Flat washers or other adapters may over stress the wheel. Always use heavy paper blotter discs between the wheel collar and the grinding wheel. Tighten the wheel on the spindle to prevent spin off when the Grinder is turned off.**

- **Always use the required wheel guard to prevent injury from broken grinding wheel parts. If a guard has withstood a wheel breakage, discontinue its use and replace it with a new guard, as it could be damaged.** Position the guard between the grinding wheel and the operator. Use barriers to protect others from wheel fragments and grinding sparks.

- Do not lock, tape or wire the "on/off" safety lever in the "on" position, as the lever must be free to return to the "off" position when released.

- NOTE: During operation, safety goggles should always be worn to guard against flying debris (users & bystanders).

- Do not lubricate tools with flammable or volatile liquids such as kerosene, diesel or jet fuel.

- Do not force tool beyond its rated capacity.

- Do not remove any labels. Replace damaged labels.

- This tool is not insulated against electric shock.

- Keep tool out of reach of children.

- This tool must not be used in explosive atmospheres.

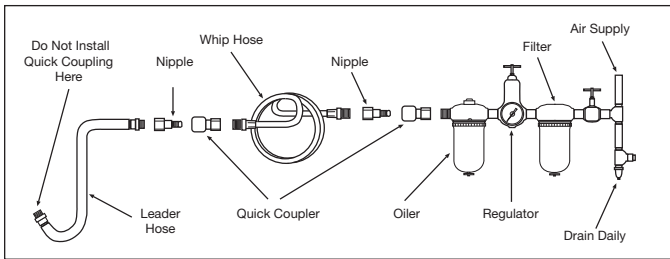
- Do not use (or modify) the tool for any other purpose than that for which it was designed without consulting the manufacturer's authorized representative.

- Servicing and repairs should only be made by an authorized service center.

- Failure to heed these warnings may result in personal injury and/or property damage.

WARNING: This product can expose you to chemicals including nickel, which is known to the State of California to cause cancer and birth defects or other reproductive harm. For more information go to www.P65Warnings.ca.gov.





AIR SUPPLY

Tools operate on a wide range of air pressures. It is recommended that air pressure measures 90 psig at the tool with the trigger fully depressed and no load applied to the tool. Higher pressure (over 90 psig; 6.2 bar) raises performance beyond the rated capacity of the tool, which will shorten tool life and could cause injury.

Always use clean, dry air. Dust, corrosive fumes and/or water in the air line will cause damage to the tool. Drain water from air lines and compressor prior to running tool. Clean the air inlet filter screen weekly. The recommended hookup procedure can be viewed in the above figure.

The air inlet used for connecting air supply has standard 1/4" NPT. Line pressure should be increased to compensate for unusually long air hoses (over 25 feet). Minimum hose diameter should be 3/8" I.D. and fittings should have the same inside dimensions and be tightly secured.

Always turn off the air supply, drain hose of air pressure and detach tool from air supply before installing, removing or adjusting any part of accessory on this tool, or before performing any maintenance on this tool.

Ensure an accessible emergency shut off valve has been installed in the air supply line and make others aware of its location.

LUBRICATION

Lubricate the air motor daily with high quality air tool oil. If no air line oiler is used, run 1/2 oz. of oil through the tool. The oil can be squirted into the tool air inlet or into the hose at the nearest connection to the air supply, then run the tool. A rust inhibitive oil is acceptable for air tools.

WARNING: After an air tool has been lubricated, oil will discharge through the exhaust port during the first few seconds of operation. The exhaust port must be covered with a towel before applying air pressure to prevent serious injury.

TROUBLESHOOTING

Other factors outside the tool may cause loss of power or erratic action. Reduced compressor output, excessive drain on the air line, moisture or restrictions in air pipes or the use of hose connections of improper size or poor conditions may reduce air supply. Grit or gum deposits in the tool may cut power and may be corrected by cleaning the air strainer and flushing out the tool with gum solvent oil or an equal mixture of SAE #10 and kerosene. If outside conditions are in order, disconnect tool from hose and take tool to your nearest authorized service center.

OPERATION

OPERATION NOTE: Always shut off air supply, drain hose of air pressure and disconnect tool from air supply when not in use, before changing accessories or when making repairs.

NOTE: Before using, test grinder wheel by briefly running the tool at full throttle under a barrier (such as under a heavy work table) to stop any possible broken wheel parts.

Always use the required wheel guard to prevent injury from broken cutting parts. **If a guard has withstood a wheel breakage, discontinue its use and replace it with a new guard.** It may be damaged. Position the guard between the grinder wheel and the operator. Use barriers to protect others from wheel fragments and sparks.



Always wear impact-resistant eye and face protection to guard against flying rust and chips (users and bystanders).



Even small projectiles can injure eyes and cause blindness. A grinder wheel that breaks can cause very serious injury. Daily measure the tool speed with a tachometer to make sure the speed is not greater than the RPM marked on the grinder wheel. **Never use a grinder wheel marked with a speed lower than the tool speed.**



When using the grinder, be careful not to exert excessive force. Too much force could be hazardous if it causes the tool spindle to bend or break. The burning of the work piece or excessive speed reduction indicates too much force being applied. Start the tool off the work, set it down on the work evenly and move in the direction desired to grind. When finished grinding, lift off the work before stopping the motor.

WARNING: Correct grinder wheel mounting is necessary to prevent injury from broken wheels. Do not use chipped or cracked cut-off wheels. Grinder wheels should be a free fit on the spindle to prevent stress at the hole. Use only wheel collars that come with the tool for mounting the grinder wheel. Flat washers or other adapters may over stress the wheel. Tighten the wheel on the spindle to prevent spin off when the tool is turned off.



WARNING: NEVER OPERATE THIS TOOL WITHOUT REQUIRED DISC COVER/GUARD IN PLACE.

Ensure an accessible emergency shut off valve has been installed in the air supply line and make others aware of its location.

To Assemble Grinding Wheel:

1. Use #37 wrench to hold #31 Disc Flange
2. Use #38 spanner wrench to remove #32 Flange Nut
3. Place grinding wheel onto #28 Spindle and re-assemble



CAT300

CORNWELL® bluePOWER®

Mini 2" Angle Grinder

WARRANTY COVERAGE

Cornwell Quality Tools Company ("Cornwell") warrants this product against defects in material and workmanship for a period of ONE (1) YEAR from the date of original retail purchase. Subject to the conditions and limitations set forth below, Cornwell will, at its option, either repair or replace any part of the product(s) that proves defective by reason of improper workmanship or materials.

This warranty does not cover any damage to this product that results from accident, abuse, misuse, natural or personal disaster, or any unauthorized disassembly, repair, or modification. Repairs, disassembly and modification are only authorized to be made by Cornwell or a Cornwell Authorized Warranty Center.

WARRANTY SERVICE

In order to have your tool repaired, return the tool to any Cornwell Authorized Warranty Center, freight prepaid. Please include a copy of your proof of purchase and a brief description of the problem. The tool will be inspected and if any part or parts are found to be defective in material or workmanship, they will be repaired free of charge, and the repaired tool will be returned to you freight prepaid.

EXCLUSIONS AND LIMITATIONS

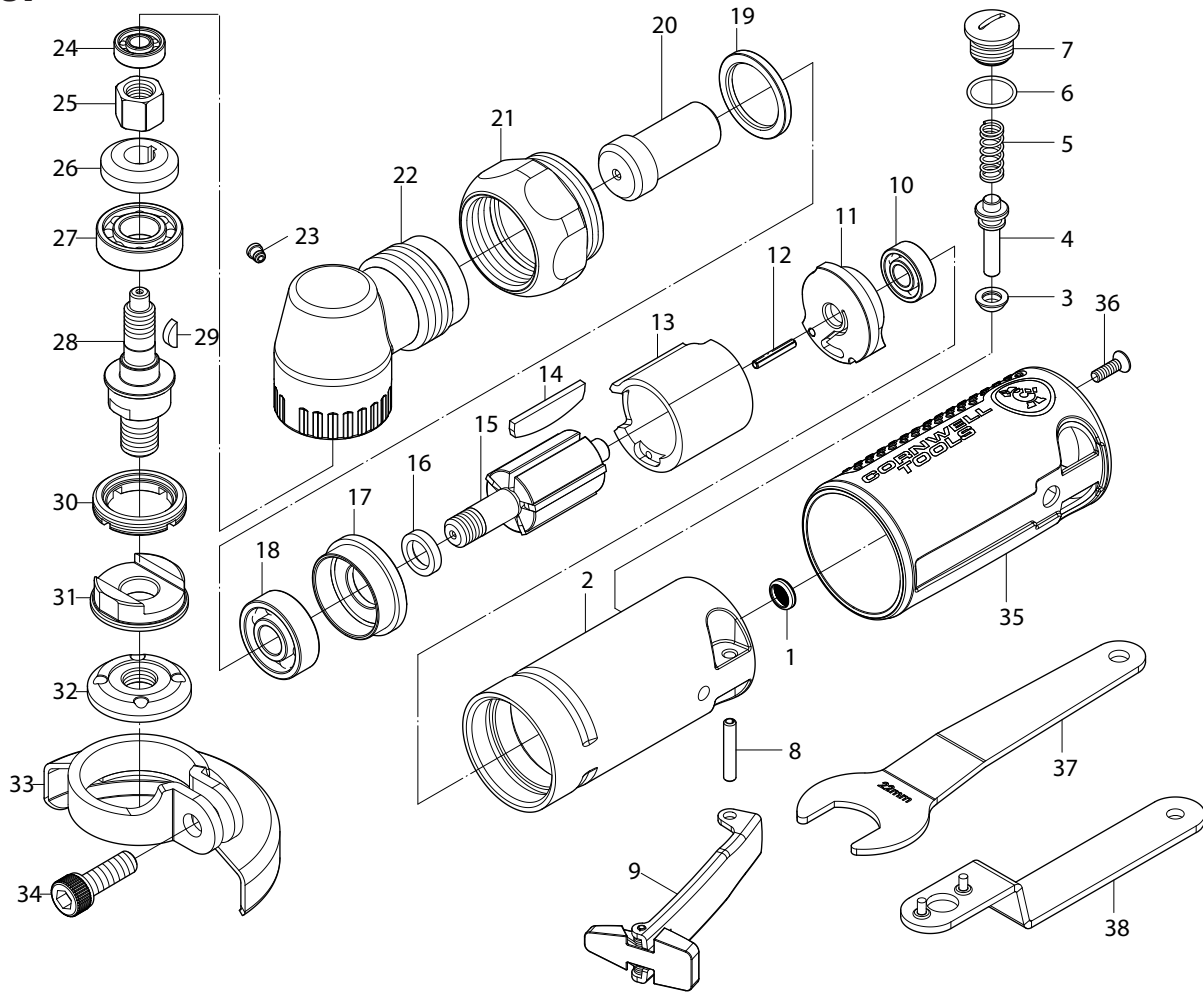
THIS WARRANTY AND THE REMEDIES SET FORTH ABOVE ARE EXCLUSIVE AND IN LIEU OF ALL OTHER WARRANTIES, REMEDIES AND CONDITIONS, WHETHER ORAL OR WRITTEN, EXPRESS OR IMPLIED. CORNWELL SPECIFICALLY DISCLAIMS ANY AND ALL IMPLIED WARRANTIES, INCLUDING, TO THE EXTENT PERMITTED BY APPLICABLE LAW, ANY WARRANTIES OF MERCHANTABILITY AND FITNESS FOR A PARTICULAR PURPOSE. IF CORNWELL CANNOT LAWFULLY DISCLAIM IMPLIED WARRANTIES UNDER THIS LIMITED WARRANTY, ALL SUCH IMPLIED WARRANTIES ARE LIMITED IN DURATION TO THE DURATION OF THIS WARRANTY.

IN NO EVENT SHALL CORNWELL BE LIABLE TO THE PURCHASER OR TO THE USER OF A CORNWELL PRODUCT FOR ANY SPECIAL, INCIDENTAL OR CONSEQUENTIAL DAMAGES BASED UPON BREACH OF WARRANTY, BREACH OF CONTRACT, NEGLIGENCE, TORT, OR ANY OTHER LEGAL THEORY. SUCH DAMAGES INCLUDE, WITHOUT LIMITATION, EXPENSES, LOST REVENUES, LOST SAVINGS, LOST PROFITS, OR ANY OTHER INCIDENTAL OR CONSEQUENTIAL DAMAGES ARISING FROM THE PURCHASE, USE OR INABILITY TO USE THE CORNWELL PRODUCT.

Some states do not allow the exclusion or limitation of incidental or consequential damages or exclusions or limitation on the duration of implied warranties or conditions, so the above limitations or exclusions may not apply to you. This warranty gives you specific legal rights, and you may also have other rights that vary by state.

Repair kits and replacement parts are available for many Cornwell products, regardless of whether or not the product is still covered by a warranty plan.

PARTS LIST



Item	Part No	Parts Name	Qty
1	RS53501	AIR STRAINER	1
2	RS53502	HOUSING	1
3	RS53503	ANVIL COLLAR	1
4	RS53504	PIN VALVE ROD	1
5	RS53505	SPRING	1
6	RS53506	O-RING	1
7	RS53507	SCREW	1
8	RS53524	SPRING PIN	1
9	RS53525	SAFETY THROTTLE LEVER	1
10	RS53508	BALL BEARING	1
11	RS53509	REAR PLATE	1
12	RS53510	SPRING PIN	1
13	RS53511	CYLINDER	1
14	RS53512	ROTOR BLADES (EACH)	5
15	RS53513	ROTOR	1
16	RS53514	WASHER	1
17	RS53515	FRONT PLATE	1
18	RS53516	BALL BEARING	1
19	RS300219	WASHER	1
20	RS300220	DRIVING GEAR SPINDLE	1

Item	Part No	Parts Name	Qty
21	RS535R18	LOCK NUT	1
22	RS300222	ANGLE HOUSING	1
23	RS533742	OIL DROP	1
24	RS300224	BALL BEARING	1
25	RS300225	LOCK NUT	1
26	RS300226	BEVEL GEAR	1
27	RS300227	BALL BEARING	1
28	RS300228	SPINDLE	1
29	RS300229	KEY	1
30	RS300230	CYLINDER SET SCREW	1
31	RS300231	DISC FLANGE	1
32	RS300232	FLANGE NUT	1
33	RS300233	WHEEL GUARD	1
34	RS80022	SCREW	1
35	RS53522	HOUSING GRIP	1
36	RS53523	SCREW	1
37	RS300337	WRENCH	1
38	RS300338	SPANNER WRENCH	1

not shown RSCAT300PWL PRODUCT WARNING LABEL 1