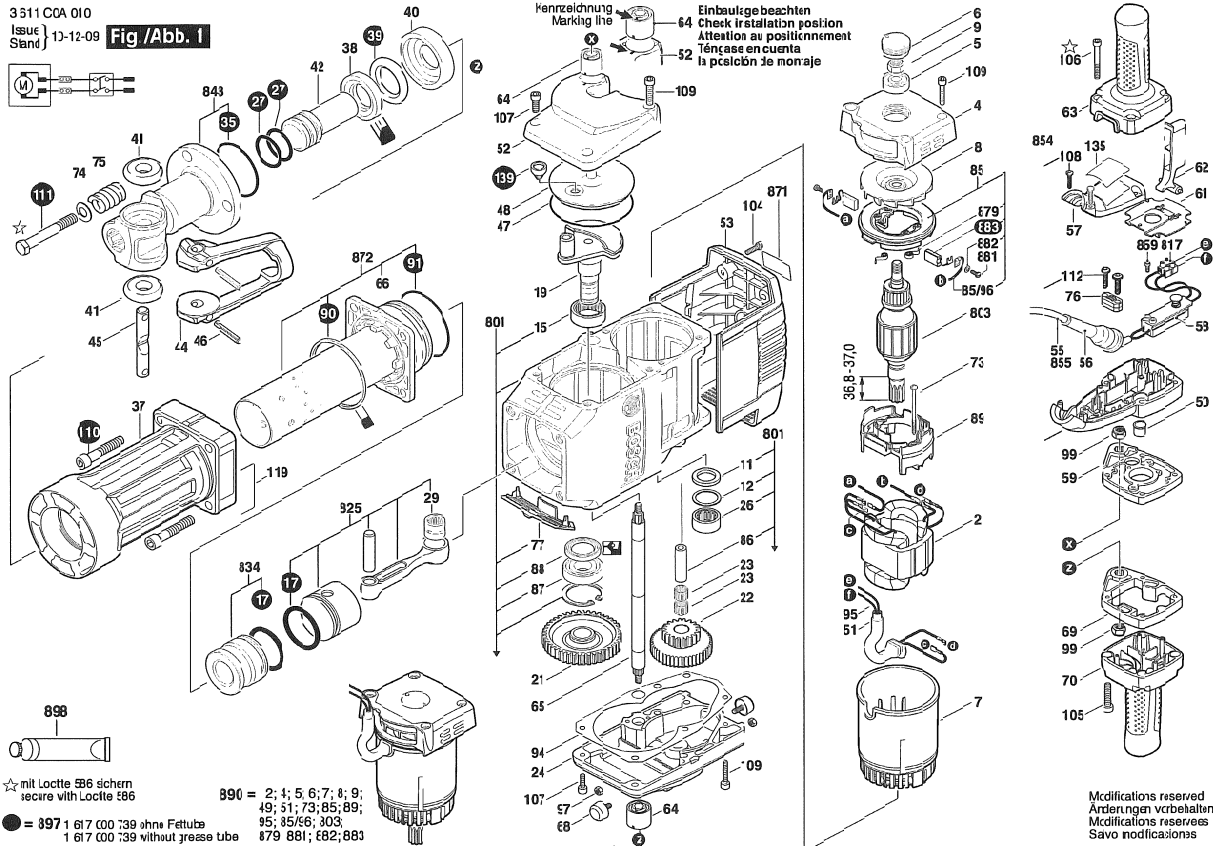


3 311 C0A 010
Issue /
Stand } 11-12-09

Fig /Abb. 1



Date: 9/20/2010

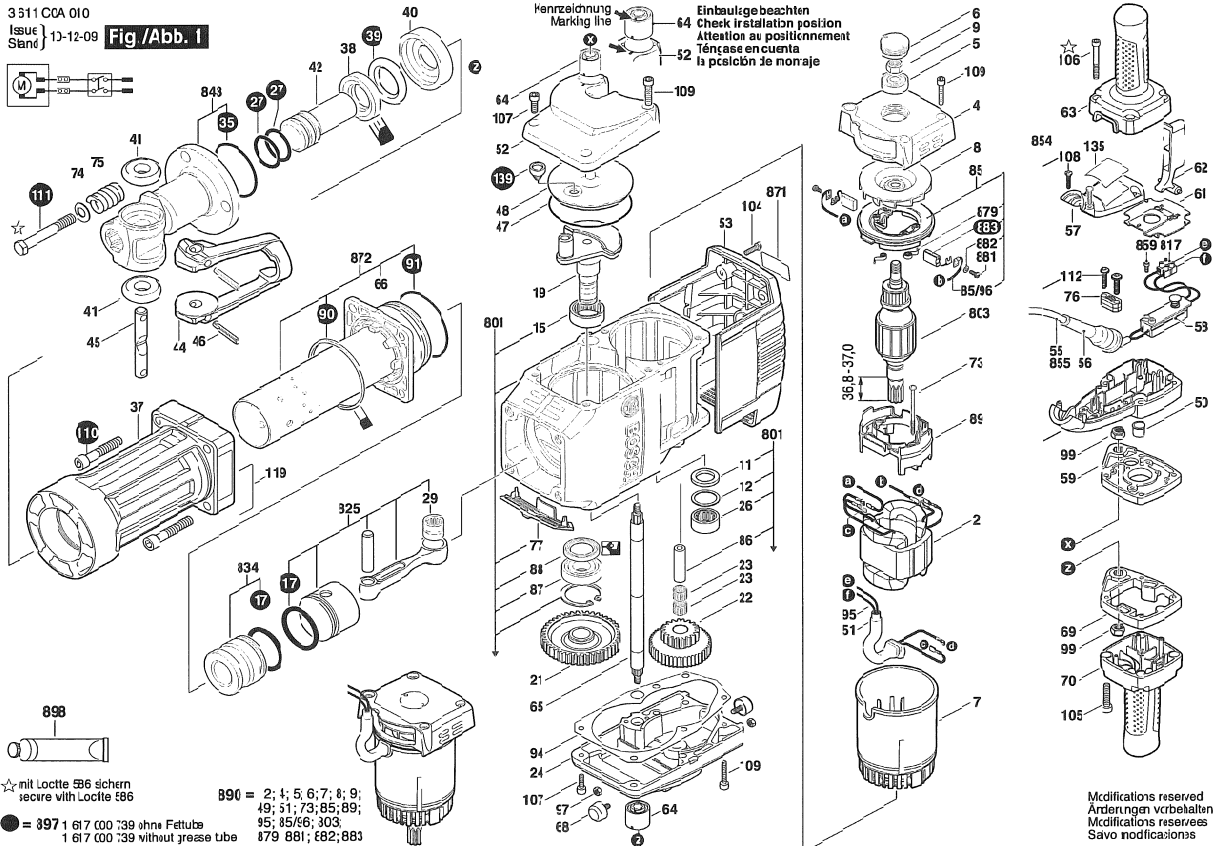
Page: 1 / 2

Item	Pc	Order No.	Description
2	1	1 614 220 206	Field
4	1	1 615 805 076	Bearing cover
5	1	1 610 900 015	Deep-Groove Ball Bearing, Ø12xØ37x12
6	1	1 615 500 214	Screw Plug
7	1	1 615 108 104	Insulating Housing
8	1	1 616 610 091	Fan
9	1	1 613 313 000	Hex Nut, DIN 985-M12X1
11	1	1 610 108 013	Felt Washer
12	1	1 610 102 616	Supporting Disc, Ø37x30x1,0 MM
15	1	1 610 910 091	Needle-Roller Bearing, D35xD47x17
17	2	1 610 210 210	O-Ring
19	1	1 616 110 041	Eccentric Shaft
21	1	1 616 318 009	Cylindrical Gear, Z=45
22	1	1 616 328 036	Cylindrical Gear, Z=19/52
23	2	1 610 913 005	Needle-Roller Assembly
24	1	1 615 500 437	Gear Cover
26	2	1 610 910 092	Needle-Roller Bearing, D25xD37x17
27	2	1 610 210 213	O-Ring
29	1	1 610 910 097	Needle-Roller Bearing
35	1	1 610 210 211	O-Ring
37	1	1 615 806 233	Guide Tube
38	1	1 610 102 094	Supporting Disc
39	1	1 610 290 103	Damping Ring
40	1	1 615 700 061	Intermediate Flange
41	2	1 610 210 008	O-Ring, 17,3x17,7 MM

Item	Pc	Order No.	Description
42	1	1 613 123 014	Striker Pin
44	1	1 618 045 026	Retaining Bracket
45	1	1 613 103 004	Locking Bolt
46	2	2 917 760 187	Clamping Sleeve, 8x55 DIN 1481
47	1	1 900 210 172	O-Ring, 100x3 MM
48	1	1 610 516 017	Sealing cap
50	1	3 600 421 500	Protection Sleeve
51	1	1 610 703 057	Cord guard
52	1	1 615 500 436	Fan Cover
53	1	1 615 500 415	Covering hood
55	1	1 614 461 037	Power supply cord
56	1	1 610 703 011	Grommet
57	1	1 615 500 418	Switch Cover
58	1	1 617 200 124	On-Off Switch
59	1	1 615 700 069	Intermediate Plate
61	1	1 615 700 059	Dust Protection
62	1	1 612 026 153	Switch-Pawl
63	1	1 615 132 124	Handle
64	2	1 616 334 000	Rubber Torsion-Bar
65	1	1 613 060 005	Toothed Shaft
66	1	1 610 290 101	Thrust ring
68	2	1 613 465 001	Rubber Buffer
69	1	1 615 700 070	Intermediate Plate
70	1	1 615 132 125	Handle
73	2	1 603 435 036	Tapping Screw, 4,8x78 MM, TORX T-20

3 611 C0A 010
Issue
Stand 10-12-09

Fig./Abb. 1



Date: 9/20/2010

Page: 2 / 2

Item	Pc	Order No.	Description	Item	Pc	Order No.	Description
74	3	2 916 160 010	Disc Spring	119	1	1 611 110 D82	Warning Plate
75	3	1 614 614 009	Compression Spring	135	1	1 611 110 H20	Reference Plate
76	1	1 611 302 016	Fastening Clamp	139	1	1 610 508 050	Plug
77	1	1 615 500 431	Ventilation Grid	801	1	1 617 000 742	Motor Housing
85	1	1 614 336 045	Brush Holder	803	1	1 614 011 141	Armature
85/96	2	1 614 448 037	Connecting Cable	817	2	1 611 091 006	Terminal, 2-POLE
86	1	1 610 300 033	Bearing bolt	825	1	1 617 000 727	Piston Assembly Group
87	1	1 610 900 027	Deep-Groove Ball Bearing, Ø25xØ52x15	834	1	1 617 000 728	Striker
88	1	1 610 283 016	Rotary shaft lip seal	843	1	1 617 000 729	Toolholder
89	1	1 610 009 008	Spacer	854	1	1 617 000 730	Switch Housing
90	1	1 611 015 061	Rectangular Ring	859	2	2 910 011 088	Socket head cap screw, DIN 84-AM3,5x12-5.8
91	8	1 610 210 212	O-Ring	871	1	1 601 106 035	Nameplate, 26x42 MM
94	1	1 611 015 021	Sealing Plate	872	1	1 617 000 731	Hammer Pipe
95	1	1 614 413 010	Wiring Harness	879	2	1 614 652 001	Spiral Spring
97	2	2 915 011 007	Hex Nut, DIN 934-M6-8-A	881	2	1 613 490 005	Torx Oval-Head Screw
99	2	3 613 313 500	Hex Nut, DIN 985-10-M10x1	882	2	1 610 151 007	Spring Lock Washer
104	4	2 910 141 201	Hex Socket Head Cap Screw, DIN 912-M6x20	883	1	1 617 000 425	Carbon-Brush Set
105	4	2 914 551 188	Microencapsulated Screw, DIN 912-M6X30-8.	890	1	1 617 000 743	Un. Flange-Mtd. Motor
106	4	2 914 551 189	Microencapsulated Screw, DIN 912-M6X55-8.	897	1	1 617 000 732	Wear and Tear Part Set
107	4	2 910 141 242	Hex Socket Head Cap Screw, DIN 912-M8x20	898	1	1 615 430 015	Grease Tube, 225 ML, RENOLIT ST BHF 00
108	4	2 603 490 023	Lens Head Screw, 4x20,0x7,5x2,6				
109	9	2 910 141 248	Hex Socket Head Cap Screw, DIN 912-M8x35				
110	4	2 910 141 356	Hex Socket Head Cap Screw, DIN-M12x70-8.8				
111	3	1 613 414 024	Hex Screw				
112	2	1 613 490 021	Torx Oval-Head Screw				