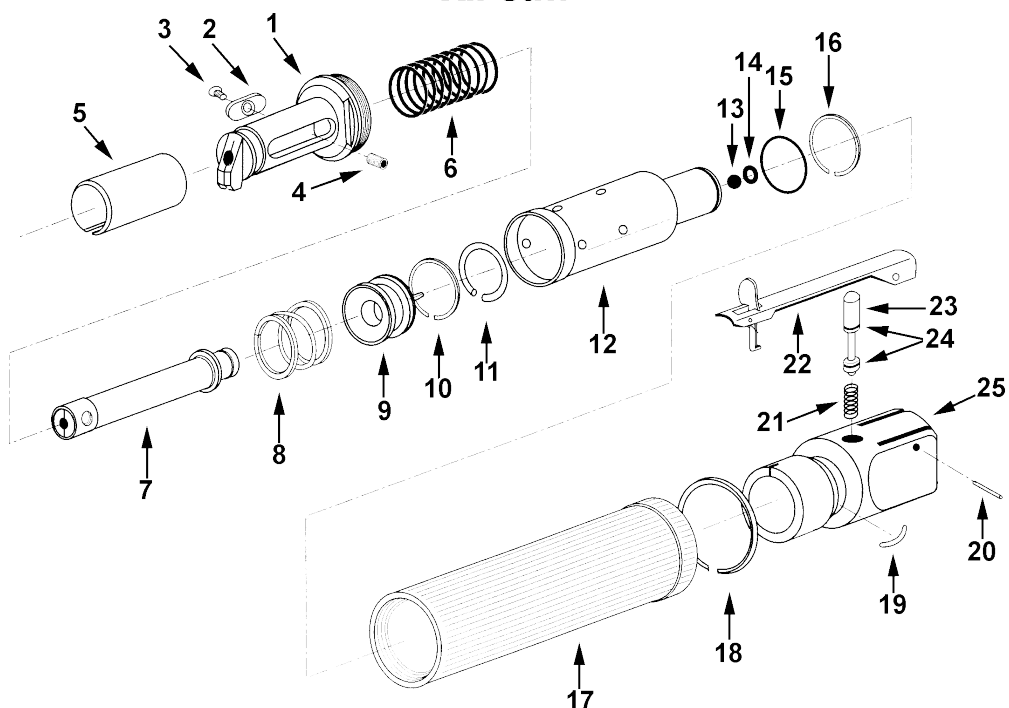


## MODEL UT 9930 Air Saw



### Parts List

Ref. No.	Description	Part No.
1	Front	6S-100-01
2	Guide	6S-100-02
3	Screw	6S-100-03
4	Blade lock screw	6S-100-04
5	Front cover	6S-100-05
6	Spring	6S-100-08
7	Piston extension	6S-100-07
8	Spring	6S-100-09
9	Piston	6S-100-12
10	Piston ring	6S-100-13
11	Limit ring	6S-100-14
12	Cylinder	6S-100-18
13	Ball	6S-100-17
14	Retainer ring	6S-100-19
15	O-Ring	6S-110-20
16	Piston ring	6S-100-22
17	Housing	6S-100-10
18	Lock ring	6S-100-24

Ref. No.	Description	Part No.
19	Curved cylinder key	6S-100-23
20	Pin	6S-100-27
21	Valve spring	6F-110-26
22	Throttle	6S-100-15
23	Valve stem	6F-110-21
24	O-Ring (2)	6S-100-25
25	Rear body	6F-110-16