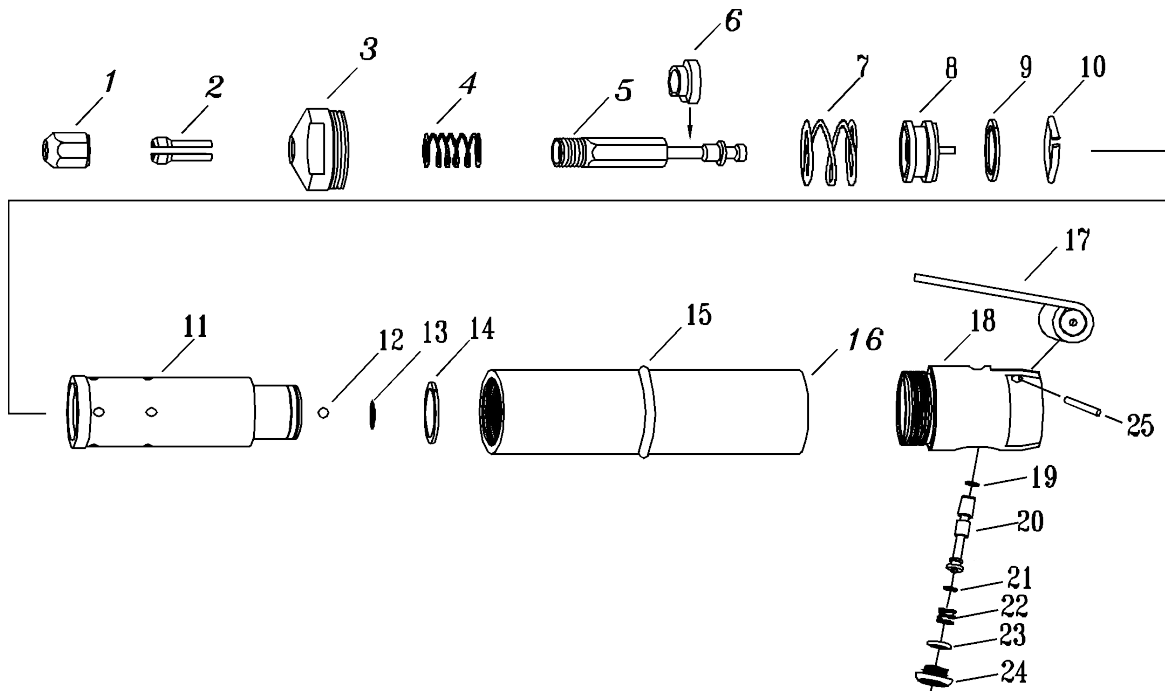


MODEL UT 9922 Recoilless Scaler



Parts List

Ref. No.	Description	Part No.
1	Nut	6H-95-01
2	Chisel retainers	6H-95-03
3	Front	6H-90-04
4	Spring	6S-100-08
5	Piston extension	6H-90-02
6	Support	6H-90-06
7	Spring	6S-100-09
8	Piston	6S-100-12
9	Piston ring	6S-100-13
10	Limit ring	6H-90-14
11	Cylinder	6H-90-18
12	Ball	6S-100-17
13	Retainer	6S-100-19
14	Piston ring	6S-100-22
15	Support ring	6H-90-16
16	Housing	6H-90-05

Ref. No.	Description	Part No.
17	Lever	120450
18	Rear	260090
19	O-ring	115120
20	Valve stem	120460
21	O-ring	115145
22	Valve spring	118090
23	O-ring	115135
24	Valve cap	120470
25	Pin	D847031
	Tungsten carbide tipped	
	chisels	
26	3/8" Blade	5340
27•	3/4" Blade	5350
28	1-1/2" Blade	5360
•	Supplied with tool	