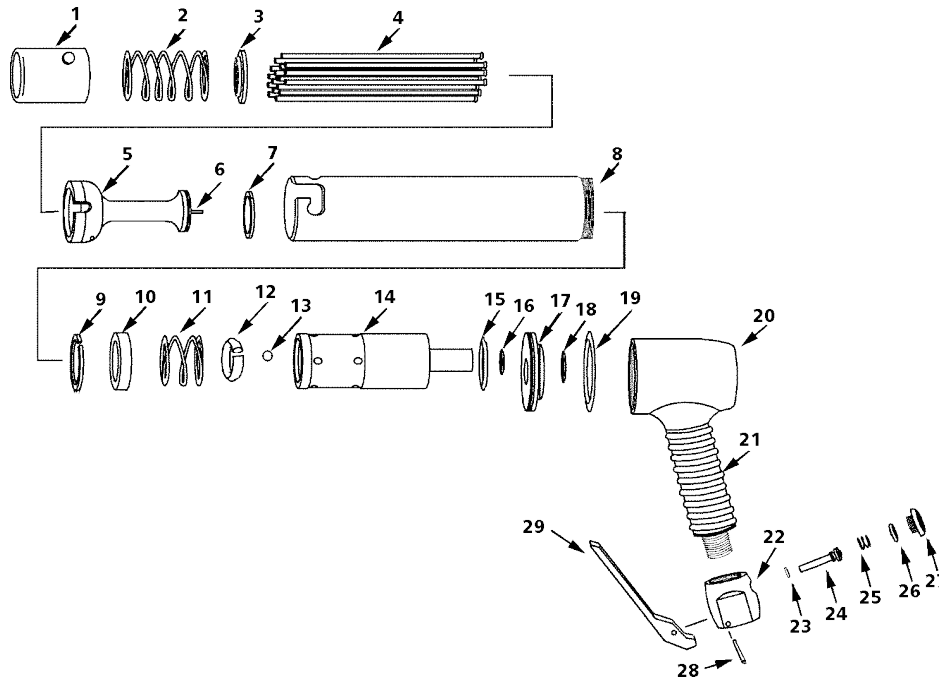


MODEL UT 9916/9916-2 Recoilless Needle Scaler



Parts List

Ref. No.	Description	Part No.
1	Front Assembly	6NRV28-1
2	Spring	6NRV28-2
3	3mm Needle Holder (UT9916)	6NRV28-3
	2mm Needle Holder (UT9916-C)	6NRV28-3
4	3mm Needles (Set of 28)	109020-28
	2mm Needles (Set of 58)	109180
5	Driver	6NRV28-8
6	Pusher	6NRV28-10
7	Piston Ring	6NRV28-13
8	Housing	6NRV28-5
9	Snap Ring	6NRV28-7
10	Support Ring	6NRV28-6
11	Spring	6NRV28-9
12	Limit Ring	6NRV28-14
13	Ball	6NRV28-17

Ref. No.	Description	Part No.
14	Cylinder	6NRV28-18
15	O-Ring	6NRV28-15
16	O-Ring	6NRV28-19
17	Divider	6NRV28-16
18	Seal Ring	6NRV28-22
19	O-Ring	6NRV28-20
20	Handle Assembly	260330
21	Grip	995120B-15
22	Valve Body	995120B-6
23	O-Ring for Valve Seat	995120B-5
24	Valve Stem	995120B-4
25	Valve Spring	995120B-3
26	O-Ring for Valve Cap	995120B-2
27	Valve Cap	995120B-1
28	Roll Pin	995120B-8
29	Valve Lever	995120B-7