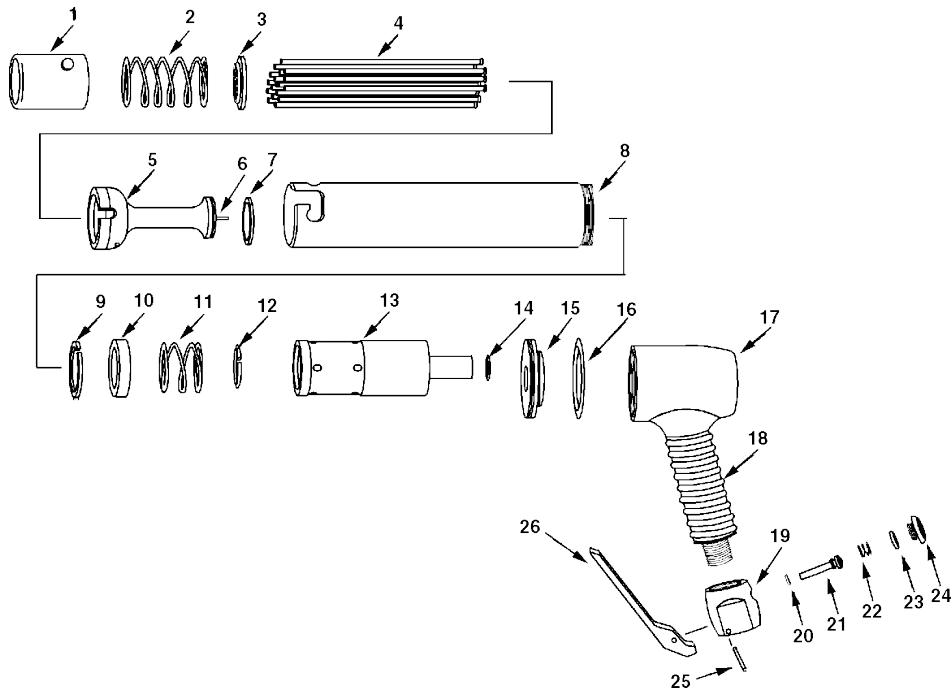


MODEL UT 9914/9914-2 Recoilless Needle Scaler



Parts List

Ref. No.	Description	Part No.
1	Front assembly	6NRV19-1
2	Spring	6NRV19-2
3	3mm Needle holder	6NRV19-3
3	2mm Needle holder	109160
4	3mm Needles (Set of 19)	109020
4	2mm Needles (Set of 38)	109170
5	Driver assembly	6NRV19A-1
6	Pusher	6NRV19-10
7	Piston Ring	6NRV19-13
8	Housing	6NRV19-5
9	Snap ring	6NRV19-7
10	Support ring	6NRV19-6
11	Spring	6NRV19-9
12	Limit ring	6NRV19-14

Ref. No.	Description	Part No.
13	Cylinder assembly	6NRV19A-2
14	O-Ring	6NRV19-15
15	Divider assembly	6NRV19A-3
16	O-Ring	6NRV19-20
17	Handle assembly	260320
18	Grip	995120B-15
19	Valve body	995120B-6
20	O-Ring valve seat	995120B-5
21	Valve stem	995120B-4
22	Valve spring	995120B-3
23	O-Ring valve cap	995120B-2
24	Valve cap	995120B-1
25	Roll pin	995120B-8
26	Valve lever	995120B-7