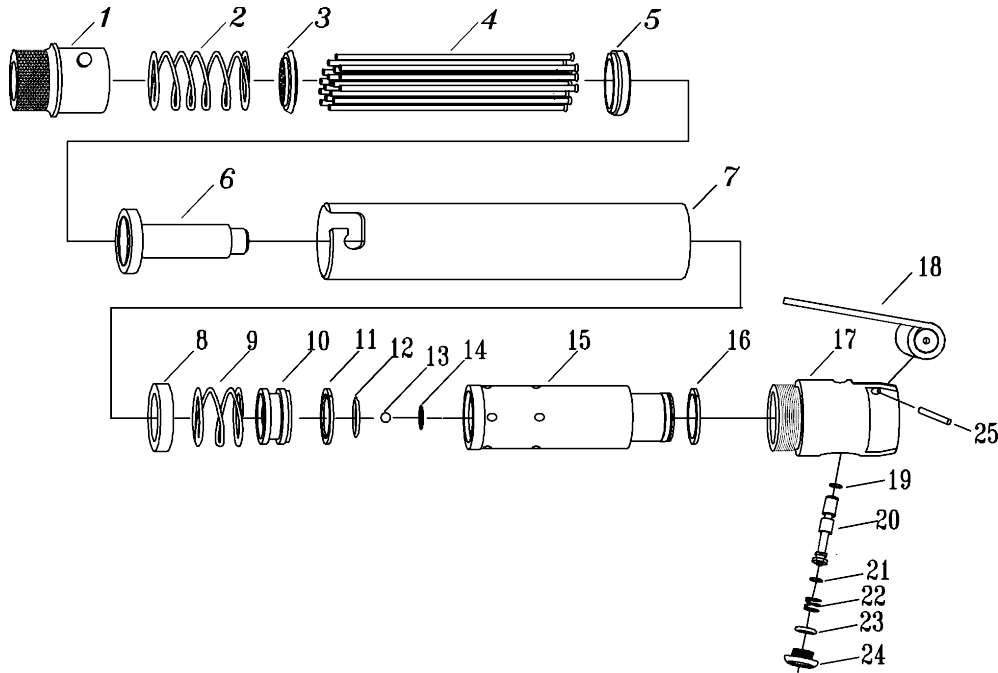


MODEL UT 9912 Recoilless Needle Scaler



Parts List

Ref. No.	Description	Part No.
1	Front assembly	101510
2	Spring	6NRV952
3	Needle holder	6NRV953
4	Needles (Set of 19)	109020
5	Spacer	6NRV954
6	Driver	6NRV958
7	Housing	101280
8	Support ring	6NRV956
9	Spring	6NRV959
10	Piston	6NRV9512
11	Piston ring	6NRV9513
12	Limit ring	6NRV9514
13	Ball	6NRV9517

Ref. No.	Description	Part No.
14	Retainer ring	6NRV9519
15	Cylinder	6NRV9518
16	Piston ring	6NRV9522
17	Rear housing	260080
18	Lever assembly	120450
19	O-Ring	115120
20	Valve stem	120460
21	O-Ring	115145
22	Valve spring	118090
23	O-Ring	115135
24	Valve cap	120470
25	Pin	D847031