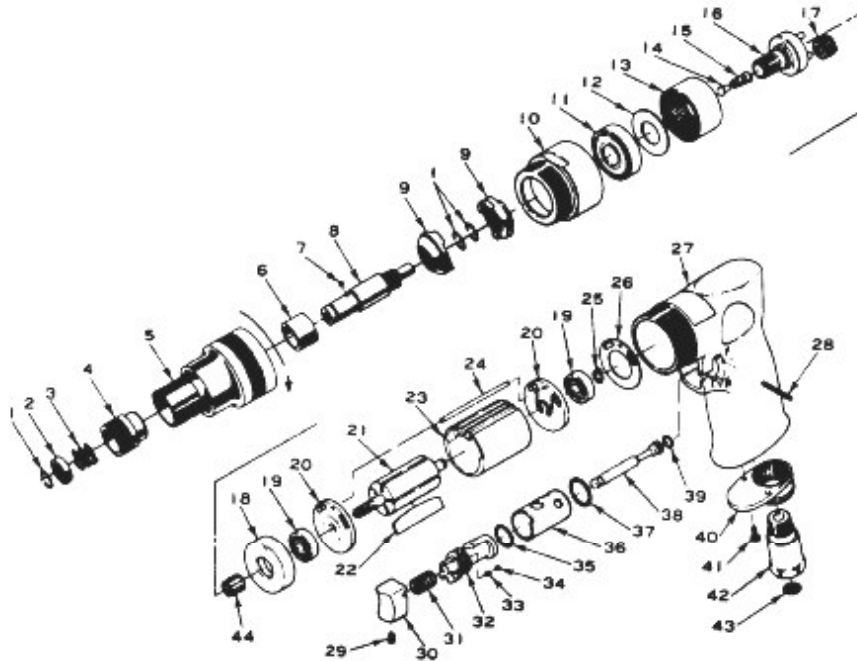


MODEL UT 8940 Screwdriver



Parts List

Ref. No.	Description	Part No.	Ref. No.	Description	Part No.
1	Retaining ring (3)	8730257	23	Cylinder	8900104
2	Washer	8730258	24	Pin	8900105
3	Spring	8730259	25	Retaining ring	81012831
4	Ball Retainer	8730260	26	Motor gasket	8900113
5	Clutch housing	8730274	27	Housing	8900112
6	Clutch bushing	8730275	28	Pin	8900111
7	Steel ball	81005164	29	Set screw	8731928
8	Output spindle	8730276	30	Trigger	8731929
9	Drive dog (2)	8730277	31	Valve spring	8731925
10	Lock ring	8900205	32	Reverse lever	8900108
11	Ball bearing	8732081	33	Rubber cushion	8900276
12	Washer	8730231	34	Steel ball	8732435
13	Ring gear	8732078	35	O-Ring	8900107
14	Spring guide	8730272	36	Reverse bushing	8900109
15	Spring	8900207	37	O-Ring	8900110
16	Work spindle	8900204	38	Valve stem	8900106
17	Planet gear (3)	8900278	39	O-Ring	8729591
18	Spacer	8900101	40	Exhaust diffuser	8731922
19	Ball bearing (2)	8729012	41	Screw (2)	8731921
20	End plate (2)	8900102	42	Hose adaptor	8731920
21	Rotor	8900103	43	Screen	81005726
22	Rotor blade (4)	8729709	44	Pinion	8900280