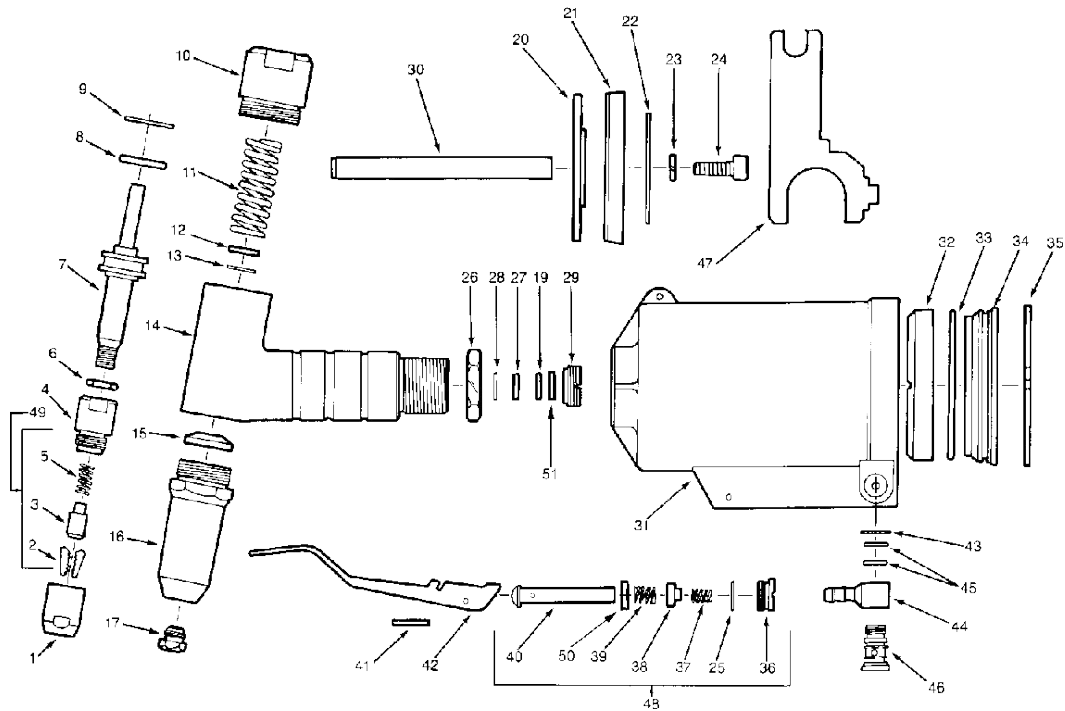


MODEL UT 8920 Riveter



Parts List

Ref. No.	Description	Part No.
1	Jaw housing	9760075
2	• Jaw set (3)	9760076
3	• Jaw pusher	9760077
4	Jaw housing coupler	9760078
5	• n Jaw pusher spring	9760079
6	Nut	9760080
7	Hydraulic plunger	9760081
8	n O-ring seal	9760082
9	n O-ring washer	9760083
10	n Screw plug	9760084
11	n Return spring	9760085
12	n X-ring seal	9760086
13	n X-ring washer	9760087
14	Hydraulic section	*
15	n Wiper ring	9760089
16	Head	9760090
17	3/8" Nosepiece	9760091
18	D 1/4" Nosepiece	9760092
19	Ring washer	9760093
20	Front piston head disc	9760094
21	Piston head packing ring	9760095
22	Rear piston head disc	9860096
23	Piston head sprg. washer	9760097
24	Piston head lock screw	9760098
25	Inlet fitting O-ring	9760099
26	Lock nut	9760100
27	X-ring seal	9760101
28	Guide washer	9760102
29	Hydraulic rod guide	9760103

Ref. No.	Description	Part No.
30	Plunger rod	9760104
31	Air cylinder body	*
32	Damping ring	9760106
33	O-ring seal	9760107
34	Cylinder cap	9760108
35	Clip	9760109
36	Screw plug	9760110
37	Valve pressure spring	9760111
38	Valve plate	9760112
39	Valve tube spring	9760113
40	Valve tube	9760114
41	Trigger roll pin	9760115
42	Trigger arm	9760116
43	Sealing washer	9760117
44	1/4" Air inlet fitting	9760118
45	O-ring seal (2)	9760119
46	Air inlet plug	9760120
47	Wrench	9760121
48	Throttle assembly	9760125
49	Jaw kit	9760123
50	O-ring	9760128
51	Ring washer	9760127
D	Plastic bottle	9760122
D	Rubber bumper	9760126
(*)	Not available as a replacement part	
(n)	Included in part number 9760124, Jaw seal Kit	
(•)	Included in part number 9760123, Jaw Kit	
(D)	Not Shown	