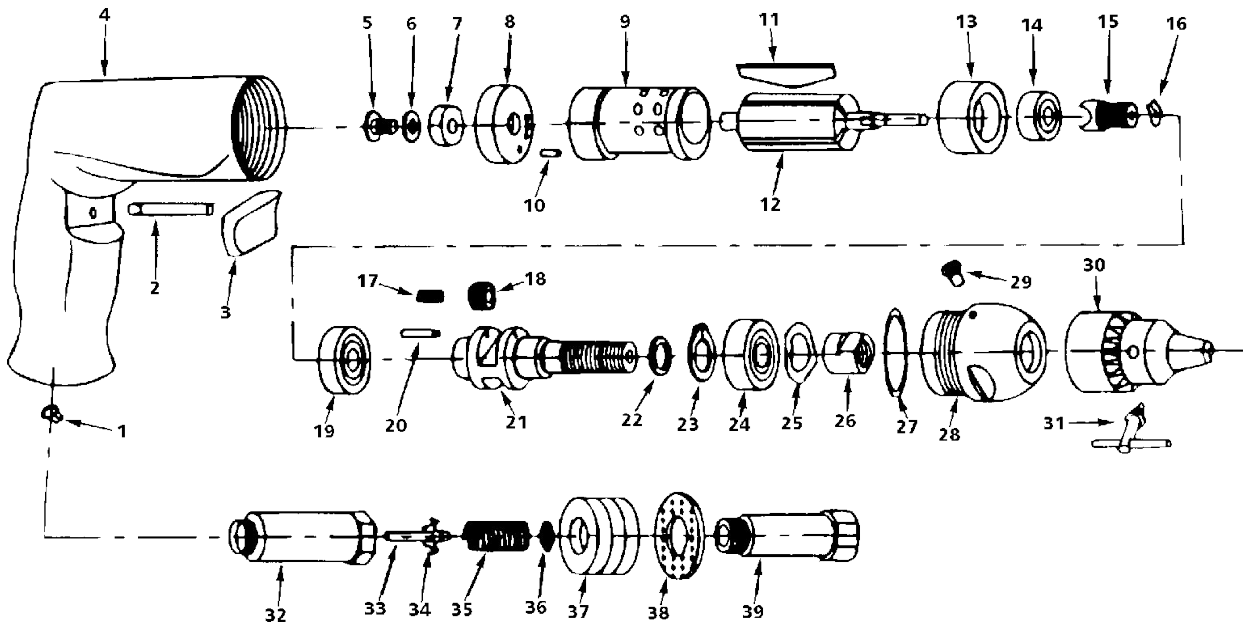


MODEL UT 8891 / UT8893
1/4" & 3/8" Drill



Parts List

Ref. No.	Description	Part No.
1	Retaining ring	115080
2	Push rod	120380
3	Trigger	120370
4	Handle	260010
5	Screw	117190
6	Washer	117230
7	Bearing	81010183
8	Rear plate	113150
9	Cylinder	103070
10	Pin	111280
11	Vane	116240
12	Rotor (UT8891)	116140
12	Rotor (UT8893)	116150
13	Front plate	113070
14	Bearing	102160
15	Pinion gear (UT8891 only)	104140
16	Ret. ring (UT8891 only)	115090
17	Needle bearing (2)	102180
18	Planet gear (UT8891) (2)	104150
18	Planet gear (UT8893) (2)	104160
19	Bearing	81008262
20	Gear pin (2)	111340
21	Planet cage (UT8891)	104260
21	Planet cage (UT8893)	104270

Ref. No.	Description	Part No.
22	Washer (UT8891)	117240
22	Washer (UT8893)	117245
23	Retaining ring	115100
24	Bearing	81008854
25	Wave washer	117250
26	Retaining nut	107300
27	O-Ring	115130
28	Gear housing	101270
29	Grease fitting	115400
30	1/4" Ind'l chuck w/key	107927
30	3/8" Ind'l chuck w/key	107952
31	1/4" Chuck key	5917
31	3/8" Chuck key	5915
32	Trigger valve housing	120180
33	Tip valve pin	120300
34	Tip valve	120290
35	Tip valve spring	118070
36	Screen	106250
37	Muffler (4)	106230
38	Baffle	106240
39	Hose adapter	106060
D	1/2" Wrench	5904
(D)	Not shown	