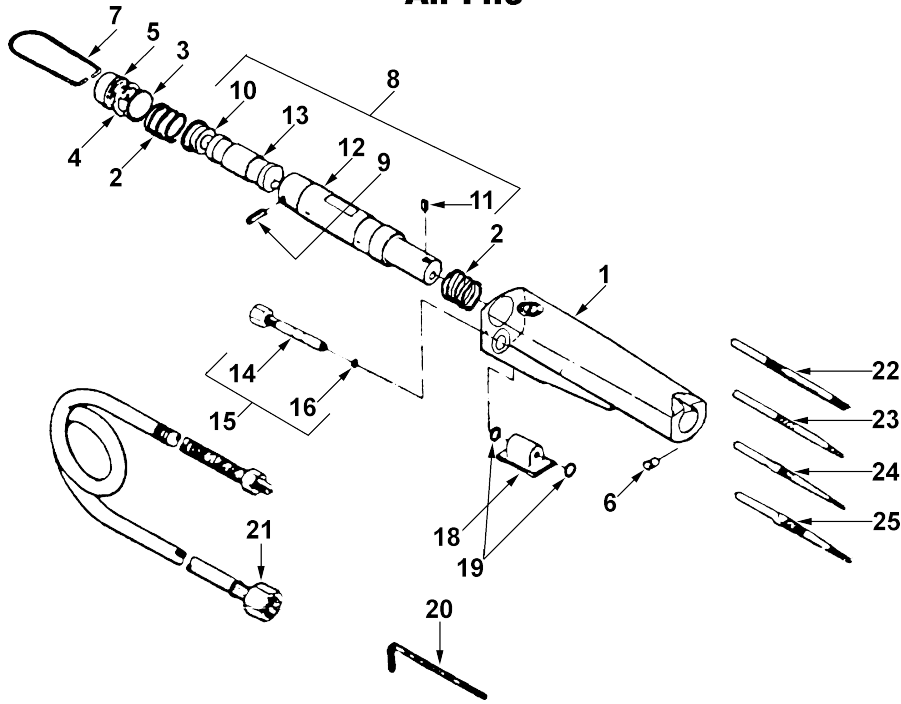


**MODEL UT 8862
Air File**



Parts List

Ref. No.	Description	Part No.
1	Housing	9705001
2	Spring (2)	9705002
3	Filter	9705003
4	Retaining ring	9705004
5	Cap	9705005
6	Guide key	9705006
7	Hangar	9705007
8	Cylinder assembly (9-13)	9705008
9	Spring pin	9705009
10	Plug	9705010
11	Headless set screw	9705011
12	Cylinder	9705012
13	Piston	9705013

Ref. No.	Description	Part No.
14	Valve nipple	9705014
15	Valve nipple ass'y (14,16)	9705015
16	O-Ring	9705016
17	Valve assembly	9705018
18	Valve body	9705019
19	O-Ring (2)	9705020
20	3mm Hex wrench	9705021
21	Hose assembly	9705022
22	3 Pk of Flat Mill Cut Files	5679
23	3 Pk of Round Single Cut	5680
24	3 Pk of Triangle Single Cut	5681
25	3 Pk of Flat Bastard Cut	5682
*	4 Pk Asstd. (1 ea. above*)	5683