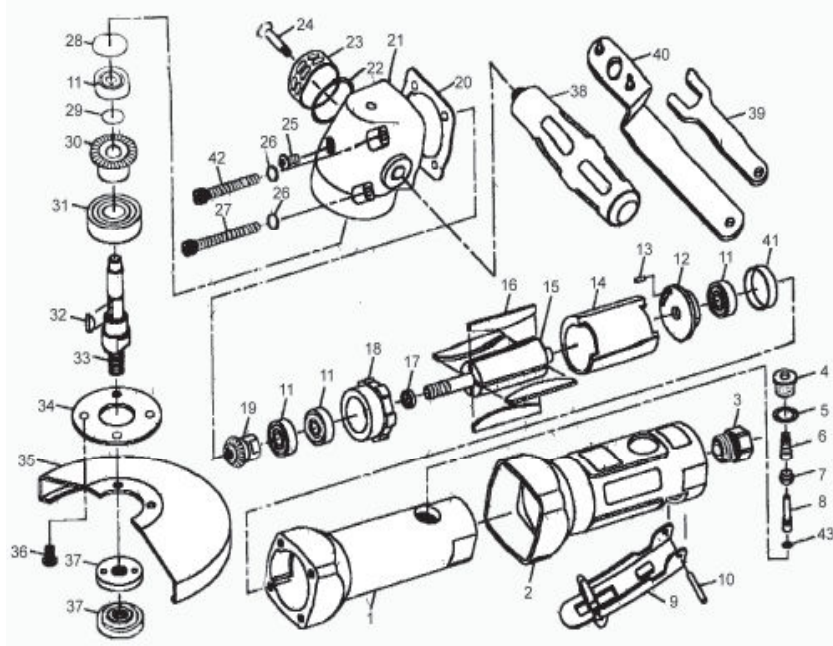


MODEL UT 8780 Right Angle Grinder



Parts List

Ref. No.	Description	Part No.
1	HOUSING	980401
2	PROTECTING RUBBER	980402
3	AIR INLET	980403
4	SCREW	980404
5	O-RING	980405
6	SPRING	980406
7	VALVE STEM BUSHING	980407
8	VALVE STEM	980408
9	LEVER	980409
10	PIN	980410
11	BALL BEARING (4)	980411
12	REAR PLATE	980412
13	PIN	980413
14	CYLINDER	980414
15	ROTOR	980415
16	ROTOR BLADE (8)	980416
17	BEARING SPACER	980417
18	FRONT PLATE	980418
19	BEVEL GEAR	980419
20	PACKING	980420
21	ANGLE HOUSING	980421

Ref. No.	Description	Part No.
22	O-RING	980422
23	EXHAUST SLEEVE	980423
24	SCREW	980424
25	SCREW	980425
26	SPRING WASHER (4)	980426
27	SCREW (2)	980427
28	SPACER	980428
29	RETAINING RING	980429
30	BEVEL GEAR	980430
31	BALL BEARING	980431
32	KEY	980432
33	SHAFT (5/8**11)	9804533
34	FACE PLATE	980434
35	DISC COVER(4 1/2")	9804536
36	SCREW (4)	980436
37	DISC NUT	9804531
38	HANDLE	980438
39	STOP SPANNER	9804541
40	DISC SPANNER	9804542
41	SHROUD	980441
42	SCREW (2)	980442
43	O-RING	980443