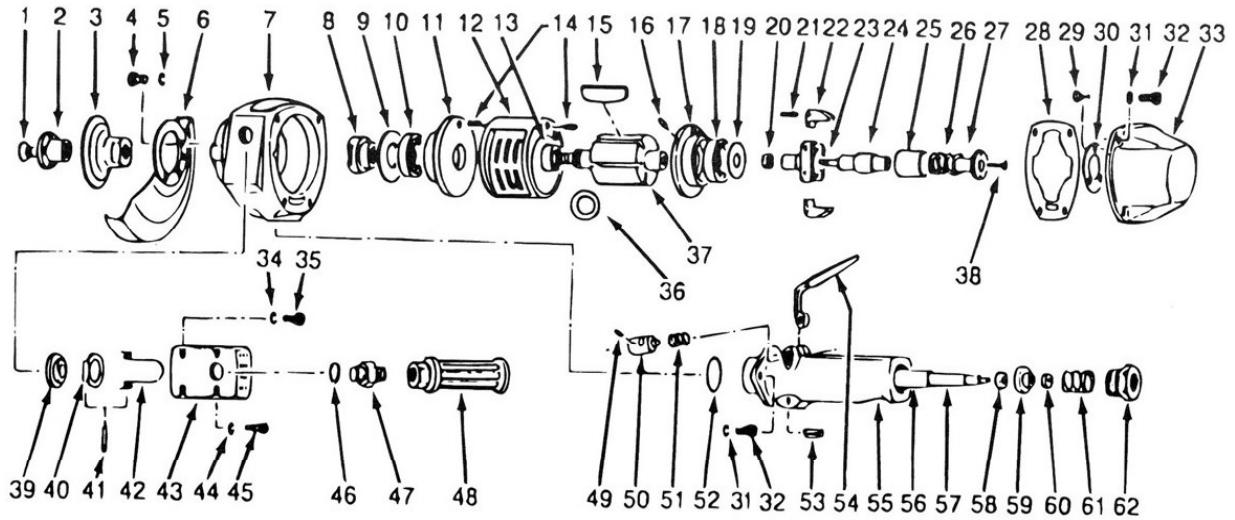


## MODEL UT 8759 4 HP Vertical Grinder



### Parts List

Ref. No.	Description	Part No.
1	Capscrew	CS-635S
2	Wheel Flange B	A-100304-02
3	Wheel Flange A	A-041303-A
4	Capscrew (4)	CS-616
5	Spring Washer (4)	SW-6
6	Wheel Guard w/	A-078335-00
7	Capscrew & Washer Housing	A-172201-00
8	Rotor Nut	A-150212-00
9	Bearing Spacer	A-150229-00
10	Ball Bearing	BB-5204
11	Cylinder Lower Plate	A-150211-00
12	Cylinder W/Pin	A-151209-00
13	Adjusting Collar	A-150213-00
14	Spring Pin (2)	SP-48
15	Rotor Blade	A-151208-00
16	Spring Pin	SP-36
17	Cylinder Upper Plate w/Pin	A-150210-00
18	Ball Bearing	BB-6203MN
19	Bearing Cover	A-150238-00
20	U-Nut	UN-5
21	Grooved Pin (2)	GP-328GCH
22	Governor Weight (2)	A-150152-00
23	Governor Cage	S-016151-00
24	Governor Shaft	A-150154-00
25	Governor Valve	A-150145-00
26	Governor Valve Spring	A-150149-00
27	Gov. Valve Spr. Holder	A-150155-00
28	Packing A	A-150621-00
29	Round Head Screw (3)	S-410R
30	Washer	A-094251-00
31	Spring Washer	SW-6

Ref. No.	Description	Part No.
32	Capscrew (6)	CS-620
33	Housing Cover	A-150101-00
34	Spring Washer	SW-5
35	Capscrew	CS-520
36	Adjusting Washer	A-150214-01
37	Rotor	A-151207-00
38	Flat Head Screw	S-412S
39	Exhaust Valve	A-094251-00
40	Muffler Plate	A-094289-00
41	Spring Pin	SP-330
42	Muffler Spring	A-150290-00
43	Exhaust Cover	A-171250-00
44	Spring Washer	SW-5
45	Capscrew (2)	CS-528
46	Conical Spring Washer	H-001270-00
47	Dead Handle Joint	A-108605-00
48	Dead Handle	A-025604-02
49	Set screw	SS-48
50	Safety Lock (2)	A-078183-01
51	Safety Lock Spring	A-078184-00
52	O-Ring	O-S34
53	Grooved Pin	GP-520GCH
54	Throttle Valve Lever	A-078121-00
55	Throttle Valve Body	A-094108-00
56	Throttle Valve Rod Bush.	A-078129-00
57	Throttle Valve Rod	A-078113-01
58	Throttle Valve	A-078110-01
59	Throttle Valve Washer	A-078111-01
60	Sub Throttle Valve	W-080195-00
61	Throttle Valve Spring	A-078117-01
62	Inlet Bushing NPT	IB-6N3NSO