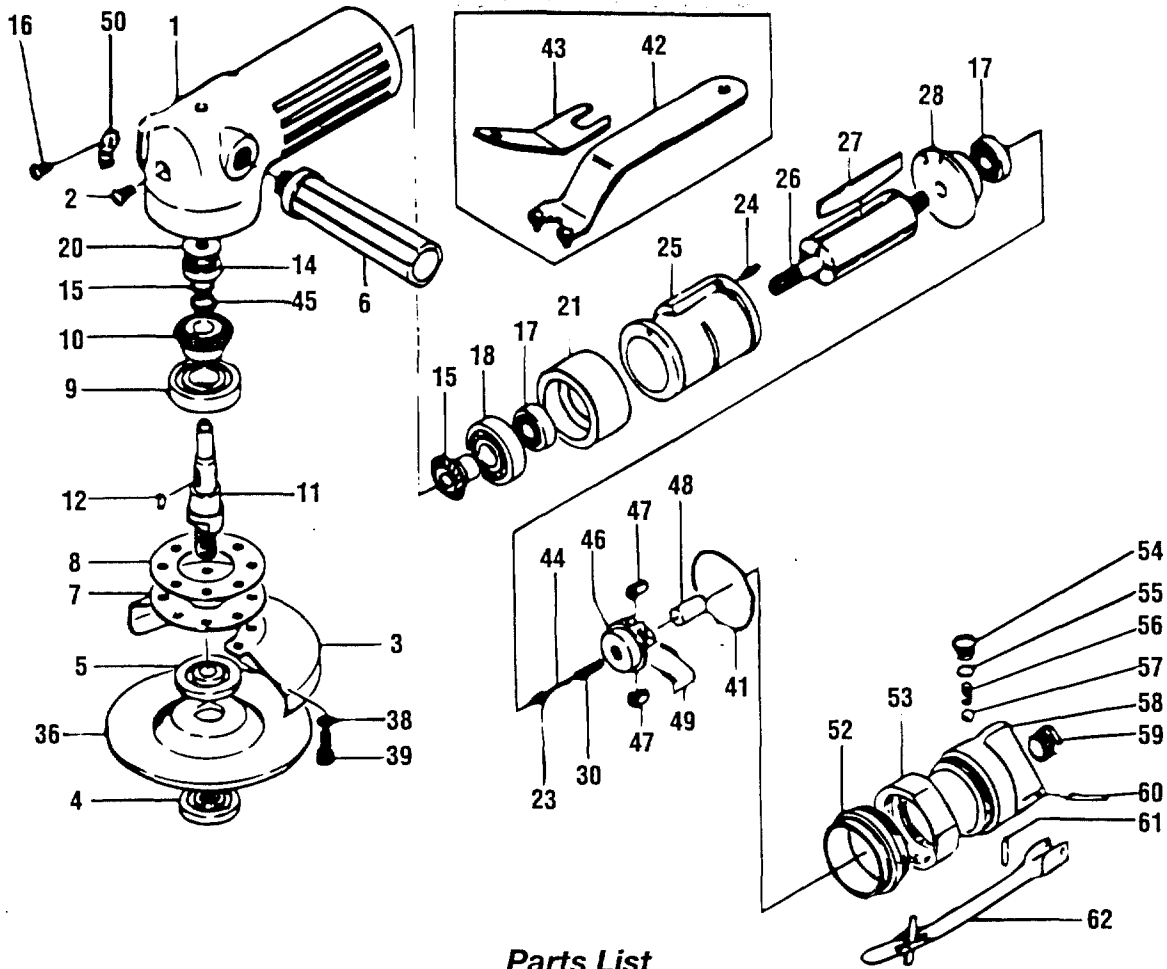


MODEL UT 8740 4" Heavy Duty Angle Grinder



Parts List

REF. NO.	DESCRIPTION	PART NO.	REF. NO.	DESCRIPTION	PART NO.
1	Body	8732343	30	Spring	8732370
2	Screw	8732344	36	Disc	8732376
3	Disc Cover	8732345	38	Washer (4)	8732378
4	Disc Nut	8732346	39	Screw (4)	8732379
5	Disc Receiver	8732347	41	O-Ring	8732381
6	Grip	8732348	42	Disc Spanner	8732382
7	Retainer	8732349	43	Stop Spanner	8732383
8	Gasket	8732350	44	Adjust Screw	8732384
9	Bearing	8732351	45	Wave Washer	8732385
10	Bevel Gear	8732352	46	Governor	8732386
11	Gear Shaft	8732353	47	Pendulum (8)	8732387
12	Key	8732354	48	Plunger	8732388
13	Retainer Ring	8732355	49	Spring Pin (2)	8732389
14	Bearing	8732356	50	Exhaust Cover	8732390
15	Pinion	8732357	52	Lock Ring	8732392
16	Screw (2)	8732358	53	Coupling Nut	8732393
17	Bearing (2)	8732359	54	Valve Nut	8732394
18	Bearing	8732360	55	O-Ring	8732395
20	Spacer	8732361	56	Valve Spring	8732396
21	Front Plate	8730087	57	Valve Ball	8732397
23	Adjust Nut	8732363	58	Valve Housing	8732398
24	Spring Pin	8732364	59	Bushing	8732399
25	Cylinder	8729229	60	Pin	8732400
26	Rotor	8732366	61	Valve Pin	8732401
27	Rotor Blade (4)	8729230	62	Throttle Lever	8732402
28	Rear Plate	8729231			