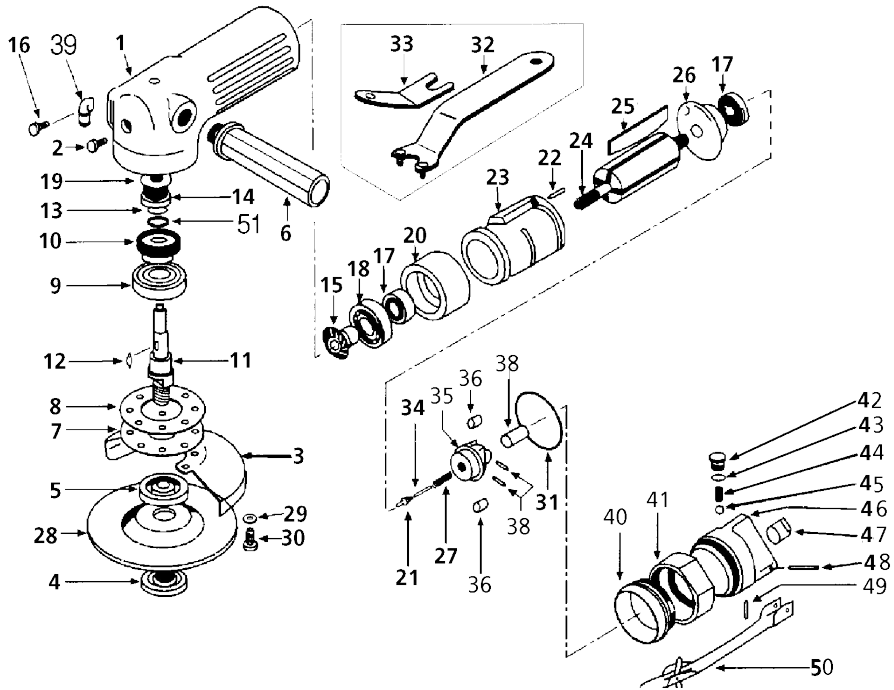


MODEL UT 8740 4" Angle Grinder



Parts List

Ref. No.	Description	Part No.
1	Body	8732343
2	Screw	8732344
3	Disc cover	8732345
4	Disc nut	8732346
5	Disc receiver	8732347
6	Grip	8732348
7	Retainer	8732349
8	Gasket	8732350
9	Bearing	8732351
10	Bevel gear	8732352
11	Gear shaft	8732353
12	Key	8732354
13	Retaining ring	8732355
14	Bearing	8732356
15	Pinion	8732357
16	Screw (2)	8732358
17	Bearing (2)	8732359
18	Bearing	8732360
19	Spacer	8732361
20	Front plate	8730087
21	Adjust nut	8732363
22	Spring pin	8732364
23	Cylinder	8729229
24	Rotor	8732366
25	Rotor blade (4)	8729230
26	Rear plate	8729231

Ref. No.	Description	Part No.
27	Spring	8732370
28	• 4" Disc Type 27	8732376
29	Washer (4)	8732378
30	Screw (4)	8732379
31	O-ring	8732381
32	Disc spanner	8732382
33	Stop spanner	8732383
34	Adjust screw	8732384
35	Governor	8732386
36	Pendulum (6)	8732387
37	Plunger	8732388
38	Spring pin (2)	8732389
39	Exhaust cover	8732390
40	Lock ring	8732392
41	Coupling nut	8732393
42	Valve nut	8732394
43	O-ring	8732395
44	Valve spring	8732396
45	Valve ball	8732397
46	Valve housing	8732398
47	Bushing	8732399
48	Pin	8732400
49	Valve pin	8732401
50	Throttle lever	8732402
51	Wave Washer	8732385
(•)	Not included.	