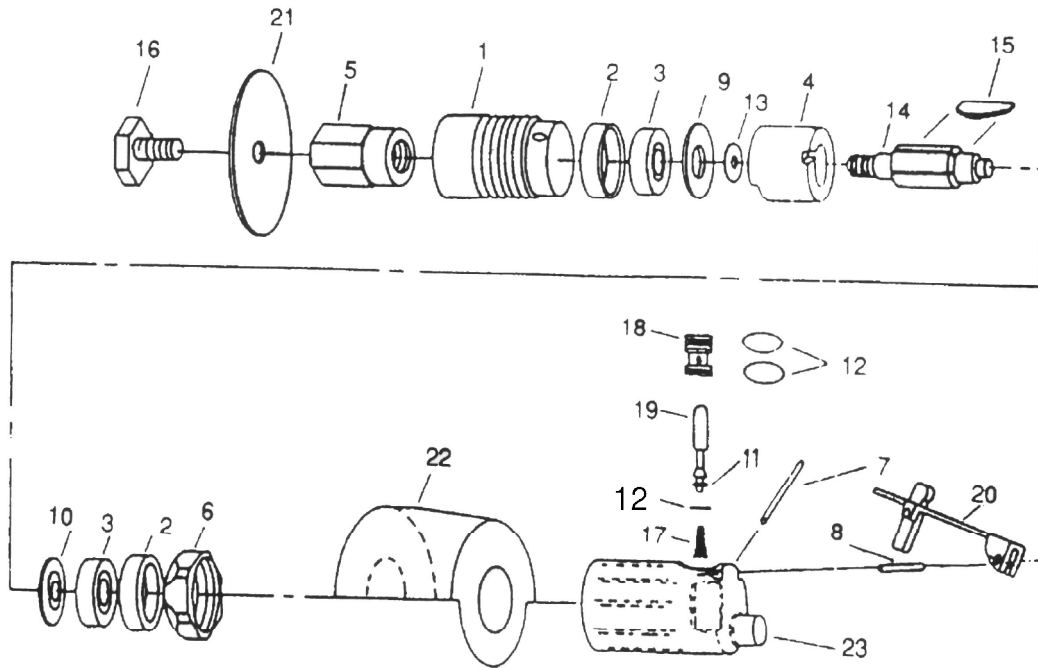


MODEL UT 8731 Cut-Off



Parts List

Ref. No.	Description	Part No.
1	Barrel	101010
2	Bearing Carrier (2)	102010
3	Bearing (2)	102020
4	Cage	103010
5	Arbor	107200
6	Lock Nut	108050
7	Retaining Pin	111220
8	Pivot Pin	111230
9	Front End Plate	113010
10	Rear End Plate	113120
11	O-Ring	115120
12	O-Ring (3)	115160
13	Stop Ring	115210
14	Rotor	116040

Ref. No.	Description	Part No.
15	Vanes	116210
16	Bolt	117330
17	Spring	118020
18	Trigger Valve Body	120120
19	Trigger Valve Stem	120230
20	Safety Lever	120330
21	**Cutting Disc (set of 6)	UTA82060
22	Safety Shield	122090
23	Handle	264060
**	Set of 2 included with tool	