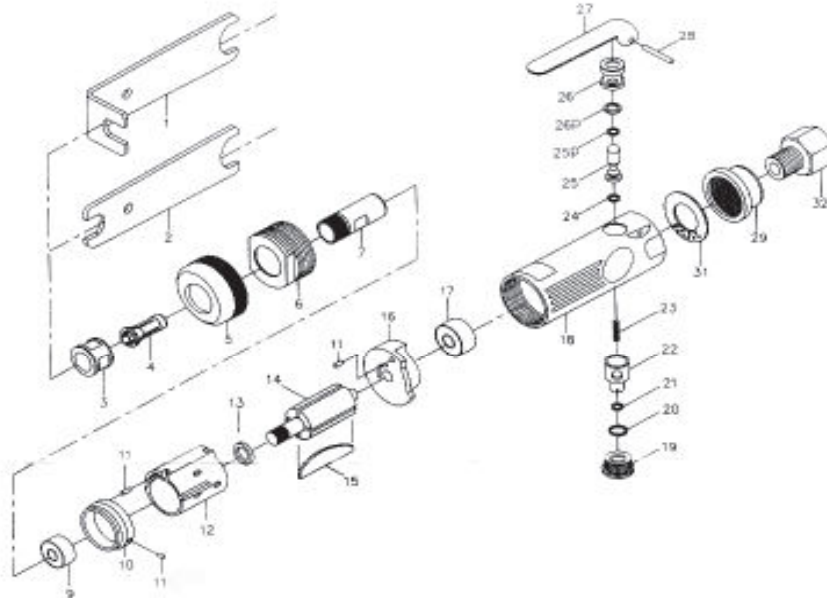


**MODEL UT 8720T  
1/4" Die Grinder**



**Parts List**

Ref. No.	Description	Part No.
1	Angled Double Ended Spanner	9103101
2	Double Ended Spanner	9103102
3	Collet Nut	9103103
4	Collet	9103104
5	Housing Cap	9103105
6	Retainer	9103106
7	Spindle	9103107
9	Ball Bearing	9103109
10	Front End Plate	9103110
11	Pin (3)	9103111
12	Cylinder	9103112
13	Bearing Spacer	9103113
14	Rotor	9103114
15	Rotor Blade (4)	9103115
16	Rear Plate	9103116
17	Ball Bearing	9103117

Ref. No.	Description	Part No.
18	Motor Housing	9103118
19	Valve Screw	9103119
20	O-Ring	9103120
21	O-Ring	9103121
22	Air Regulator	9103122
23	Spring	9103123
24	O-Ring	9103124
25	Throttle Valve	9103125
25P	O-Ring	9R5X1.5
26	Valve Bushing	9103126
26P	O-Ring	9R11X1.2
27	Safety Lever	9103127
28	Throttle Lever Pin	9103128
29	Exhaust Deflector	9103129
31	Circlip	9103131
32	Inlet Bushing	9103132