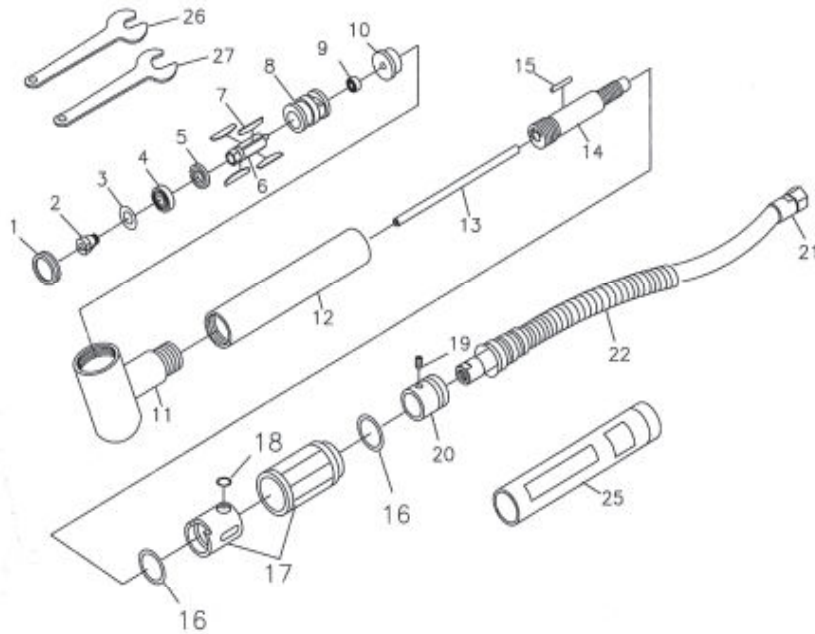


## MODEL UT 8708 Right Angle Pencil Grinder



### Parts List

Ref. No.	Description	Part No.
1	LOCK NUT	9RL82001
2	COLLET 1/8"	9RL82002A
3	SPACER	9RL82003
4	BALL BEARING	9RL82004AG
5	FRONT END PLATE	9RL82005
6	ROTOR	9RL82006
7	ROTOR BLADE (4)	9RL82007
8	CYLINDER	9RL82008
9	BALL BEARING	9RL81213AG
10	REAR END PLATE	9RL82010
11	ANGLE HOUSING	9RL82011
12	BODY	9RL812151
13	AIR INTAKE TUBE	9RL82013
14	HOSE PLUG	9RL81417

Ref. No.	Description	Part No.
15	SHORT PIN	9RL81218
16	O-RING (2)	9RL401321
17	SLIDING KNOB	9RL81219A
18	O-RING(3X2.2MM)	9RL81220
19	SCREW	9RL14019
20	REAR END HOLDER	9RL81223
21	AIR INLET WITH HOSE	9RL10012CF
22	SILENCER(BLACK)	9RL81225C
25	COMFORT GRIP	9RL82025FV
26	WRENCH(6MM)	9RL82026
27	WRENCH(8MM)	9RL82027
28	COLLET(3MM)	9RL82002 <sup>B</sup>