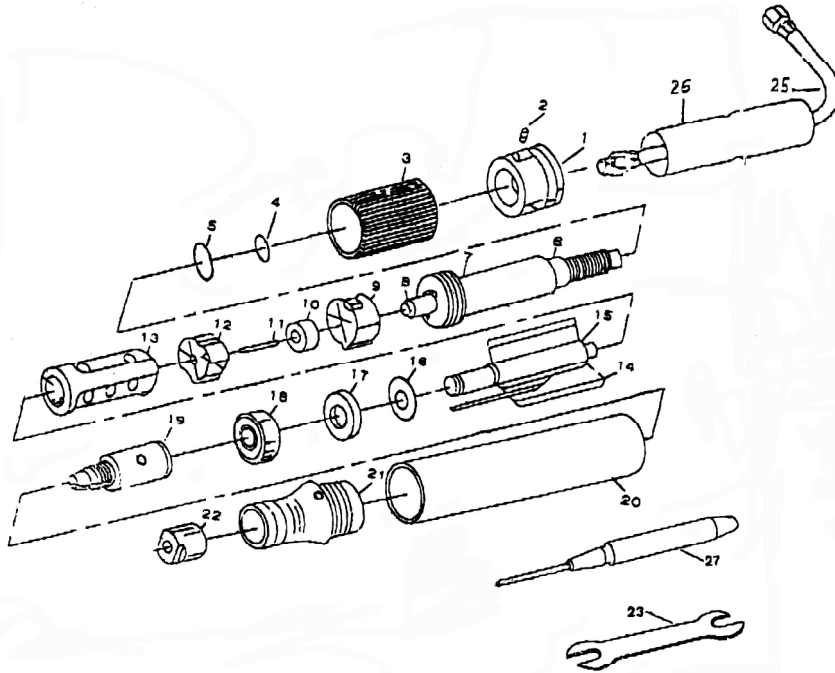


**MODEL UT 8706
1/8" Pencil Grinder**



Parts List

Ref. No.	Description	Part No.
1	Rear end holder	9710101
2	Screw	9710102
3	Sliding knob	9710103
4	O-ring	9710104
5	O-ring (2)	9710105
6	* Hose Plug	Set
7	* Pin	Set
8	* Intake Stainles	Set
9	Intake plate	9710107
10	Ball bearing	9710110
11	Pin	9710111
12	Bearing plate	9710130
13	Cylinder	9710131
14	Fiber vanes (3)	9710114
15	Rotor	9710132

Ref. No.	Description	Part No.
16	Spacer	9710133
17	Lateral disk	9710117
18	Ball bearing (2)	9710134
19	Collet	9710135A
20	Sleeve	9710136
21	Front cover	9710137A
22	Clamp Nut	9710138A
23	Wrench 7mm & 9mm	9710144
24	Connector	9710141
25	Inlet Hose	9710142
26	Hose Sleeve	9710143
27	Lock Wrench	9710145
(*)	Set	9710106