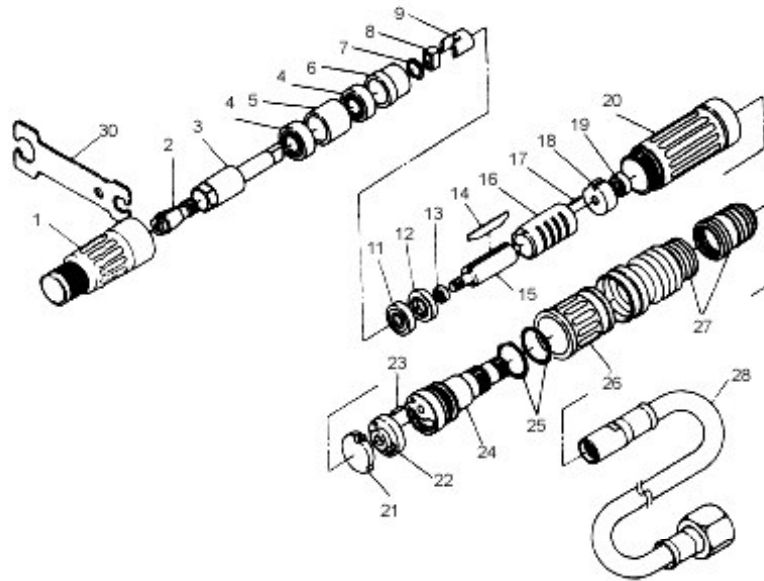


## MODEL UT 8705 1/8" Pencil Grinder



### Parts List

| Ref. No. | Description        | Part No. | Ref. No. | Description                          | Part No.            |
|----------|--------------------|----------|----------|--------------------------------------|---------------------|
| 1        | Front case         | 8900789  | 16       | Cylinder                             | 8900813             |
| 2        | 1/8" Collet        | 8900791  | 17       | Cylinder pin                         | 8900814             |
| 3        | Spindle            | 8900792  | 18       | Rear plate                           | 8900815             |
| 4        | Ball bearing (2)   | 8900793  | 19       | Ball bearing                         | 8900803             |
| 5        | Spindle collar "A" | 8900794  | 20       | Motor housing                        | 8900816             |
| 6        | Spindle collar "B" | 8900795  | 21       | Spacer                               | 8900817             |
| 7        | Retaining ring     | 8900796  | 22       | Connector                            | 8900818             |
| 8        | Joint cushion      | 8900797  | 23       | Spacer pin                           | 8900819             |
| 9        | Coupling           | 8900798  | 24       | Valve body                           | 8900820             |
| 11       | Ball bearing       | 8900808  | 25       | O-ring (2)                           | 8900821             |
| 12       | Front plate        | 8900809  | 26       | Valve ring                           | 8900822             |
| 13       | Rotor Collar       | 8900810  | 27       | Exhaust hose                         | 8900823             |
| 14       | Rotor blade (3)    | 8900811  | 28       | Whip hose assembly                   | 8900824             |
| 15       | Rotor              | 8900812  | 30       | Spanner wrench (2)<br>Grinding Wheel | 8900825<br>UTA85630 |
|          |                    |          |          |                                      |                     |
|          |                    |          |          |                                      |                     |