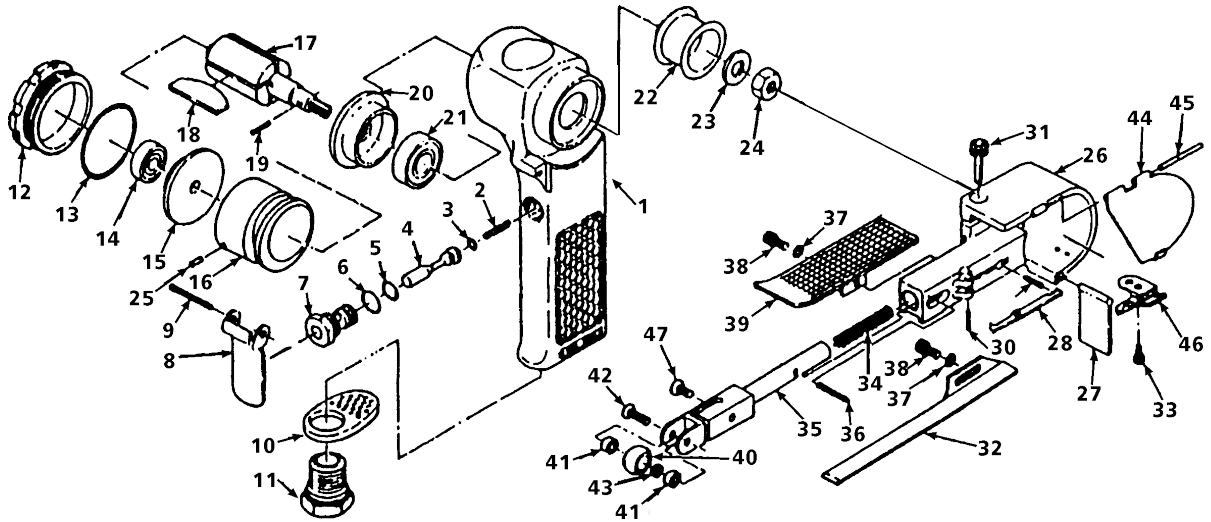


MODEL UT 8703 Belt Sander



Parts List

Ref. No.	Description	Part No.	Ref. No.	Description	Part No.
1	Motor housing	8900629	26	Wheel cover	8900635
2	Spring	8900490	27	Apron	8900636
3	O-Ring	81008173	28	Stopper	8900637
4	Valve stem	8900051	29	Stopper spring	8900638
5	O-Ring	8729088	30	Roll pin	8732389
6	O-Ring	8729091	31	Adjustment screw (swivel)	8900176
7	Valve body	8900053	32	Shoe	8900639
8	Throttle lever	8900514	33	Cap screw	8900640
9	Lever pin	8729167	34	Tension spring	8900641
10	Deflector	8900515	35	Tension arm	8900642
11	Air inlet	8900516	36	Stopper pin	8900643
12	Motor nut	8900517	37	Washer (2)	8900644
13	O-Ring	8729018	38	Cap screw	8900645
14	Ball bearing	8729012	39	Finger plate	8900646
15	Rear plate	8900518	40	Idler pulley	8900647A
16	Cylinder	8900630	41	Ball bearing	8900648
17	Rotor	8900631	42	Idler shaft	8900649
18	Rotor blade (4)	8900246	43	Collar	8900650
19	Rollpin	8900522	44	Wheel cover lid	8900651
20	Front plate	8900523	45	Roll pin	8900652
21	Ball bearing	8729113	46	Cover latch	8900653
22	Drive pulley	8900632	47	Adjust screw (alignment)	8900654
23	Washer	8900633	D	Allen wrench for No. 31	8900542
24	Lock nut	8900526			
25	Cylinder pin	8900634			