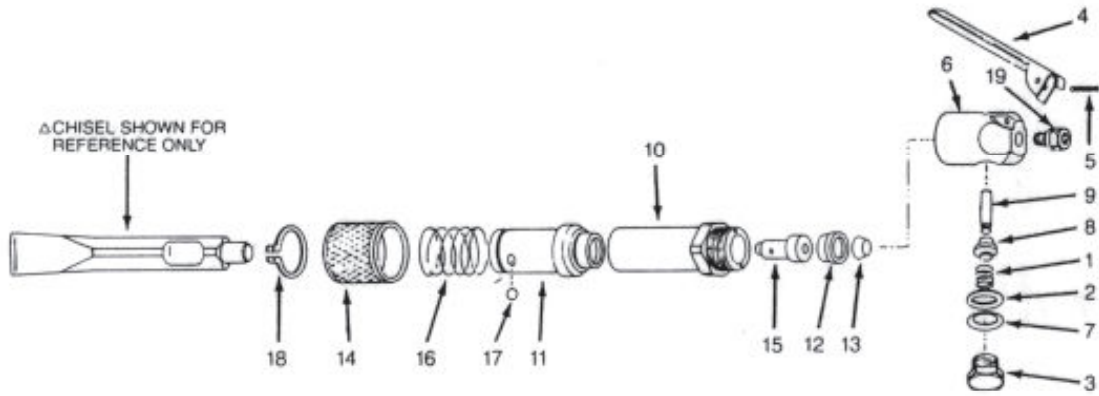


MODEL UT 8650 Scaler



Parts List

Ref. No.	Description	Part No.
1	Throttle valve spring	H-001117-00
2	Throttle valve cover packing	H-001119-00
3	Throttle valve cover	H-001120-00
4	Throttle valve lever	H-063121-00
5	Throttle valve pin	H-001122-00
6	Cap	H-001130-00
7	Conical spring washer	H-001270-00
8	Throttle valve	H-001110-02
9	Throttle valve rod	G-105113-00
10	Cylinder	H-002701-A

Ref. No.	Description	Part No.
11	Chisel bushing	H-002710-A
12	Cylinder cover	H-001711-00
13	Damper	H-001712-00
14	Chisel holder	H-056714-00
15	Piston	H-001720-00
16	Retaining spring	H-014761-00
17	Steel ball	B-3/8
18	Snap ring	SR-S28
19	Inlet bushing	IB-202N01