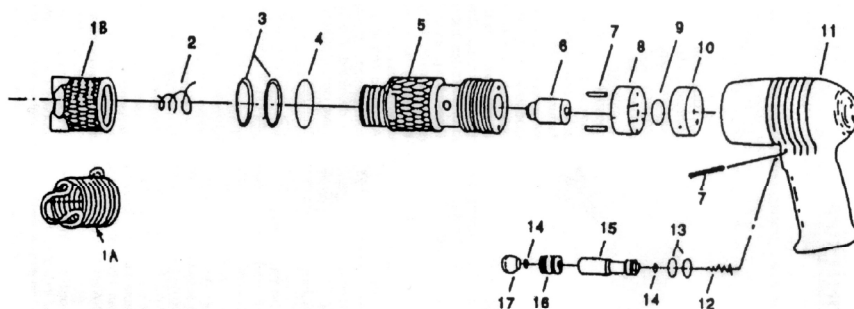


## MODEL UT 8645 Air Hammer



### Parts List

Ref. No.	Description	Part No.
1A	Quick change retainer	UTA85120
1B	Safety chuck (optional)	UTA83310
2	Spring, safety chuck	118030
3	Washer, safety chuck	117200
4	O-ring, safety chuck	115180
5	Barrel w/112010	425610
6	Piston	112010
7*	Retaining Pin (3)	111230
8*	Lower valve block	121110
9*	Flipper Valve	121010

Ref. No.	Description	Part No.
10*	Upper valve block	121130
11	Handle	264268
12	Spring	118020
13	O-ring (2)	115160
14	O-ring (2)	115120
15	Trigger valve stem	120220
16	Trigger valve body	120120
17	Trigger button	120310
*	Tune up kit (parts marked)	100KIT