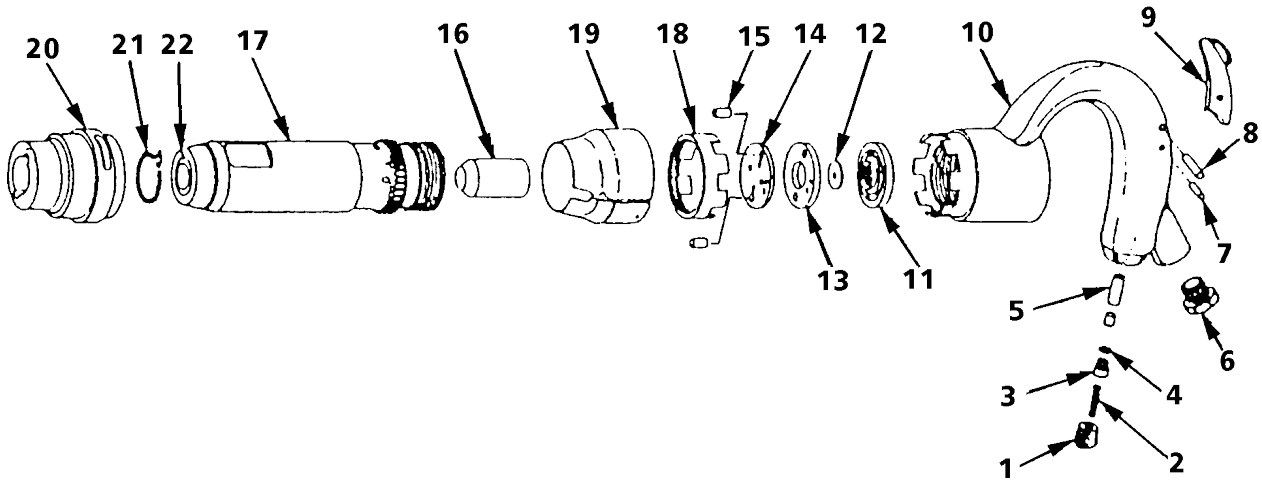


**MODEL UT 8642/43/44
Chipping Hammer**



Parts List

Ref. No.	Description	Part No.
1	Plug throttle valve	9729557
2	Spring throttle valve	9729558
3	Valve throttle	9729559
4	O-ring	9729304
5	Push rod	9729561
6	Bushing permanent	9729562
7	Stop pin	91009786
8	Throttle lever pin	9729563
9	Lever throttle	9729564
10	Handle	9729565
11	Lid upper valve case	9729566
12	Valve	9729567
13	Valve case	9729568
14	Lower valve case lid	9729569
15	Dowel pin (2)	9729571

Ref. No.	Description	Part No.
16	1" Piston for UT8641	8729572
	2" Piston for UT8642	9729572
	3" Piston for UT8643	9729573
	4" Piston for UT8644	9729574
17	1" Cylinder (UT8641R)	9731061
	2" Cylinder (UT8642R)	9729575
	3" Cylinder (UT8643R)	9729576
	4" Cylinder (UT8644R)	9729577
	1" Cylinder (UT8641H)	9731062
	2" Cylinder (UT8642H)	9729578
	3" Cylinder (UT8643H)	9729579
	4" Cylinder (UT8644H)	9729580
18	Lock	9729581
19	Lock shield	9729582
20	Retainer sleeve	9729583
21	Lockcoil spring	9729584
22	Cylinder bushing (round)	9731063A
22	Cylinder bushing (hex)	9731064A