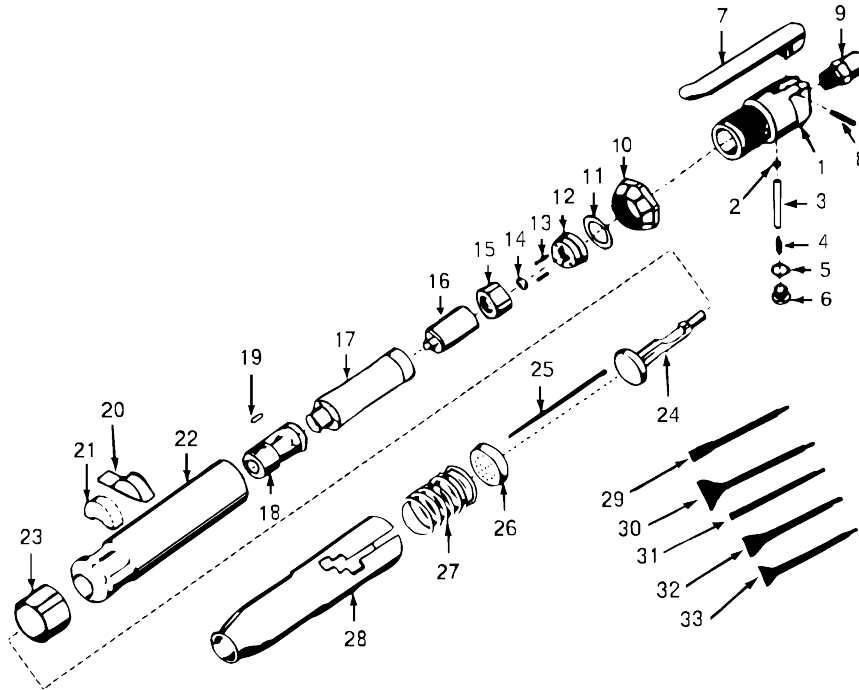


**MODEL UT 8630 / UT 8635
Scaler / Needle Scaler**



Parts List

Ref. No.	Description	Part No.
1	Backhead	9730213
2	O-Ring	9729591
3	Throttle Valve	9730214
4	Spring	9730215
5	O-Ring	91008365
6	Valve Cap	9730216
7	Lever	9730217
8	Pin	9729538
9	Hose Adapter	9729747
10	Locking Ring	9729597
11	Alignment Shim	9730218
12	Rear Valve Block	9729608
13	Pin	91012591
14	Valve	9729604
15	Front Valve Block	9729606
16	Piston	9730219
17	Barrel Sleeve	9731008
18	Nose	9731009

Ref. No.	Description	Part No.
19	Key	9731010
20	Driver Retainer	9730220
21	Retainer Buffer	9730221
22	Barrel Assembly (Incl. Items #17, 18 & 19)	9730223
23	Retainer Clip	9730222
24	Needle Driver	9730224
25	Needle (19)	9730280
26	Needle Holder	9730225
27	Spring	9730226
28	Needle Tube (Round)	9730227
29	3/4" Cold Flat Chisel	UTA88392
*30	2 1/2" Blade Chisel	UTA88390
*31	Blank Chisel	UTA88391
*32	1 3/8" Blade Chisel	UTA88392
*33	Angle Blade Chisel Needle Attachment UT8630 (Incl. Items #24, 25, 26, 27, 28)	UTA88394 UTA88398