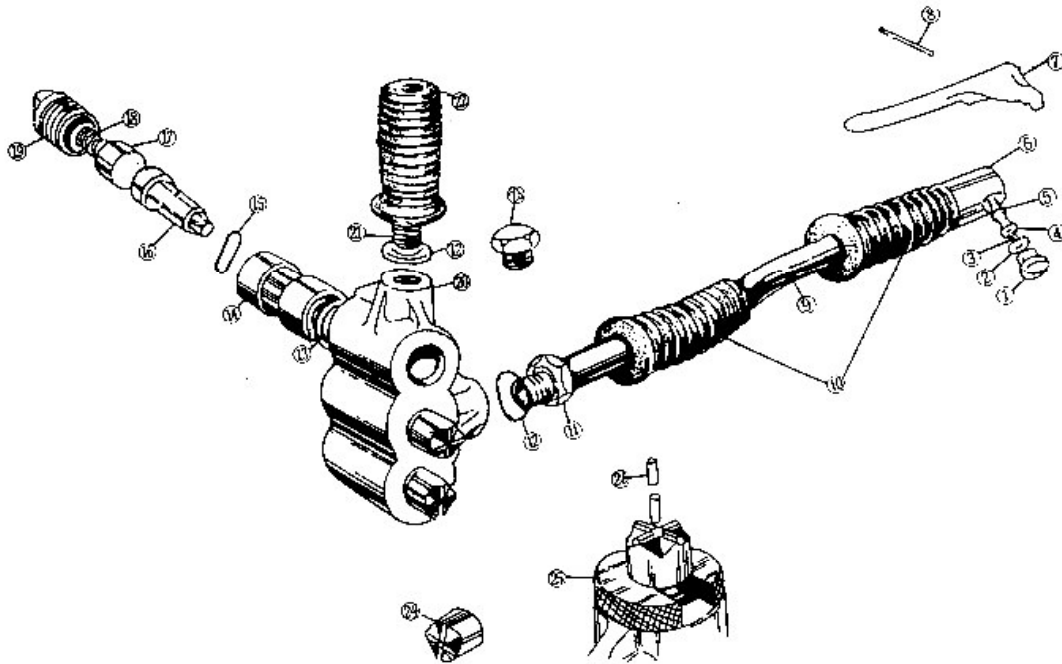


MODEL UT 8603 Scaler



Parts List

Ref. No.	Description	Part No.
1	Valve Cap	9860301
2	O-Ring Valve Cap	9860302
3	Valve Spring	9860303
4	Valve Stem	9860304
5	O-Ring Valve Seat	9860305
6	Valve Body	9860306
7	Throttle Lever	9860307
8	Roll Pin	9860308
9	Handle	9860309
10	Rubber Handle (2)	9860310
11	Grip	9860311
12	Locknut	9860311
13	O-Ring (2)	9860312
	Brush Seal	9860313

Ref. No.	Description	Part No.
14	Cylinder (3)	9860314
15	O-Ring (3)	9860315
16	Piston (3)	9860316
17	Spring Cap (3)	9860317
18	Spring (3)	9860318
19	Plunger Cap (3)	9860319
20	Body	9860320
21	Side Handle	9860321
22	Secondary Rubber Handle Grip	9860322
23	Plug	9860323
24	Head (Tungston Steel)	9860324
25	Washer	9860325
26	Bar	9860326