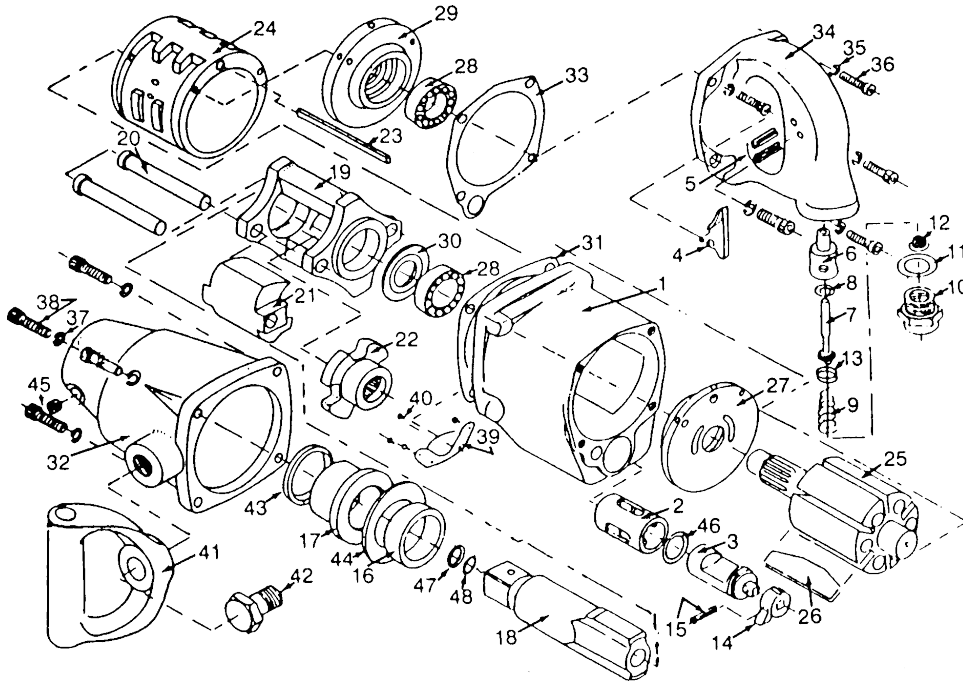


**MODEL UT 8420C / UT 8422C
1" Impact Wrench**



Parts List

Ref. No.	Description	Part No.
1	Motor Housing	9828001
2	Reverse Valve Bushing	9828002
3	Reverse Valve	9828003
4	Trigger	9828004
5	Pin	9828005
6	Throttle bushing	9828008
7	Throttle pin	9828007
8	O-Ring	9828006
9	Throttle spring	9828009
10	Hose adapter	9828010
11	Gasket	9828011
12	Air screen	9828031
13	O-Ring retainer	9828046
14	Reverse lever	9828014
15	Roll pin	9828013
16	Flange bushing	9828016
17	Anvil bushing	9828017
18	Std. Anvil (1" Drive)	9828018
18	Ext. Anvil (6")	9828049
19	Hammer Cage	9828019
20	Hammer pin	9828020
21	Hammer dog	9828021
22	Drive cam	9828022
23	Cylinder pin	9828032
24	Cylinder	9828024

Ref. No.	Description	Part No.
25	Rotor	9828025
26	Rotor blade (6)	9828026
27	Front end plate	9828027
28	Ball bearing (2)	9828028
29	Rear end plate	9828029
30	Bearing spacer	9828030
31	Gasket	9828023
32	Clutch housing	9828044
33	Gasket	9828033
34	Pistol grip handle	9828034
35	Lock washer (4)	9828035
36	Cap screw (4)	9828036
37	Lock washer (4)	9828037
38	Cap screw (4)	9828038
39	Exhaust deflector	9828039
40	Screw (4)	9828042
41	Dead handle	9828041
42	Dead handle bolt	9828040
43	Oil seal	9828015
44	Washer	9828047
45	Screw	9828043
46	O-Ring	9828012
47	Anvil collar	9828045
48	O-Ring	9828048