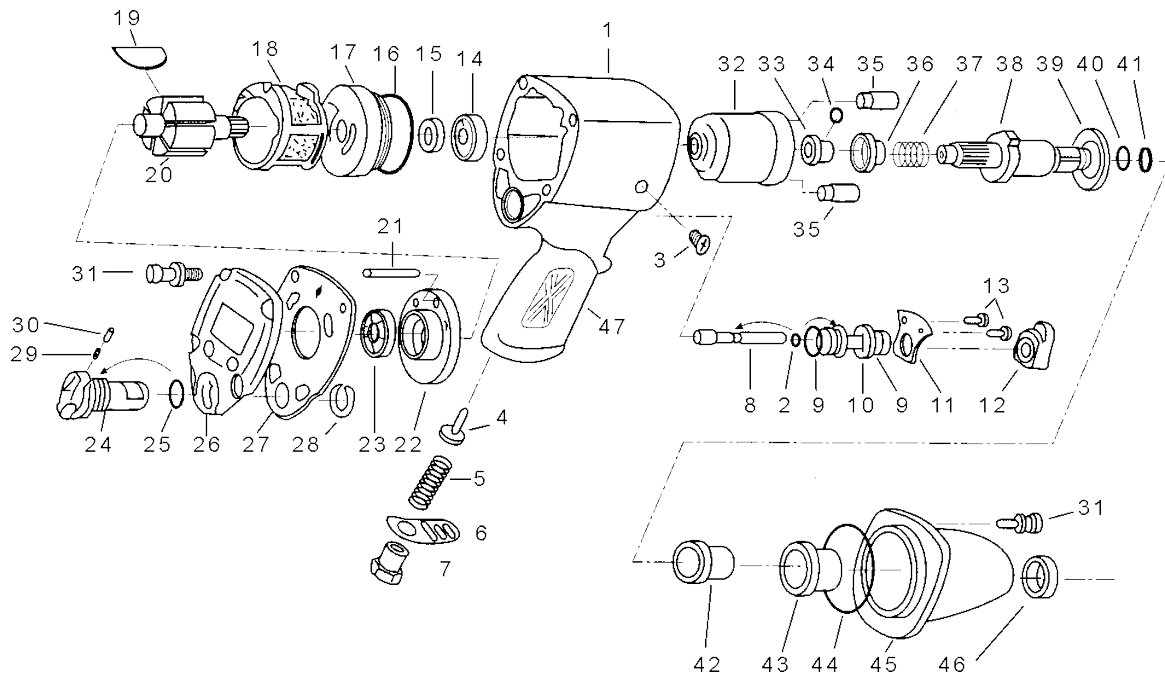


**MODEL UT 8340C / UT 8410C
3/4" & 1" Impact Wrench**



Parts List

Ref. No.	Description	Part No.
1	Motor Housing	8700595
2	O-Ring	8700308
3	Oil Plug	8729739
4	Valve Stem	8700596
5	Throttle Spring	8700597
6	Exhaust Deflector	8700598
7	Hose Adapter w/Screen	8700599
8	Throttle Pin	8700600
9	O-Ring (2)	8700202
10	Throttle Bushing	8700601
11	Stop Cover	8700602
12	Throttle Trigger	8700603
13	Lapping Screw (2)	8700077
14	Ball Bearing	8700604
15	Oil Seal	8700174
16	O-Ring	8700605
17	Front Plate	8700606
18	Cylinder	8700607
19	Rotor Blade (6)	8700608
20	Rotor	8700609
21	Guide Pin	8700610
22	Rear Plate	8700611
23	Ball Bearing	81008262
24	Air Reg. Reverse	8700612

Ref. No.	Description	Part No.
25	O-Ring	8700201
26	End Cap	8700613
27	End Cap Gasket	8700614
28	CE Ring	8700206
29	Stop Pin Spring	8700312
30	Stop Pin	8700474
31	Cap Screw w/lockwasher (8)	8700615
32	Hammer Cage	8700616
33	Cam Ball Pilot	8574035
34	Cam Ball	8574034
35	Hammer Pin	8700617
36	Hammer Cam	8574033
37	Cam Release Spring	8700618
38	Anvil 3/4" (Standard)	8700619
39	Anvil Spacer	8700621
40	O-Ring	8729774
41	Socket Retaining Ring	8729775
42	Anvil Collar	8700622
43	Steel Housing Bushing	8700623
44	O-Ring	8700624
45	Steel Housing	8700629
46	Oil Seal	8729740
47	Rubber Handle Anvil 1"	8700627