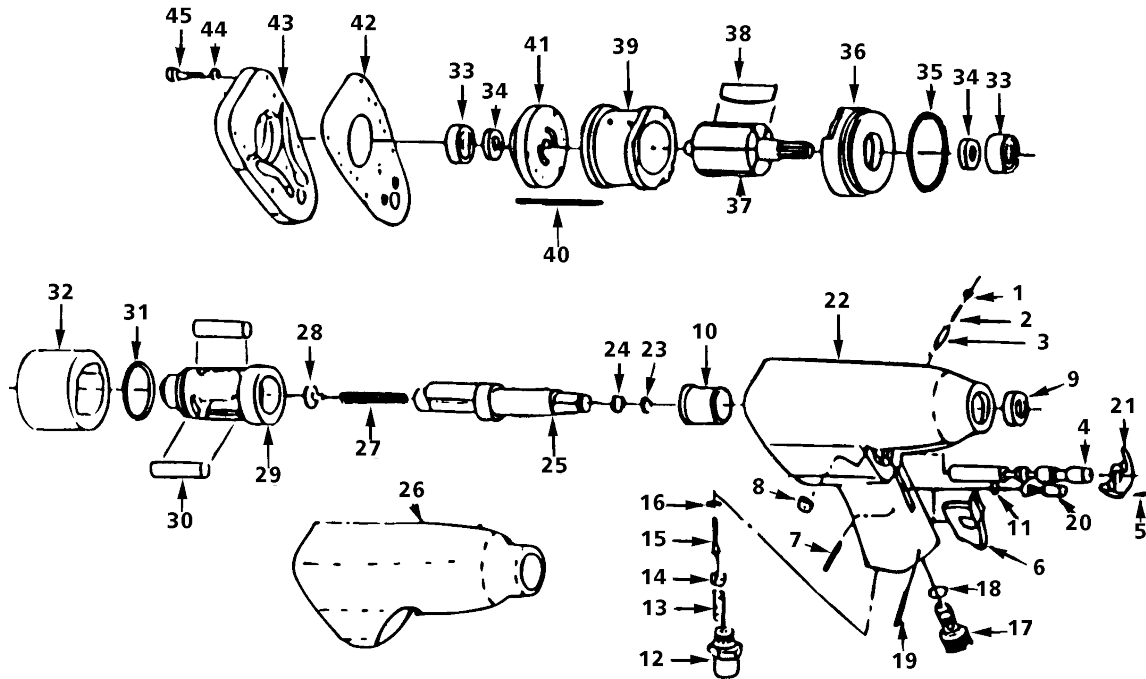


MODEL UT 8310R/C 3/4" Impact Wrench



Parts List

Ref. No.	Description	Part No.
1	Retaining plug	8729433
2	Stop pin spring	8729434
3	Stop pin	8729736
4	Reversing valve	8729737
5	Deflector screw (2)	8729438
6	Trigger	8729439
7	Trigger pin	8729006
8	Oil fill plug	8729239
9	Oil seal	8729740
10	Anvil bushing	8729741
11	O-ring	8729448
12	Hose adaptor	8729747
13	Valve spring	8729748
14	O-ring retainer	8729749
15	Valve stem	8730026
16	O-Ring	81008127
17	Air regulator	8730043
18	O-Ring	81008695
19	Air reg. stop pin	8700216
20	Plunger	8730080
21	Exhaust deflector	8731215
22	Motor housing	8731213
23	Socket retaining ring	8729775

Ref. No.	Description	Part No.
24	O-Ring	8729774
25	Anvil (ring)	8729773
25	Anvil (combination)	8729773-C
26	Housing boot	8731219
27	Spring	8729772
28	Thrust button	8729771
29	Cage	8730053
30	Pin (2)	8730054
31	O-Ring	8729768
32	Hammer	8729767
33	Ball bearing (2)	81008262
34	Seal (2)	8729765
35	O-Ring	8729764
36	Front plate	8731224
37	Rotor	8729761
38	Rotor blade (6)	8729762
39	Cylinder	8731223
40	Dowel pin	8731901
41	Rear plate	8731222
42	Gasket	8731235
43	End cap	8731236
44	Lock washer (4)	8729754
45	End cap (4) screw w/washer	8729753