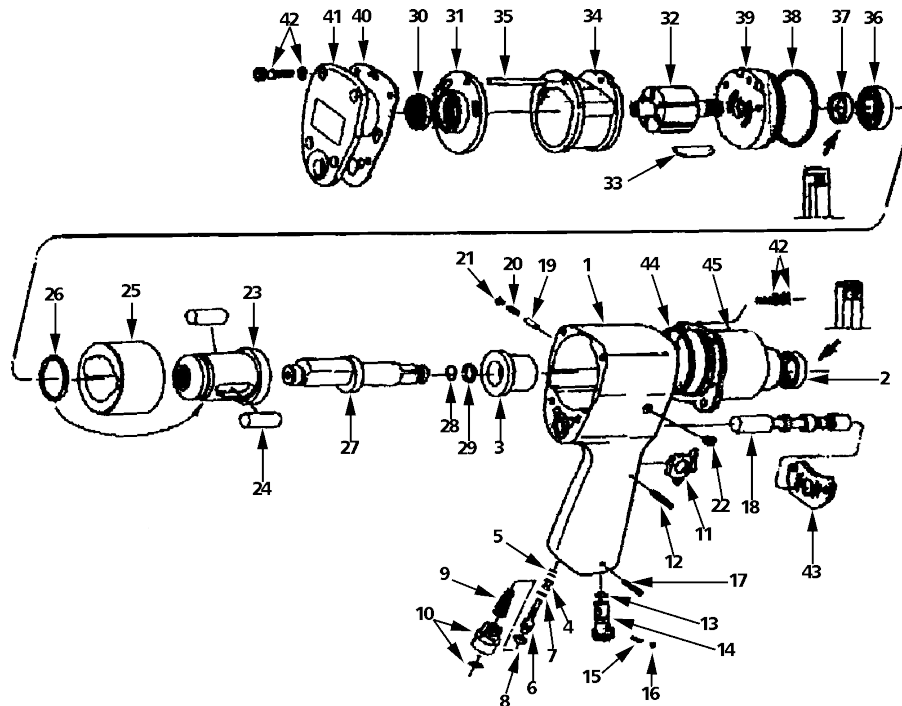


**MODEL UT 8130R
1/2" Impact Wrench**



Parts List

Ref. No.	Description	Part No.	Ref. No.	Description	Part No.
1	Motor housing	8760325	24	Pin (2)	8730018
2	Oil seal	8730022	25	Hammer	8730068
3	Housing bushing	8730021	26	O-Ring	8729426
4	Plunger	8729449	27	Anvil	8730039
5	O-Ring (2)	8729448	28	O-Ring	81008695
6	Push rod	8730026	29	Socket retainer ring	81013129
7	O-Ring	81008127	30	Ball bearing	8729020
8	O-Ring retainer	8729749	31	Rear plate	8730031
9	Valve spring	8729748	32	Rotor	8730185
10	Inlet bush. (w/screen)	8729747	33	Rotor blade (6)	8730186
11	Trigger	8729439	34	Cylinder	8730184
12	Trigger pin	8729006	35	Motor pin	8730032
13	O-Ring	8729088	36	Ball bearing	8729478
14	Regulator (w/15 & 16)	8730043	37	Oil seal	8729477
15	Regulator spring	8731124	38	O-Ring	8730036
16	Regulator ball	8731125	39	Front plate	8730035
17	Regulator pin	8729093	40	Gasket	8730030
18	Reversing valve	8729436	41	End cap	8730028
19	Rev. valve stop pin	8729435	42	Cap screw (8)	8729462A
20	Stop pin spring	8729434	43	Exhaust deflector	8729437A
21	Retainer plug	8729433	44	O-Ring	8760326
22	Oil fill plug	8729739	45	Clutch housing	8760327
23	Cage	8730038			