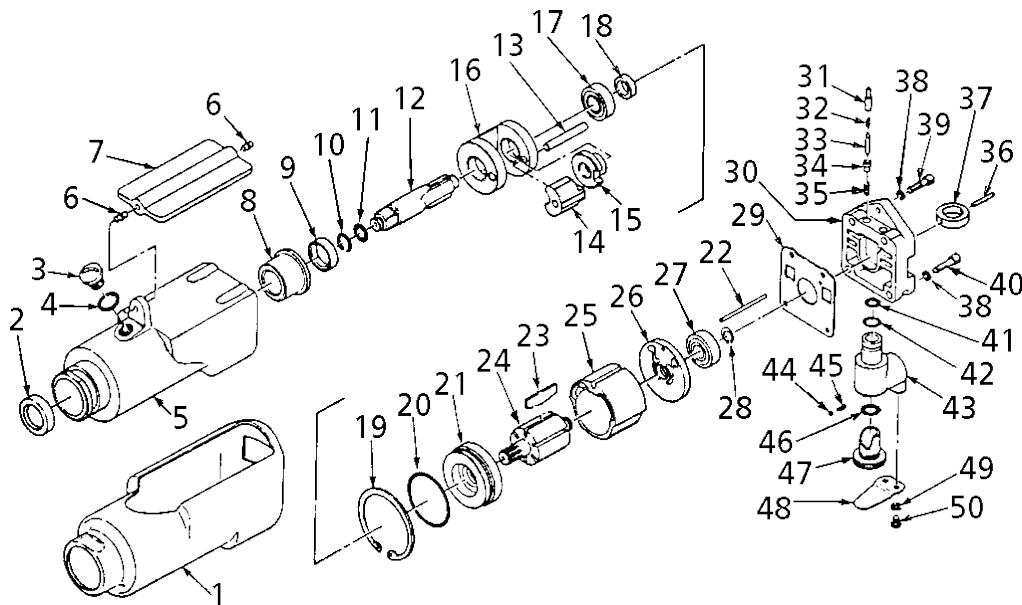


MODEL UT 8025R 3/8" Impact Wrench



Parts List

Ref. No.	Description	Part No.
1	Housing cover	8900266
2	• Oil seal	8729028
3	Plug	8729032
4	• O-ring	81012370
5	Motor Housing	8731903
6	Throttle lever pin (2)	8729055
7	Throttle lever	8731916
8	Anvil bushing	8729026
9	Collar	8729025
10	• Socket retainer	8729024
11	• O-ring	8729480
12	3/8" Sq. Anvil	8729023-R
13	Hammer pin	8729022
14	Hammer dog	8729031
15	Cam	8729030
16	Hammer cage	8729021
17	Ball bearing	8729020
18	• Oil seal	8729019
19	Retaining ring	8731915
20	• O-ring	8729018
21	Front plate	8731914
22	Motor pin	8729010
23	• Rotor blade (6)	8729015
24	Rotor	8729014
25	Cylinder	8729068

Ref. No.	Description	Part No.
26	Rear plate	8731913
27	Ball bearing	8729012
28	• Retaining ring	8729011
29	• Motor gasket	8731905
30	Housing cap	8900124
31	Plunger (2)	8731906
32	Plunger spring (2)	8731907
33	Valve pin (2)	8731908
34	• Valve plug (2)	8731909
35	Valve spring (2)	8731910
36	Roll pin	8900127
37	Collar	8900125
38	Washer (4)	8731917
39	Cap screw (2)	8731918
40	Cap screw (2)	8731919
41	• O-ring	8900380
42	• O-ring	8729073
43	Inlet bushing	8900126
44	Steel ball	81005164
45	Spring	8729076
46	• O-ring	8729088
47	Air regulator	8729078
48	Retainer plate	8729079
49	Lock washer (2)	8729133
50	Screw (2)	8729081
(•)	Tune up kit	720A KIT