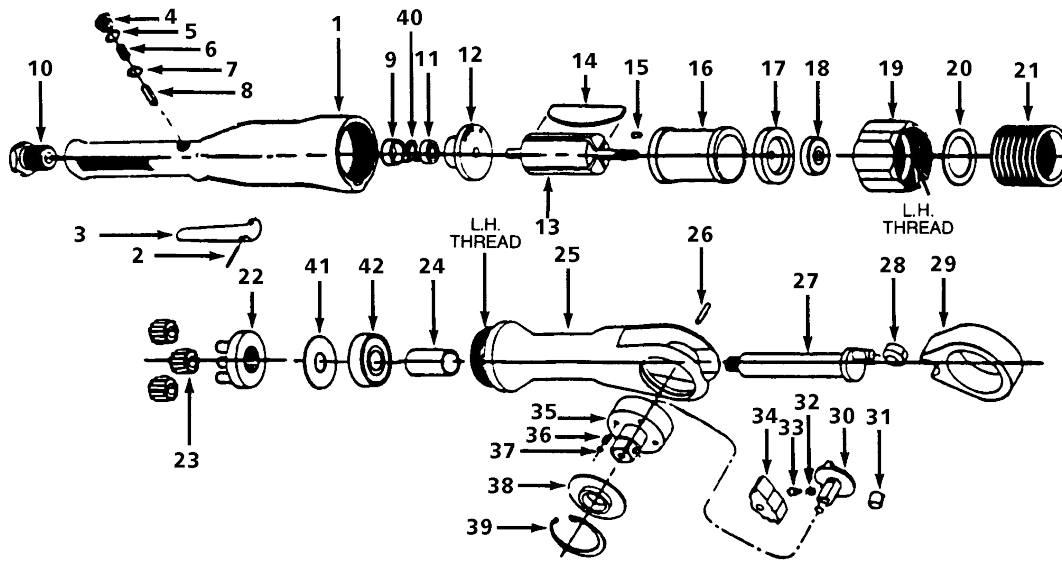


MODEL UT 8010 1/2" Ratchet



Parts List

Ref. No.	Description	Part No.
1	Motor housing	8732148
2	Lever pin	8732150
3	Lever	8732151
4	Valve screw	8732152
5	• O-Ring	8732153
6	Spring	8732154
7	• O-ring	8732155
8	Plunger	8732156
9	• Bearing cap	8732157
10	Hose adaptor	8732158
11	• Ball bearing	8729188
12	Rear end plate	8732160
13	Rotor	8732161
14	• Rotor blade (4)	8732162
15	Dowel pin	8732163
16	Cylinder	8732164
17	Front end plate	8732165
18	Ball bearing	8732166
19	Clamp nut	8732167
20	Washer	8732168
21	Internal gear	8732169
22	Idler gear plate	8732170
23	Idler gears (3)	8732171

Ref. No.	Description	Part No.
24	Needle bearing	8732173
25	Ratchet housing	8732174
26	Dowel pin	8732175
27	Crank shaft	8732176
28	Drive bushing	8732177
29	Yoke	8732178
30	Reverse button	8732179
31	Pin	8732180
32	• Ratchet spring	8732181
33	Lock pin	8732182
34	Ratchet pawl	8732183
35	Ratchet anvil	8732184
36	• Spring (2)	8732185
37	• Steel ball (2)	8732186
38	Thrust washer	8732187
39	Retaining ring	8732188
40	Retaining ring	8732189
41	Fiber washer	8732190
42	Ball bearing	8732191
D	Ratchet head assembly	729139
D	Spline gear removal tool	729 Tool
(D)	Not shown	
(•)	Items recommended for tune up	