

ST. LOUIS PNEUMATIC

SLP-4030

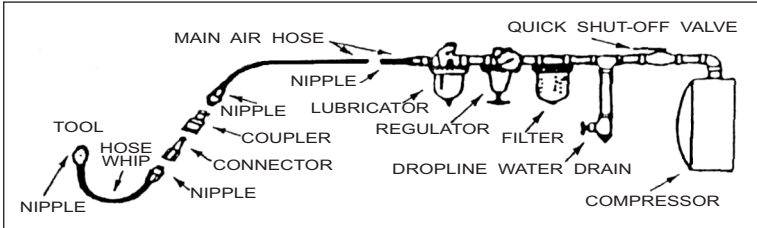
90° Angle Drill for Threaded Drill Bits Owners Manual

SAFETY INSTRUCTIONS

1. **REVIEW THIS ENTIRE MANUAL BEFORE OPERATING YOUR AIR TOOL.**
2. **BEFORE MOUNTING ACCESSORIES** and before placing tool in service, check the free running spindle speed with 90 PSI at the tool inlet. Periodically check the tool's free speed.
3. **ALWAYS WEAR APPROVED EYE PROTECTION.** Use a dust mask if the operation creates dust.
4. **PROTECT YOURSELF FROM NOISE.** Noise levels vary with work surface. If noise level is high, wear ear protectors.
5. **WEAR GLOVES AND PROTECTIVE CLOTHING** to avoid injuries caused by chips or pieces, malfunctioning attachments, or improperly clamped work.
6. Prolonged exposure to vibration may cause injury.
7. **NEVER USE THIS AIR TOOL AT AIR PRESSURE ABOVE 90 PSI AT TOOL INLET. THIS IS AN UNGOVERNED TOOL AND ITS FREE SPEED WILL INCREASE IN PROPORTION TO ANY INCREASE IN AIR PRESSURE ABOVE 90 PSI.** Control air pressure with a reliable automatic air regulator. Periodically monitor air pressure at tool's air inlet while tool is running free speed.
8. **USE ONLY ACCESSORIES** with R.P.M. (speed) rating **AT** or **ABOVE** the **ACTUAL** free speed of the air tool. **THE RATED FREE RUNNING SPEED OF THIS TOOL** is 2,500 R.P.M.
9. **DISCONNECT TOOL FROM AIR SUPPLY BEFORE CHANGING OR INSPECTING ACCESSORIES.** Do not perform service work on tool while connected to an air supply.
10. **IF A SUDDEN CHANGE OCCURS** in the feel (vibration level) or sound (pitch) of the unit, the tool should be **IMMEDIATELY TURNED OFF** and the work head inspected for damage. Do not use cracked or chipped accessories.
11. **HANDLE THE TOOL SAFELY.** Do not carry the tool with a finger on or near the throttle while the tool is connected to an air supply. Do not carry the angle drill by the hose. Protect the hose from heat and sharp objects.
12. **WHEN NOT IN USE, DISCONNECT TOOL FROM AIR SUPPLY** to prevent accidental or unauthorized use in the absence of the operator.
13. Before placing tool into service, refer to and become familiar with the following:
 - a. General Industry and Health Safety Regulations, Title 29 Code of Federal Regulation, Part 1910, available from superintendent of documents, Government Printing Office, Washington DC 20402.
 - b. Safety Code for Portable Air Tools, ANSI B186.1 available from: American National Standards Institute, Inc., 1430 Broadway, New York, NY 10018.

AIR SUPPLY AND CONNECTIONS

The angle drill is designed to operate at 90 PSI maximum air pressure at the tool when the tool is running. Less pressure prevents the tool from delivering its rated power. Air pressure over 90 PSI at the tool will cause tool to over speed and may result in tool exceeding the accessory strength. The air supply must be water-free; therefore, a drop line or water trap should be used to remove condensation. In addition, an air line lubricator is strongly recommended to insure proper operation and long life of motor parts.



Shown above is the recommended order of filter, regulator, lubricator, line couplers and hose whip.

The minimum pipe size to be used is 1/4" and no fitting should be used that has an orifice of less than 7/32" diameter. If a quick disconnect coupler is used, it should not be attached directly at the handle of the angle drill, but spaced off with a hose whip, in order to prevent breakage of fittings.

OPERATION

1. **REVIEW SAFETY INSTRUCTIONS.**
2. The tool is started by depressing first the safety toggle lever and then the throttle which is spring loaded. The tool returns to the off position when released.
3. Always wear safety goggles and protective clothing when operating the tool.

GENERAL MAINTENANCE

A parts breakdown is shown on the opposite page of this Owner's Manual and details all the parts included in the tool. Refer to this sheet when cleaning, inspecting, or when ordering parts becomes necessary.

ROTOR VANES - Vane life depends upon proper lubrication. Test the tool frequently for proper operation. It is suggested that the tool be inspected on at least an annual basis by an authorized repair station.

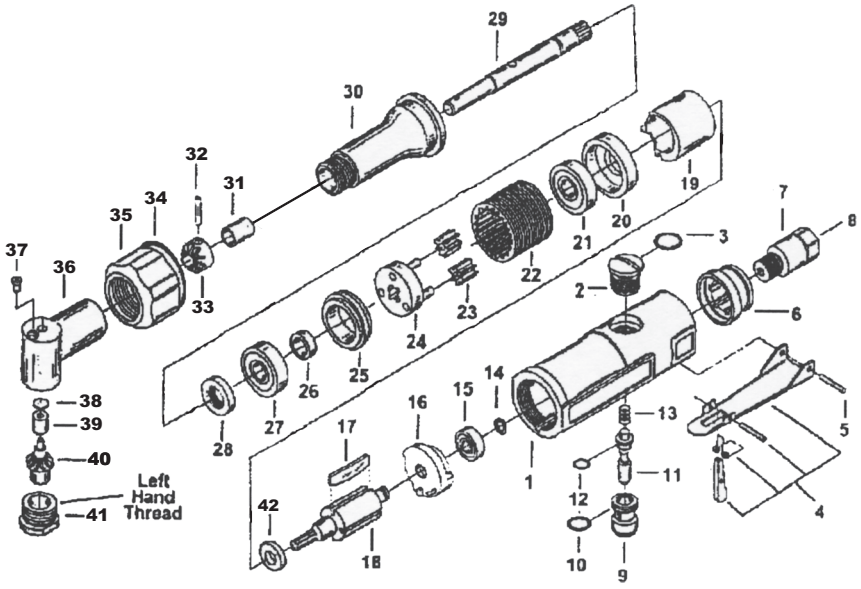
LUBRICATION - To ensure proper operation, lubricate motor prior to initial use. If in-line lubricator is not used, add a few drops of oil into air inlet daily. Heavy oils are not recommended. For best results, use St. Louis Pneumatic Air tool Oil.

OPERATIONAL SPECIFICATIONS

Free Speed	2,500 RPM
Required Air Pressure	90 PSI
Average Air Consumption	3 CFM
Air Inlet Size	1/4" NPT
Hose Size	3/8" ID
Horse Power	3

SLP - 4030

90° Angle Drill for Threaded Drill Bits



Parts List

Index No.	Part No.	Description
1.	2005.4	Housing
2.	7073	Valve Plug
3.	4014.3	O-Ring w/Teflon
4.	1110	Throttle Assembly
5.	5015	Rollpin
6.	7074	Exhaust Duct
7.	3027	Hose Adapter
8.	5030	Screen (not shown)
9.	3008	Trigger Body
10.	4000	O-Ring
11.	3007	Trigger Stem
12.	4005	O-Ring
13.	6023	Spring
14.	6014	Retaining Ring
15.	6004	Bearing
16.	7036	Rear End Plate
17.	4011	Vane (4)
18.	3173	Rotor
19.	7055	Cylinder
20.	7045	Front End Plate
21.	6099	Bearing
22.	3089	Internal Gear
23.	3172	Idler Gear (3)
24.	1216	Gear Plate Assembly
25.	3166	Alignment Ring
26.	3174	Spacer
27.	6008.1	Bearing
28.	6075	Oil Seal
29.	3170.1	Pinion Shaft
30.	3171	Spindle Housing
31.	6105	Sleeve Bearing
32.	5031	Dowel Pin
33.	3164	Miter Gear
34.	4041	O-Ring
35.	3088	Locknut
36.	2021	Angle Head
37.	6055	Grease Fitting
38.	8028	Thrust Plate
39.	6106	Needle Bearing
40.	3165	Miter Gear
41.	3168	Spindle Bushing
42.	3193	Rotor Spacer

LIMITED LIFETIME WARRANTY

St. Louis Pneumatic warrants this tool to be free from defects in materials and workmanship. Tools thought to be defective should be returned to the factory, or an authorized repair station, transportation charges prepaid, for an examination and consequent repair or replacement.

This Warranty does not cover damage to tools arising from normal wear and tear, alteration, abuse or use for other than their intended purpose and does not cover any repairs or replacement made by anyone other than St. Louis Pneumatic or the authorized repair stations.

The duration of this Warranty and any implied Warranty of Merchantability is expressly limited to 1 year beginning from the date of delivery to the original user. The obligation of St. Louis Pneumatic under this Warranty, express or implied, is limited solely to the repair or replacement, at the factory, or authorized repair station, of any part which shall prove defective.

St. Louis Pneumatic further warrants that, no repair charge shall exceed \$90.00, excluding freight charges, when the tool is returned to the St. Louis Pneumatic factory for repair.

These Warranties are void unless the Warranty Registration Card is completed and returned to St. Louis Pneumatic within ten (10) days after the date of delivery to the user.

ST. LOUIS PNEUMATIC

1590 W. Lark Industrial
Fenton, Missouri 63026
(800) 272-6510 • Fax (636) 376-0595
Email: contact@stlouispneumatic.com
www.stlpneumatic.com