

# ST. LOUIS PNEUMATIC

---

## Heavy Duty Die Grinder SLP-3025

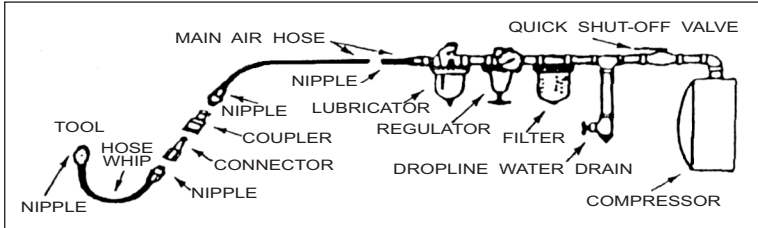
### Owner's Manual

#### SAFETY INSTRUCTIONS

1. **REVIEW THIS ENTIRE MANUAL BEFORE OPERATING YOUR AIR TOOL.**
2. **BEFORE MOUNTING ACCESSORIES** and before placing tool in service, check the free running spindle speed with 90 PSI at the tool inlet. Periodically check the tool's free speed.
3. **ALWAYS WEAR APPROVED EYE PROTECTION.** Use a dust mask if the operation creates dust.
4. **PROTECT YOURSELF FROM NOISE.** Noise levels vary with work surface. If noise level is high, wear ear protectors.
5. **WEAR GLOVES AND PROTECTIVE CLOTHING** to avoid injuries caused by chips or pieces, malfunctioning attachments, or improperly clamped work.
6. **NEVER USE THIS AIR TOOL AT AIR PRESSURE ABOVE 90 PSI AT TOOL INLET. THIS IS AN UNGOVERNED TOOL AND ITS FREE SPEED WILL INCREASE IN PROPORTION TO ANY INCREASE IN AIR PRESSURE ABOVE 90 PSI.** Control air pressure with a reliable automatic air regulator. Periodically monitor air pressure at tool's air inlet while tool is running free speed.
7. **USE ONLY ACCESSORIES** with R.P.M. (speed) rating **AT** or **ABOVE** the **ACTUAL** free speed of the air tool. **THE RATED FREE RUNNING SPEED OF THIS TOOL** is 20,000 R.P.M.
8. **DISCONNECT TOOL FROM AIR SUPPLY BEFORE CHANGING OR INSPECTING ACCESSORIES.** Do not perform service work on tool while connected to an air supply.
9. **IF A SUDDEN CHANGE OCCURS** in the feel (vibration level) or sound (pitch) of the unit, the tool should be **IMMEDIATELY TURNED OFF** and the work head inspected for damage. Do not use cracked or chipped wheels, discs, wire brushes, mounted stones, etc.
10. **HANDLE THE TOOL SAFELY.** Do not carry the tool with a finger on or near the throttle while the tool is connected to an air supply. Do not carry the die grinder by the hose. Protect the hose from heat and sharp objects.
11. **WHEN NOT IN USE, DISCONNECT TOOL FROM AIR SUPPLY** to prevent accidental or unauthorized use in the absence of the operator.
12. **KEEP VISITORS AT A SAFE DISTANCE** and out of line with the tool's work head and work surface.

## AIR SUPPLY AND CONNECTIONS

The die grinder is designed to operate at 90 PSI maximum air pressure at the tool when the tool is running. Less pressure prevents the tool from delivering its rated power. Air pressure over 90 PSI at the tool will cause tool to over speed and may result in tool exceeding the accessory strength. The air supply must be water-free; therefore, a drop line or water trap should be used to remove condensation. In addition, an air line lubricator is strongly recommended to insure proper operation and long life of motor parts.



Shown above is the recommended order of filter, regulator, lubricator, line couplers and hose whip.

The minimum pipe size to be used is 1/4" and no fitting should be used that has an orifice of less than 7/32" diameter. If a quick disconnect coupler is used, it should not be attached directly at the handle of the die grinder, but spaced off with a hose whip, in order to prevent breakage of fittings.

## OPERATION

1. **REVIEW SAFETY INSTRUCTIONS.**
2. The tool is started by depressing first the safety toggle lever and then the throttle which is spring loaded. The tool returns to the off position when released.
3. Always wear safety goggles and protective clothing when operating the tool.

## GENERAL MAINTENANCE

A parts breakdown is shown on the opposite page of this Owner's Manual and details all the parts included in the tool. Refer to this sheet when cleaning, inspecting, or when ordering parts becomes necessary.

**ROTOR VANES** - Vane life depends upon proper lubrication. Test the tool frequently for proper operation. It is suggested that the tool be inspected on at least an annual basis by an authorized repair station.

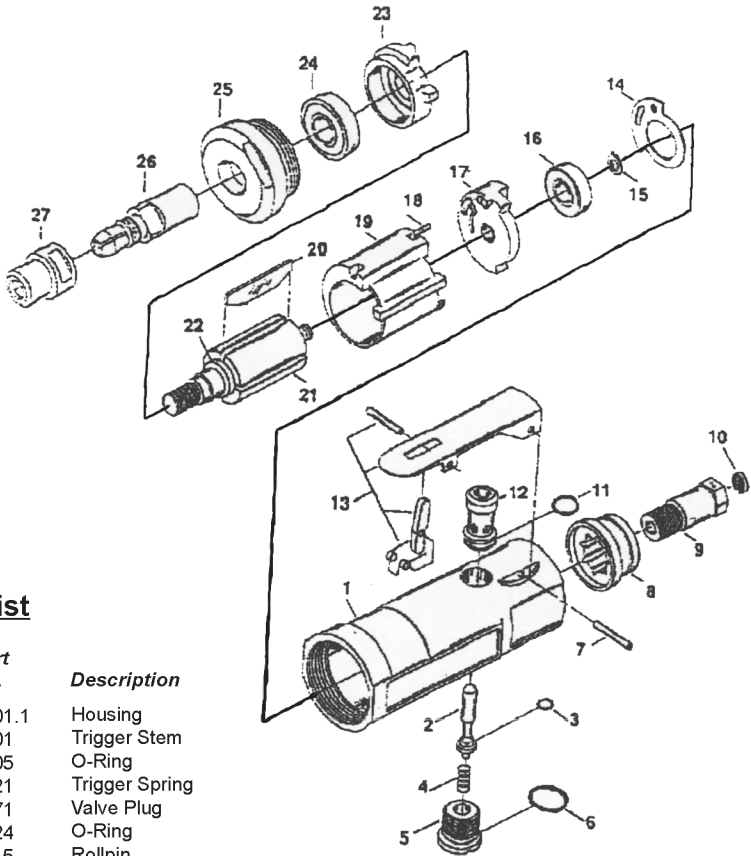
**LUBRICATION** - To ensure proper operation, lubricate motor prior to initial use. If in-line lubricator is not used, add a few drops of oil into air inlet daily. Heavy oils are not recommended. For best results, use St. Louis Pneumatic Air Tool Oil.

## OPERATIONAL SPECIFICATIONS

Free Speed . . . . .	20,000 RPM
Required Air Pressure . . . . .	90 PSI
Average Air Consumption . . . . .	4 CFM
Air Inlet Size . . . . .	1/4" NPT
Hose Size . . . . .	3/8" ID

# Heavy Duty Die Grinder

## SLP-3025



### Parts List

Index No.	Part No.	Description
1.	2001.1	Housing
2.	3001	Trigger Stem
3.	4005	O-Ring
4.	6021	Trigger Spring
5.	7071	Valve Plug
6.	4024	O-Ring
7.	5015	Rollpin
8.	7072	Exhaust Duct
9.	3016	Hose Adapter
10.	5030	Screen
11.	4009	O-Ring
12.	3002	Trigger Body
13.	1110	Throttle Assembly
14.	4001	Gasket
15.	6011	Retaining Ring
16.	6003	Ball Bearing
17.	1254	Rear End Plate Assembly
18.	5013	Rollpin
19.	7050	Cylinder
20.	4010	Rotor Vane (4)
21.	3011	Rotor
22.	3020	Rotor Spacer (when req'd)
23.	1253	Front End Plate Assembly
24.	6001	Ball Bearing
25.	1161	Locknut Assembly
26.	3060	Collet
27.	3061	Collet Nut

SLP-3025  
9203-05/05

## Limited Warranty

St. Louis Pneumatic warrants this tool to be free from defects in materials and workmanship. Tools thought to be defective should be returned to the factory, or an authorized repair station, transportation charges prepaid, for an examination and consequent repair or replacement.

This Warranty does not cover damage to tools arising from normal wear and tear, alteration, abuse or use for other than their intended purpose and does not cover any repairs or replacement made by anyone other than St. Louis Pneumatic or the authorized repair stations.

The duration of this Warranty and any implied Warranty of Merchantability is expressly limited to 2 year beginning from the date of delivery to the original user. The obligation of St. Louis Pneumatic under this Warranty, express or implied, is limited solely to the repair or replacement, at the factory, or authorized repair station, of any part which shall prove defective.

St. Louis Pneumatic further warrants that, during the life of this tool, no repair charge shall exceed \$30.00, excluding freight charges, when the tool is returned to the St. Louis Pneumatic factory for repair.

**These Warranties are void unless the Warranty Registration Card is completed and returned to St. Louis Pneumatic within ten (10) days after the date of delivery to the user.**

### ***ST. LOUIS PNEUMATIC***

1590 West Lark Industrial Drive

Fenton, MO 63026

(800) 272-6510

Fax: (636) 376-0595

Email: [pneumatic@primary.net](mailto:pneumatic@primary.net)