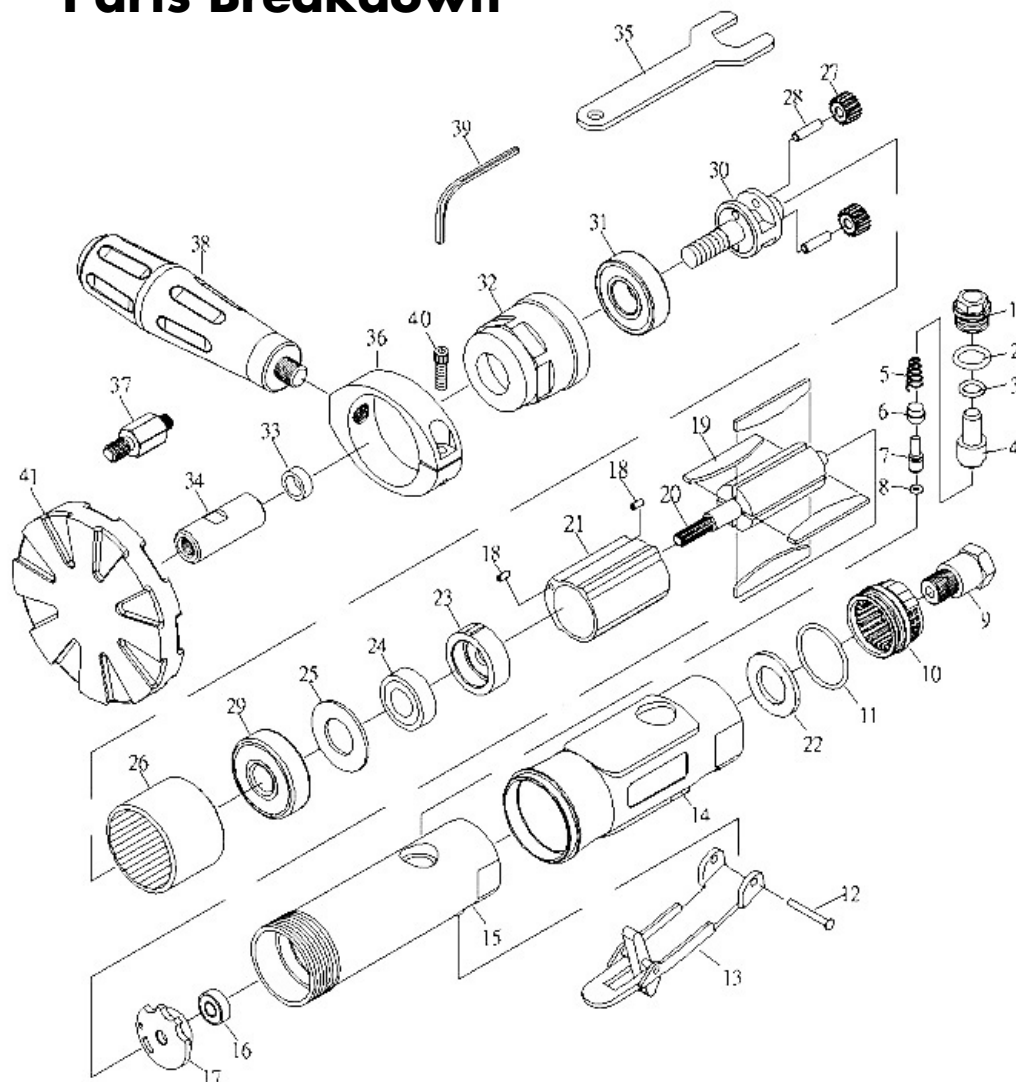


# SE315A

## Pin Stripe Removal Tool

# Parts Breakdown



**Item #43 - RS31543**

Item number 43 is **NOT** included with the SE315A, but is available for purchase. (This item is packaged with the eraser pads in the SE315KA.)

#	Part#	Description	Qty.	#	Part#	Description	Qty.
1	RS31501	Screw	1	23	RS31523	Front Plate	1
2	RS31502	O-Ring (P12)	1	24	RS30524	Bearing (608ZZ)	1
3	RS31503	O-Ring (P-8)	1	25	RS31525	Washer	1
4	RS31504	Air Regulator	1	26	RS31526	Gear Link (42T)	1
5	RS31505	Spring	1	27	RS31527	Gear (18T) (2600 RPM)	2
6	RS31506	Valve Stem bushing	1	28	RS31528	Idle Gear Pin	2
7	RS31507	Valve Stem	1	29	RS227B25	Bearing (6001ZZ)	1
8	RS31508	O-Ring (3.5 x 1.5)	1	30	RS31530	Gear Plate	1
9	RS31509	Air Inlet	1	31	RS29120	Bearing (6200ZZ)	1
10	RS31510	Exhaust Sleeve	1	32	RS31532	Clamp Nut	1
11	RS31511	O-Ring (26.7 x 1.78)	1	33	RS31533	Washer	1
12	RS31512	Pin	1	34	RS31534	Shaft	1
13	RS31513	Lever	1	35	RS31535	Stop Spanner (14mm)	2
14	RS31514	Protecting Rubber	1	36	RS31536	Retainer	1
15	RS31515	Housing	1	37	RS31537	Male End Adapter for 3M® Pad*	1
16	RS30516	Bearing (696ZZ)	1	38	RS31538	Handle	1
17	RS31517	Rear Plate	1	39	RS31539	Hex Wrench	1
18	RS31518	Pin	2	40	RS31540	Screw	1
19	RS31519	Rotor Blade	4	41	SE315EP	Replacement Eraser (set of 2)	
20	RS31520	Rotor (6T)	1	43	RS31543	Holder/Washer Set (see inset above)	
21	RS31521	Cylinder	1				
22	RS31522	Cone Muffler	1				

\*3M is a registered trademark.