

- Operating Instructions
- Warning Information
- Parts Breakdown

**MATCO
TOOLS**



! WARNING

-  **ALWAYS READ INSTRUCTIONS BEFORE USING POWER TOOLS**
-  **ALWAYS WEAR SAFETY GOGGLES**
-  **WEAR HEARING PROTECTION**
-  **AVOID PROLONGED EXPOSURE TO VIBRATION**

! WARNING

Some dust created by power sanding, sawing, grinding, drilling, and other construction activities contains chemicals known to cause cancer, birth defects or other reproductive harm. Some examples of these chemicals are:

- lead from lead-based paints,
- crystalline silica from bricks and cement and other masonry products, and
- arsenic and chromium from chemically-treated lumber.

Your risk from these exposures varies, depending on how often you do this type of work. To reduce your exposure to these chemicals: work in a well ventilated area, and work with approved safety equipment, such as those dust masks that are specially designed to filter out microscopic particles.

SPECIFICATIONS

Max. Free Speed15,000 rpm
Air Inlet1/4" NPT
Air Hose Size3/8" ID
Recom. Air Pressure90 psig
Air Consumption4 CFM
Length4-3/4"
Weight1-2/3 lbs.

RL430

Mini DA Sander

!WARNING

FAILURE TO OBSERVE THESE WARNINGS COULD RESULT IN INJURY.

This Instruction Manual Contains Important Safety Information.



Read THIS INSTRUCTION MANUAL Carefully and understand ALL Information Before Operating This Tool.

- Always operate, inspect and maintain this tool in accordance with American National Standards Institute Safety Code of Portable Air Tools (ANSI B186.1) and any other applicable safety codes and regulations.



- For safety, top performance and maximum durability of parts, operate this tool at 90 psig 6.2 bar max air pressure with 3/8" diameter air supply hose.

- Always wear impact-resistant eye and face protection when operating or performing maintenance on this tool. Always wear hearing protection when using this tool.



- High sound levels can cause permanent hearing loss. Use hearing protection as recommended by your employer or OSHA regulation.

- Keep the tool in efficient operating condition.
- Operators and maintenance personnel must be physically able to handle the bulk, weight and power of this tool.



- Air under pressure can cause severe injury. Never direct air at yourself or others. Always turn off the air supply, drain hose of air pressure and detach tool from air supply before installing, removing or adjusting any accessory on

this tool, or before performing any maintenance on this tool. Failure to do so could result in injury. Whip hoses can cause serious injury. Always check for damaged, frayed or loose hoses and fittings, and

replace immediately. Do not use quick detach couplings at tool. See instructions for correct set-up.



- Air powered tools can vibrate in use.

Vibration, repetitive motions or uncomfortable positions over extended periods of time may be harmful to your hands and arms. Discontinue use of tool if discomfort, tingling feeling or pain occurs. Seek medical advice before resuming use.

- Do not point or indulge in any horseplay with this tool.



- Slipping, tripping and/or falling while operating air tools can be a major cause of serious injury or death. Be aware of excess hose left on the walking or work surface.

- Keep body working stance balanced and firm. Do not overreach when operating the tool.
- Anticipate and be alert for sudden changes in motion during start up and operation of any power tool.
- Do not carry tool by the hose. Protect the hose from sharp objects and heat.
- Tool shaft may continue to rotate briefly after throttle is released. Avoid direct contact with accessories during and after use. Gloves will reduce the risk of cuts or burns.

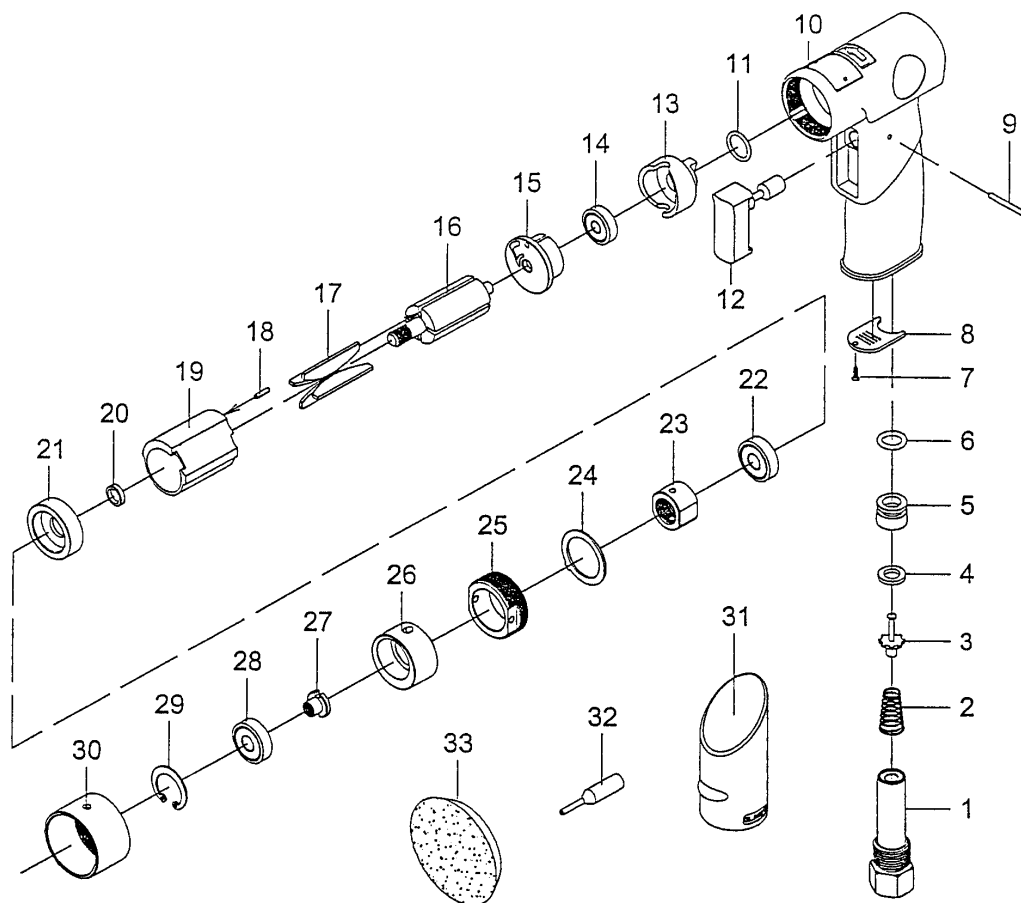


- Keep away from rotating end of tool. Do not wear jewelry or loose clothing. Scalping can occur if hair is not kept away from tool and accessories. Choking can occur if neckwear is not kept away from tool and accessories.

- Never mount a grinding wheel on a sander. A grinding wheel that bursts can cause very serious injury or death when not properly guarded. Inspect backing pad before each use. Do not use if cracked or damaged.
- Avoid direct contact with moving sanding pad to prevent pinching or cutting of hands or other body parts.
- Do not lubricate tools with flammable or volatile liquids such as kerosene, diesel or jet fuel.
- Don't force tool beyond its rated capacity.
- Do not remove any labels. Replace damaged labels.
- Use accessories recommended by Matco Tools.

RL430

Mini DA Sander

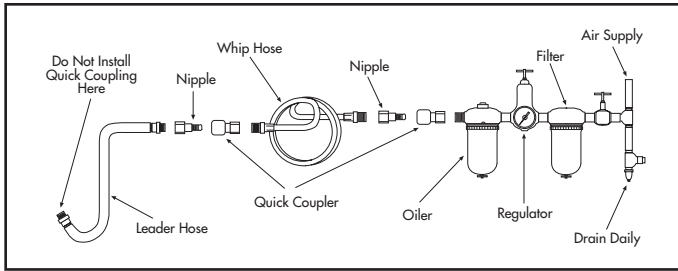


Index #	Part #	Description	Qty.
1	43001	Air Inlet	1
2	43002	Spring	1
3	43003	Valve Stem	1
4	43004	Rubber Spacer	1
5	43005	Valve	1
6	43006	O-Ring	1
7	43007	Screw	1
8	43008	Diffuser	1
9	43009	Pin	1
10	43010	Motor Housing	1
11	43011	O-Ring	1
12	43012	Trigger	1
13	43013	Air Regulator	1
14	21114	Ball Bearing	1
15	43015	Rear Plate	1
16	43016	Rotor	1
17	78816	Rotor Blade	4
18	43018	Spring Pin	1
19	43019	Cylinder	1
20	43020	Rotor Bushing	1
21	43021	Front Plate	1

Index #	Part #	Description	Qty.
22	30524	Ball Bearing	1
23	43023	Connector	1
24	43024	Spacer	1
25	43025	Motor Lock Nut	1
26	43026	Counter Balance	1
27	43027	Nut	1
28	43028	Ball Bearing	1
29	43029	Stop Ring	1
30	43030	Guard	1
31	43031	Rubber Grip	1
32	43032	Key	1
33	RL4302	2" Sanding Disc	1
	RL4303	3" Sanding Disc	1

Replacement Discs Available:

RL430-3-320	3" Sanding Disc	320 grit
RL430-3-400	3" Sanding Disc	400 grit
RL430-3-600	3" Sanding Disc	600 grit
RL430-2-320	2" Sanding Disc	320 grit
RL430-2-400	2" Sanding Disc	400 grit
RL430-2-600	2" Sanding Disc	600 grit



Operation...

Start the sander off the work, set it down on the work evenly and move it slowly back and forth in wide, overlapping areas. Additional pressure may be used to make more efficient use of the tool when material to be cut is thick. Lighter pressure may be used in delicate sanding or when using edges of sanding pad. When finished sanding, lift it off the work before stopping the motor.

Air Supply...

Tools of this class operate on a wide range of air pressures. It is recommended that air pressure of these tools measures 90 PSI at the tool while running free. Higher pressure (over 90 psig; 6.2 bar) raises performance beyond the rated capacity of the tool which will shorten the tool's life because of faster wear and could cause injury.

Always use clean, dry air. Dust, corrosive fumes and/or water in the air line will cause damage to the tool. Drain the air tank daily. Clean the air inlet filter screen on at least a weekly schedule. The recommended hookup procedure can be viewed in the above figure.

The air inlet used for connecting air supply, has standard 1/4" NPT. Line pressure should be increased to compensate for unusually long air hoses (over 25 feet). Minimum hose diameter should be 3/8" I.D. and fittings should have the same inside dimensions and be tightly secured.

Lubrication...

Lubricate the air motor daily with quality air tool oil. If no air line oiler is used, run a teaspoon of oil through the tool. The oil can be squirted into the tool air inlet or into the hose at the nearest connection to the air supply, then run the tool. The amount of oil to be used is 1 ounce. Overfilling will cause a reduction in the power of the tool.

MATCO TOOLS™ 1 YEAR LIMITED WARRANTY FOR AIR TOOLS

Matco warrants its air tools for a period of 1 year to the consumer. We will repair any air tool covered under this warranty which proves to be defective in material or workmanship during the warranty period. In order to have your tool repaired, return the tool to any Matco Authorized Warranty Center, freight prepaid. Please include a copy of your proof of purchase and a brief description of the problem. The tool will be inspected and if any part or parts are found to be defective in material or workmanship, they will be repaired free of charge and the repaired tool will be returned to you freight prepaid.

This warranty gives you specific rights. You may also have other rights which vary from state to state.

The foregoing obligation is Matco's sole liability under this or any implied warranty and under no circumstances shall Matco be liable for any incidental or consequential damages.

Note: Some states do not allow the exclusion or limitation of incidental or consequential damages so the above limitation or exclusion may not apply to you.