



- **Operating Instructions**
- **Warning Information**
- **Parts Breakdown**



! WARNING

Some dust created by power sanding, sawing, grinding, drilling, and other construction activities contains chemicals known to cause cancer, birth defects or other reproductive harm. Some examples of these chemicals are:

- lead from lead-based paints,
- crystalline silica from bricks and cement and other masonry products, and
- arsenic and chromium from chemically-treated lumber.

Your risk from these exposures varies, depending on how often you do this type of work. To reduce your exposure to these chemicals: work in a well ventilated area, and work with approved safety equipment, such as those dust masks that are specially designed to filter out microscopic particles.



! WARNING



ALWAYS READ INSTRUCTIONS BEFORE USING POWER TOOLS



ALWAYS WEAR SAFETY GOGGLES



WEAR HEARING PROTECTION



AVOID PROLONGED EXPOSURE TO VIBRATION

SPECIFICATIONS

Free Speed	10,000 rpm
Min. Hose Size3/8"
Air Inlet	1/4" NPT
Rec. Air Pressure	90 psi
Avg. Air Consumption	4 cfm
Pad Size	6"
Height	4-1/2"
Length	9-1/2"
Net Weight	4-3/5 lbs.

RL400

6" Dual Action Sander



! WARNING

FAILURE TO OBSERVE THESE WARNINGS COULD RESULT IN INJURY.



THIS INSTRUCTION MANUAL CONTAINS IMPORTANT SAFETY INFORMATION.

READ THIS INSTRUCTION MANUAL CAREFULLY AND UNDERSTAND ALL INFORMATION BEFORE OPERATING THIS TOOL.

- Always operate, inspect and maintain this tool in accordance with American National Standards Institute Safety Code of Portable Air Tools (ANSI B186.1) and any other applicable safety codes and regulations.

- For safety, top performance and maximum durability of parts, operate this tool at 90 psig/6.2 bar max air pressure with 3/8" diameter air supply hose.



- Always wear impact-resistant eye and face protection when operating or performing maintenance on this tool. Always wear hearing protection when using this tool.



- High sound levels can cause permanent hearing loss. Use hearing protection as recommended by your employer or OSHA regulation.

- Keep the tool in efficient operating condition.

- Operators and maintenance personnel must be physically able to handle the bulk, weight and power of this tool.

- Air under pressure can cause severe injury. Never direct air at yourself or others. Always turn off the air supply, drain hose of air pressure and detach tool from air supply before installing, removing or adjusting any accessory on this tool, or before performing any maintenance on this tool. Failure to do so could result in injury. Whip hoses can cause serious injury. Always check for damaged, frayed or loose hoses and fittings, and replace immediately. Do not use quick detach couplings at tool. See instructions for correct set-up.



- Air powered tools can vibrate in use. Vibration, repetitive motions or uncomfortable positions over extended periods of time may be harmful to your hands and arms. Discontinue use of tool if discomfort, tingling feeling or pain occurs. Seek medical advice before resuming use.



- Place the tool on the work before starting the tool.



- Slipping, tripping and/or falling while operating air tools can be a major cause of serious injury or death. Be aware of excess hose left on the walking or work surface.

- Keep body working stance balanced and firm. Do not overreach when operating the tool.

- Anticipate and be alert for sudden changes in motion during start up and operation of any power tool.

- Do not carry tool by the hose. Protect the hose from sharp objects and heat.

- Tool shaft may continue to rotate briefly after throttle is released. Avoid direct contact with accessories during and after use. Gloves will reduce the risk of cuts or burns.



- Keep away from rotating end of tool. Do not wear jewelry or loose clothing. Secure long hair. Scalping can occur if hair is not kept away from tool and accessories. Choking can occur if neckwear is not kept away from tool and accessories.

- Never mount a grinding wheel on a sander. A grinding wheel that bursts can cause very serious injury or death when not properly guarded. Inspect backing pad before each use. Do not use if cracked or damaged.

- Avoid direct contact with moving sanding pad to prevent pinching or cutting of hands or other body parts.

- Do not lubricate tools with flammable or volatile liquids such as kerosene, diesel or jet fuel.

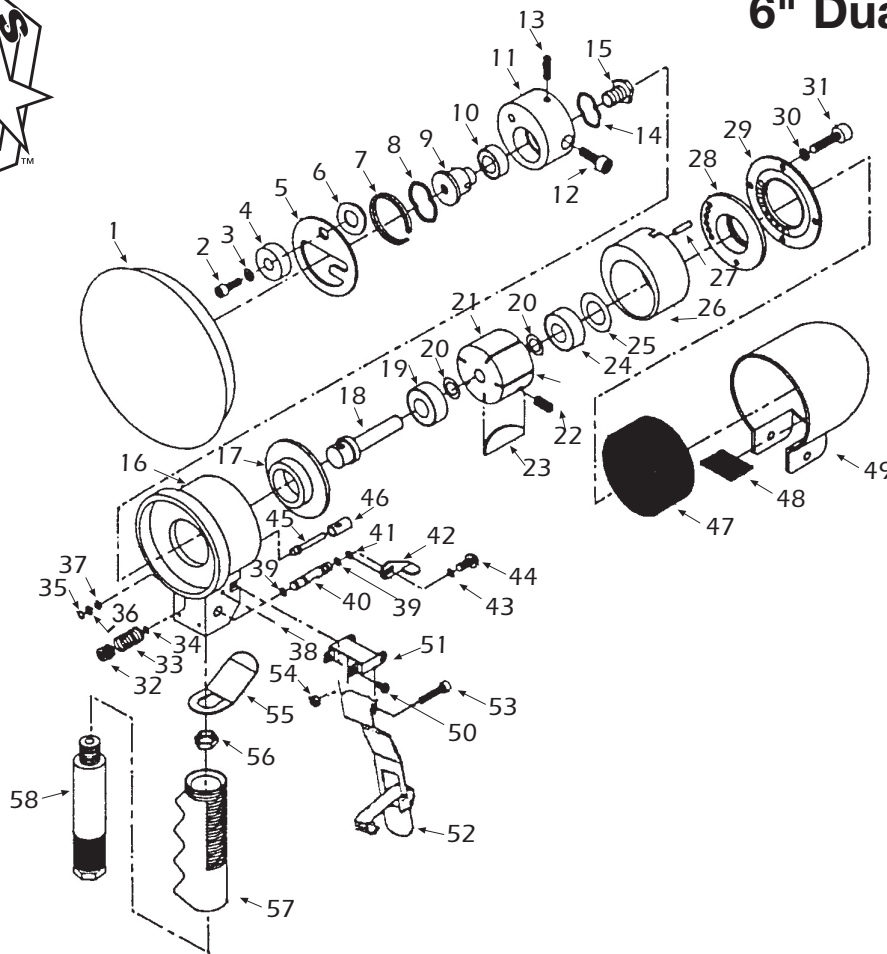
- Do not force tool beyond its rated capacity.

- Do not remove any labels. Replace any damaged labels.





RL400 6" Dual Action Sander



Ref. #	Item #	DESCRIPTION	QTY.	Ref. #	Item #	DESCRIPTION	QTY.
1	RS87513	6" DA bonded Pad (Std.)	1	30	RS91530	Spring Washer	4
2	RS91502	Cap Screw	1	31	RS91531	Diffuser Plate Mounting Screw	4
3	RS91503	Washer	1	32	RS91532	Throttle Valve	1
4	RS203N04	Counterweight	1	33	RS91533	Throttle Spring	1
5	RS203N06	Drive Cover	1	34	RS91534	O-Ring	1
6	RS91506	Spring Washer	1	35	RS91535	Retaining Ring	1
7	RS91507	Retaining Ring	1	36	RS91536	Flat Washer	1
8	RS91508	Spring Washer	1	37	RS91537	Rubber Washer	1
9	RS203N09	Pad Nut	1	38	RS91538	Screw	2
10	RS6201-NSK	Ball Bearing	1	39	RS91539	O-Ring	2
11	RS203N11	Orbital Hub	1	40	RS91540	Regulator Valve	1
12	RS91512	Socket Head Cap Screw	1	41	RS91541	O-Ring	1
13	RS91513	Set Screw	1	42	RS91542	Regulator Knob	1
14	RS91514	Spring Washer	1	43	RS91543	Lockwasher	1
15	RS91515	Spindle Screw	1	44	RS91544	Screw	1
16	RS91516	Motor Housing	1	45	RS203N37	Throttle Valve Stem	1
17	RS203N18	Front End Plate	1	46	RS91546	Throttle Valve Bushing	1
18	RS91518	Rotor Shaft	1	47	RS203N32	Muffler	1
19	RS6200-NSK	Ball Bearing	1	48	RS203N34	Sponge	1
20	RS203N21	Rotor Shim	4	49	RS101049-1ADO	Cover	1
21	RS91521	Rotor	1	50	RS91550	Screw	2
22	RS91522	Set Screw	1	51	RS91551	Throttle Lever Bracket	1
23	RS203N23	Rotor Blade	5	52	RS1010-2M	Throttle	1
24	RS6200-NSK	Ball Bearing	1	53	RS91553	Screw	1
25	RS91525	Bearing Seal	1	54	RS91554	Nut	1
26	RS203N26	Cylinder	1	55	RS91555	Lever Return Spring	1
27	RS91527	Liner Dowel	1	56	RS91556	Locking Nut	1
28	RS203N28	Rear End Plate	1	57	RS91557	Handle Grip	1
29	RS203N29	Exhaust Diffuser Plate	1	58	RS91558	Handle	1



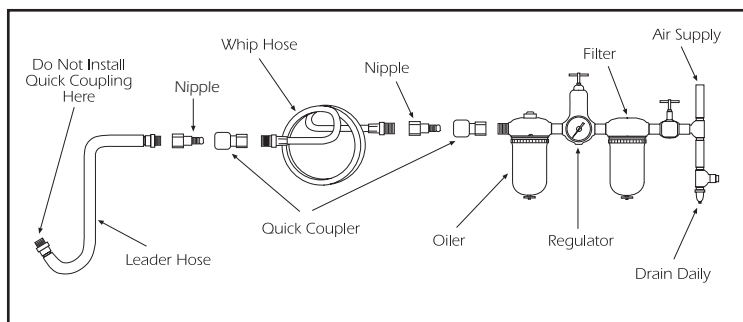


Figure 2

AIR SUPPLY

Tools of this class operate on a wide range of air pressures. It is recommended that air pressure of these tools measure 90 PSI at the tool while running free. Higher pressure and unclean air will shorten tool life because of faster wear and may create a hazardous condition.

Water in the air line will cause damage to the tool. Drain the air tank daily. Clean the air inlet filter screen on at least a weekly schedule. The recommended hook-up procedure can be viewed in Figure 2.

The air inlet (A) Figure 1, used for connecting air supply, has standard 1/4" NPT American Thread.

Line pressure should be increased to compensate for unusually long air hoses (over 25 feet). Minimum hose diameter should be 3/8" I.D. and fittings should have the same inside dimensions

OPERATION

The air regulator knob can be used as an air throttle and can be used for setting positive speed control. Lift the air regulator lever up for maximum speed.

Let the sander do the work. The normal weight of the machine is sufficient for efficient sanding. Do not put additional pressure on the machine. This will only slow down the speed of the pad, reduce sanding efficiency and put an additional burden on the motor. Start the sander off the work, set it down on the work evenly and move it slowly back and forth in wide, overlapping areas. When finished sanding, lift it off the work before stopping the motor.

LUBRICATION & MAINTENANCE

Lubricate the tool daily with a good grade of air tool oil. If no air line oiler is used, run a teaspoon of oil through the tool. The oil can be squirted into the tool air inlet (A) Figure 1, or into the hose at the nearest connection to the air supply, then run the tool. A rust inhibitive oil is acceptable for air tools.

TROUBLESHOOTING

Other factors outside the tool may cause loss of power or erratic action. Reduced compressor output, excessive drain on the air line, moisture or restrictions in air pipes or the use of hose connections of improper size or poor conditions may reduce air supply. If outside conditions are in order, and the tool still performs erratically, disconnect tool from hose and take tool to your nearest Matco authorized service center.

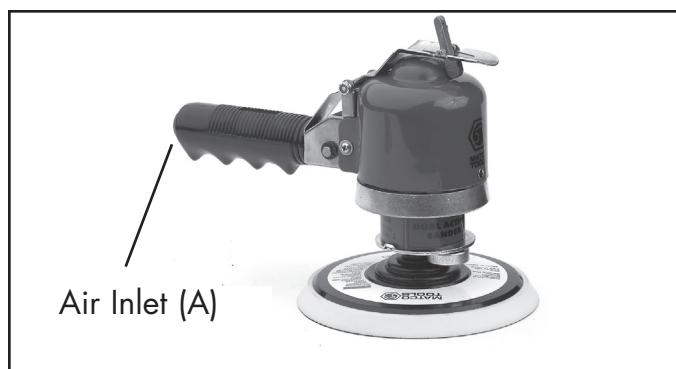


Figure 1

WARRANTY

Matco warrants its air tools for a period of 1 year to the consumer. We will repair any air tool covered under this warranty which proves to be defective in material or workmanship during the warranty period. In order to have your tool repaired, return the tool to any Matco Authorized Warranty Center, freight prepaid. Please include a copy of your proof of purchase and a brief description of the problem. The tool will be inspected and if any part or parts are found to be defective in material or workmanship, they will be repaired free of charge and the repaired tool will be returned to you freight prepaid.

This warranty gives you specific rights. You may also have other rights which vary from state to state.

The foregoing obligation is Matco's sole liability under this or any implied warranty and under no circumstances shall Matco be liable for any incidental or consequential damages.

Note: Some states do not allow the exclusion or limitation of incidental or consequential damages so the above limitation or exclusion may not apply to you.