



MUC12DD

ATORNILLADORA TALADRADORA DE ION DE LITIO 12V

12V LITHIUM-ION DRILL DRIVER



Operating Instructions • Warning Information • Parts Breakdown

SPECIFICATIONS

MUC12DD

Battery Type	12V Lithium Ion	Free Speed Drill Mode
Length	7.75"	Low
Weight with battery	2.2 lbs.	High
Maximum Torque	204 in. lbs.	Compatible Battery
Number of Clutch Settings	12	Compatible Charger

!WARNING



ALWAYS READ INSTRUCTIONS BEFORE USING POWER TOOLS



ALWAYS WEAR SAFETY GOGGLES



WEAR HEARING PROTECTION



AVOID PROLONGED EXPOSURE TO VIBRATION

!WARNING

Some dust created by power sanding, sawing, grinding, drilling, and other construction activities contains chemicals known to cause cancer, birth defects or other reproductive harm. Some examples of these chemicals are:

- lead from lead-based paints,
- crystalline silica from bricks and cement and other masonry products, and
- arsenic and chromium from chemically-treated lumber.

Your risk from these exposures varies, depending on how often you do this type of work. To reduce your exposure to these chemicals: work in a well ventilated area, and work with approved safety equipment, such as those dust masks that are specially designed to filter out microscopic particles.

Copyright © Professional Tool Products, 2011
All rights reserved.

WARNING

FAILURE TO OBSERVE THESE WARNINGS COULD RESULT IN INJURY.

SAVE THESE INSTRUCTIONS!

GENERAL SAFETY INFORMATION (FOR ALL BATTERY OPERATED TOOLS)

WARNING:

Read and understand all instructions. Failure to follow all instructions listed below, may result in electric shock, fire and/or serious personal injury.

Work Area Safety

1. Keep your work area clean and well lit. Cluttered benches and dark areas invite accidents.
2. Do not operate power tools in explosive atmospheres, such as in the presence of flammable liquids, gases, or dust. Power tools create sparks which may ignite the dust or fumes.
3. Keep bystanders, children, and visitors away while operating a power tool. Distractions can cause you to lose control and endanger others.

Electrical Safety

4. A battery operated tool with integral batteries or a separate battery pack must be recharged only with the specified charger for the battery. A charger that may be suitable for one type of battery may create a risk of fire when used with another battery.
5. Use battery operated tool only with specifically designated battery pack. Use of any other batteries may create a risk of fire.

Personal Safety

6. Stay alert, watch what you are doing, and use common sense when operating a power tool. Do not use tool while tired or under the influence of drugs, alcohol, or medication. A moment of inattention while operating power tools may result in serious personal injury.
7. Dress properly. Do not wear loose clothing or jewelry. Contain long hair. Keep your hair, clothing, and gloves away from moving parts. Loose clothes, jewelry, or long hair can be caught in moving parts.
8. Avoid accidental starting. Be sure switch is in the locked or off position before inserting battery pack. Carrying tools with your finger on the switch or inserting the battery pack into a tool with the switch on invites accidents.
9. Remove adjusting keys or wrenches before turning the tool on. A wrench or a key that is left attached to a rotating part of the tool may result in personal injury.
10. Do not overreach. Keep proper footing and balance at all times. Proper footing and balance enable better control of the tool in unexpected situations.
11. Use safety equipment. Always wear eye protection. Dust mask, non-skid safety shoes, hard hat, or hearing protection must be used for appropriate conditions.

Tool Use and Care

12. Use clamps or another practical way to secure and support the workpiece to a stable platform. Holding the work by hand or against your body is unstable and may lead to loss of control.
13. Do not force tool. Use the correct tool for your application.
14. Do not use tool if switch does not turn it on or off. A tool that cannot be controlled with the switch is dangerous and must be repaired.
15. Disconnect battery pack from tool or place the switch in the locked or off position before making any adjustments, changing accessories, or storing the tool. Such preventive safety measures reduce the risk of starting the tool accidentally.
16. Store idle tools out of reach of children and other untrained persons. Tools are dangerous in the hands of untrained users.
17. When battery pack is not in use, keep it away from other metal objects like: paper clips, coins, keys, nails, screws, or other small metal objects that can make a connection from one terminal to another. Shorting the battery terminals together may cause sparks, burns, or a fire.
18. Maintain tools with care. Keep cutting tools sharp and clean. Properly maintained tools with sharp cutting edge are less likely to bind and are easier to control.
19. Check for misalignment or binding of moving parts, breakage of parts, and any other condition that may affect the tool's operation. If damaged, have the tool serviced before using. Many accidents are caused by poorly maintained tools.
20. Use only accessories that are recommended by the manufacturer for your model. Accessories that may be suitable for one tool may create a risk of injury when used on another tool.

Service

21. Tool service must be performed only by the MATCO authorized service centers listed. Service or maintenance performed by unqualified personnel may result in a risk of injury. Repair by unqualified personnel, use of unauthorized parts, and failure to follow maintenance instructions may create a risk of shock or injury.

SAVE THESE INSTRUCTIONS!

SPECIFIC SAFETY RULES

DO NOT let comfort or familiarity with product replace strict adherence to cordless product safety rules. If you use this tool unsafely or incorrectly, you can suffer serious personal injury.

1. Hold tool by insulated gripping surfaces when performing an operation where the cutting tool or adapter may contact hidden wiring. Contact with a "live" wire will also make exposed metal parts of the tool "live" and shock the operator.

MUC12DD 12V Drill Driver

2. Be aware that this tool is always in operating condition, because it does not have to be plugged into an electrical outlet.
3. Always be sure you have firm footing.
4. Be sure no one is below when using the tool in high locations.
5. Hold the tool firmly and use both hands.
6. Keep hands and hair away from rotating parts.
7. Do not leave the tool running. Do not force tool to stay in the "on" position. Operate the tool only when hand-held.
8. Do not touch the drill bit, impact socket, any adapter, or the workpiece immediately after operation; they may be extremely hot and could burn your skin.
9. Some material contains chemicals which may be toxic. Take caution to prevent working dust inhalation and skin contact. Follow material supplier safety data.

WARNING:

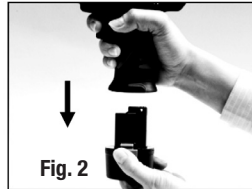
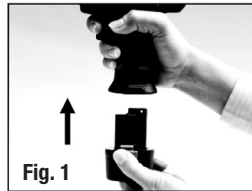
MISUSE or failure to follow the safety rules stated in this instruction manual may cause serious personal injury.

OPERATING INSTRUCTION

Installing Or Removing Battery Pack

(See Fig.1, Fig.2)

1. Your new battery pack is not fully charged. You may need to charge it before use.
2. Make sure the switch is in the off position before insertion/removal of a battery pack.
3. To remove a battery pack, depress both tabs on either side of the battery and pull downward.
4. To insert a battery pack, align the battery with the tool housing and push battery inward until click indicating battery is fully installed.



Charging The Battery Pack

(See Fig.3)

1. Battery may not charge when it is above a certain preset temperature limit. Allow temperature of battery to cool before charging.
2. The charge process will take less than one hour.
3. After charging, unplug the charger from the power source and stow away in a safe place.

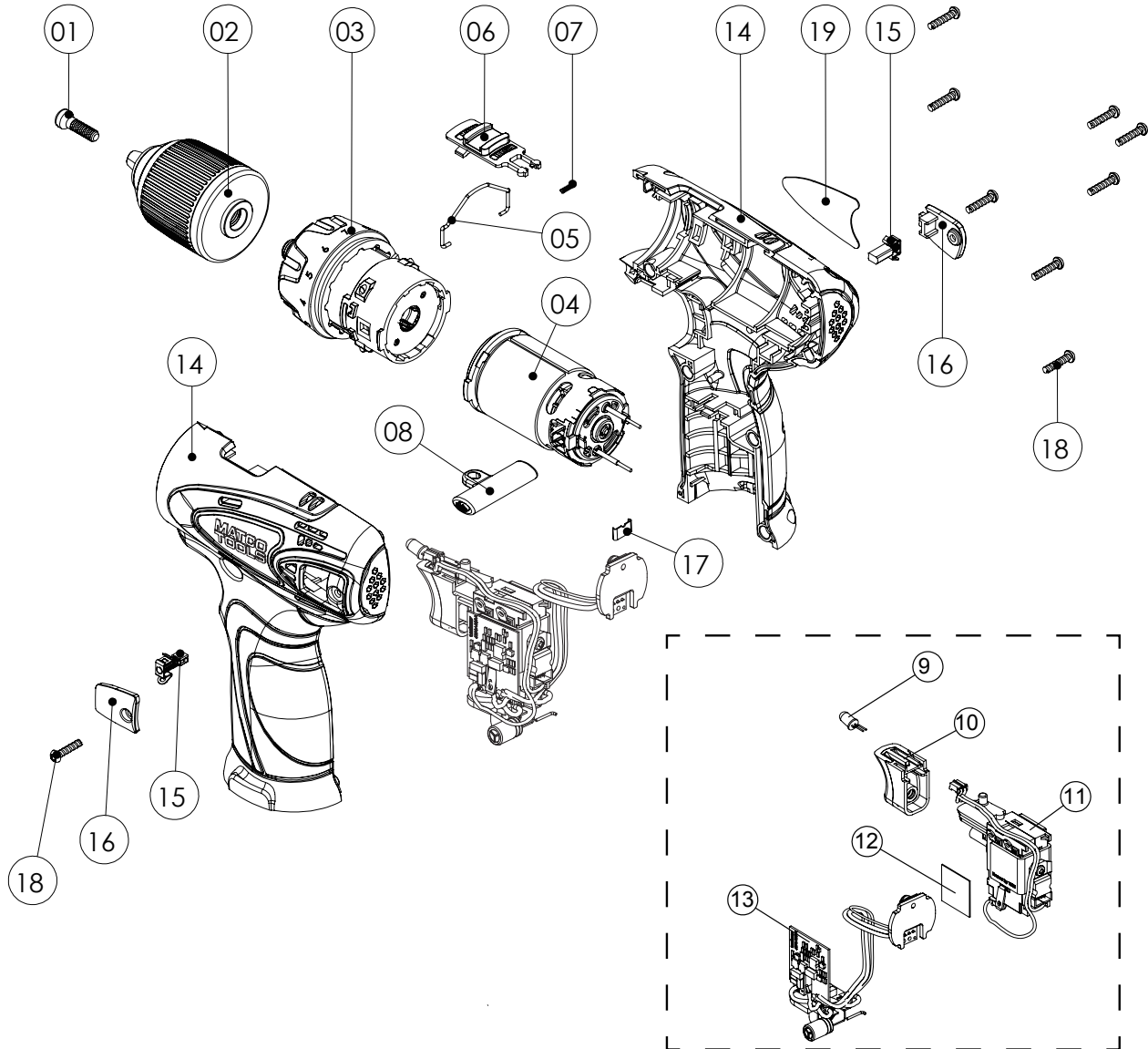
Tool Operation

1. Turn the hand chuck collar counterclockwise to loosen while holding the chuck handle still. Insert the bit and center into the chuck. Turn the chuck collar clockwise to tighten and make sure that the bit is firmly held within the chuck.
2. Run the tool to ensure tightness before placing the tool and bit onto work.
3. Forward and reverse switch is actuated by a sliding mechanism located above the handle.
4. Select the appropriate torque setting on the dial clutch.

Replace Carbon Brush

1. During the lifetime of a motor, 2-3 sets of carbon brushes may need to be replaced.
2. Please ensure that the battery is removed before the following takes place.
3. Use T8 size bit to loosen the side panel screws and remove the panel.
4. Take out the carbon brushes on both sides and replace with new units from an Authorized Matco Distributor.
5. Insert new carbon brushes and install cover with the same screws. Tighten and check operation with charged battery inserted into the tool.

MUC12DD 12V Drill Driver



Index #	Part #	Description	Qty.	Index #	Part #	Description	Qty.
1	RS12DD01	Chuck Screw	1	11	RS12DD11	Switch	1
2	RS12DD02	3/8" Keyless Chuck	1	12	RS12DD12	Thermal Conductive Pad	1
3	RS12DD03	Gear Box Assembly	1	13	RS12DD13	PCB Assembly	1
4	RS12DD04	Motor Assembly	1	14	RS12DD14	Housing- L & R	1
5	RS12DD05	Speed Change Spring	1	15	RS108IW10	Carbon Brush	2
6	RS12DD06	High/Low Speed Knob w/ #7 Spring	1	16	RS108IW14	Carbon Brush Panel	2
7		Knob Spring (Included w/ #6)	1	17	RS108DD12	Housing Clip	1
8	RS12DD08	Forward/Reverse Rod	1	18	RS144IW020	Screw M3.0	9
9	RS12DD09	LED	1	19	RS12DD19	Housing Label-R	1
10	RS12DD10	Knob	1				

⚠️ WARNING

FAILURE TO OBSERVE THESE WARNINGS COULD RESULT IN INJURY.

SAVE THESE INSTRUCTIONS!

SAFETY INSTRUCTIONS FOR BATTERY CHARGER AND BATTERY PACK

DANGER! READ CAREFULLY

120 Volts present at charging terminal. Absolutely DO NOT probe with conductive objects.

1. CAREFULLY READ AND UNDERSTAND THESE INSTRUCTIONS

This manual contains critical safety and operating instructions for the tool, battery charger, and batteries.

2. Before using battery charger, read all instructions and cautionary markings on (1) battery charger, (2) battery, and (3) product using battery.
3. **CAUTION** - To reduce risk of injury, charge only MATCO rechargeable batteries marked on the charger label. Other types of batteries may burst causing personal injury and damage.
4. Do not expose charger to rain or snow.
5. Use of an attachment not recommended or sold by the battery charger manufacturer may result in a risk of fire, electric shock, or injury to persons.
6. To reduce risk of damage to electric plug and cord, pull by plug rather than cord when disconnecting charger.
7. Make sure cord is located so that it will not be stepped on, tripped over, or otherwise subjected to damage or stress.
8. An extension cord should not be used unless absolutely necessary. Use of improper extension cord could result in a risk of fire and electric shock. If extension cord must be used, make sure:
 - a. That pins on plug of extension cord are the same number size, and shape as those of plug on charger;
 - b. That extension cord is properly wired and in good electrical condition;
 - c. That wire size is at least as large as the one specified in the table below.
9. Do not operate charger with damaged cord or plug - replace them immediately.
10. Do not operate charger if it has received a sharp blow, been dropped, or otherwise damaged in any way; take it to a MATCO AUTHORIZED service facility.
11. Do not disassemble charger or battery cartridge; take it to your MATCO AUTHORIZED distributor service facility. Incorrect reassembly may result in a risk of electric shock or fire.
12. To reduce risk of electric shock, unplug charger from outlet before attempting any maintenance or cleaning. Turning off controls will not reduce this risk.

13. The battery charger is not intended for use by young children or infirm persons without supervision.
14. Young children should be supervised to ensure that they do not play with the battery charger.

OPERATIONAL GUIDELINES FOR BATTERY CHARGER AND BATTERY PACK

1. Do not attempt to use a step-up transformer, an engine generator or DC power receptacle.
2. Do not allow anything to cover or clog the charger vents.
3. Always cover the battery terminals with the box or cover when the battery cartridge is not used.
4. Do not short the battery cartridge:
 - (1) Do not touch the terminals with any conductive material.
 - (2) Avoid storing battery cartridge in a container with other metal objects such as nails, screws, coins, etc.
 - (3) Do not expose battery cartridge to water or rain. A battery short can cause a large current flow, overheating, possible burns and even a breakdown.
5. Do not store the tool and Battery Cartridge in locations where the temperature may reach or exceed 50°C (122°F).

Table 1: RECOMMENDED MINIMUM AWG SIZE FOR EXTENSION CORDS FOR BATTERY CHARGERS

Length of Cord (Feet)	25	50	75	100	150
AWG Size of Cord	18	18	16	14	12

6. Do not incinerate the Battery Pack even if it is severely damaged or is completely worn out. The battery cartridge can explode in a fire.
7. Be careful not to drop, shake or strike battery as it will affect the capacity and may void warranty.
8. Do not charge inside a box or container of any kind. The charger and battery are ventilated devices and must NOT be placed next to a heat source or in exposure to radiating heat.
9. Place charger on a solid and sturdy surface as there are vents on the bottom side of the charger.
10. Always unplug the charger from the power supply when a charging sequence is not taking place.

MATCO CORDLESS BATTERY USE AND CARE GUIDE

IMPORTANT!

All rechargeable batteries have a finite lifespan and will slowly lose storage capacity as they age and are cycled. Rechargeable batteries are consumable items and should be carefully treated to ensure proper operation during its limited lifespan. Please read the following guide carefully for tips that may maximize the performance of your Matco rechargeable batteries. Batteries should be handled with care and disposed through proper authorities.

WARNING! MUST READ!

Do not crush or incinerate batteries as it may cause danger from explosion.

Do not place batteries in confined spaces where it may be in contact with conductive objects. For example, do not place battery in pockets, tool boxes, tool bags, etc. with screws, keys, metal shavings, etc. as the battery may short circuit and/or cause fire hazard.

Only charge in Matco chargers and never attempt to wire to alternative charging sources

Danger of explosion, electric shock, fire, and electrocution may result from:

- Abuse, misuse, and severe shock
- Subjecting the unit to conductive particles, objects, and liquids
- Connecting two chargers together
- Charging Matco batteries with other chargers
- Using the Matco charger to charge other batteries
- Operating the charger with a damaged cord or plug

PROPER CARE WILL MAXIMIZE PRODUCT LIFE

Please note that there are differences in the care of Lithium-Ion and Nickel-Cadmium batteries.

PROPER CARE FOR MATCO INFINIUM LITHIUM-ION (LI-ION) BATTERIES

- All Li-ion batteries are sensitive to high temperature and should be kept cool, dry, and out of direct light exposure. Ideal temperature range for operation and storage is between 32 and 75 °F. Li-ion batteries may be stored in the refrigerator, but freezers are not recommended.
- Do not leave batteries unused for extended periods of time, especially when it is fully charged or fully discharged. Bring a Li-ion battery to approximately 50% charge level before storing.
- Li-ion batteries are sensitive to shock. Avoid dropping, hitting, or exposure to vibration.
- Li-ion can be charged frequently and recharged before it is fully depleted. Li-ion, in fact, is ideally recharged before it is completely depleted. Recharging when there is 25%-50% capacity remaining in the battery may prolong its lifespan.

- Contaminants can adversely affect the performance and life of Li-ion batteries. Minimize the battery's exposure to dust, dirt, and small particles.
- Recharge Matco Li-ion batteries only in Matco recharging devices that are designed specifically for the battery type. Never subject batteries to any other quick-charging, quick-discharging, or quick-restoring devices.

PROPER CARE FOR MATCO NICKEL-CADMIUM (NI-CD) BATTERIES

- Ni-Cd batteries are sensitive to high temperatures and should be kept cool, dry, and out of direct light exposure. Ideal operating and storage temperature is between 32 and 70 °F. Ni-Cd batteries may be stored in a refrigerator, but freezers are not recommended.
- Do not leave batteries unused for extended periods of time. Store Ni-Cd batteries fully discharged in a cool and dry place.
- Ni-Cd batteries are sensitive to shock. Avoid dropping, hitting, or exposure to vibration.
- Ni-Cd batteries should be fully discharged inside the tool before recharging. Furthermore, the battery should be fully charged before it is removed from the charger. Frequent charges and removals at intermittent levels may reduce the capacity of the battery.
- Perform the "Refresh Cycle" for Ni-Cd batteries inside the Matco MUCHRG1 Universal Charger on a monthly basis. For light usage, perform this function once every three months. Note that this feature is not applicable or necessary for Li-ion batteries.
- Contaminants can adversely affect the performance and life of Ni-Cd batteries. Minimize the battery's exposure to dust, dirt, and small particles.
- Recharge Matco Ni-Cd batteries only in Matco recharging devices that are designed specifically for the battery type. Never subject batteries to other quick-charging, quick-discharging, or quick-restoring devices.

MATCO CORDLESS WARRANTY

MATCO 12V

Matco Tools warrants its 12V tools to be free from defects in material and workmanship for a period of (2) years from the original date of purchase with one year of free service. In the second year, if inspection shows the trouble is caused by a defect in material and/or workmanship, Matco will repair (or replace at our option) without charge. Registration is required through your local authorized Matco distributor and/or by submission of completed registration form included with the product. Defective products must be returned and analyzed by Tri-County Power Tool, Inc. for the United States or Pneutool Parts & Services, Ltd or Diversified Power Inc for Canada, at the addresses listed below, freight prepaid. Any tool that has been serviced by the user or by an unauthorized service center will subsequently void the warranty of the tool.

Misuse, abuse or normal wear of a product is not covered under warranty.

Defects in material and workmanship do not apply where the issues below are present:

- Repairs were made or attempted by unauthorized service center or individual.
- Repairs are required because of normal wear and tear on the tool. Normal wear and tear items to include but not limited to carbon brushes, TPR (rubber grip portions) wear, switch failure, PCB (internal circuit board wear), socket retaining rings, etc. These are examples of some failures that may not be covered under defects in material and workmanship but are considered normal wear and tear.
- The tool has been misused, abused, or not given the proper maintenance. (example, Cordless ratchet heads should be greased, tool motors should not be exposed to harmful substances such as (cleaning chemicals, excessive dust and dirt, and metal shavings or debris)
- Alterations or improper accessories were used with the product.

MATCO 12V LITHIUM-ION

BATTERY MUC12LB / CHARGER MUC12LC

Matco Tools warrants its 12V Lithium-ion (battery/charger) to be free from defects in material and workmanship for a period of (2) years from the original date of purchase. Registration is required through your local authorized Matco distributor and/or by submission of completed registration form included with the product. If the battery/charger should fail within the warranty period, it must be returned and analyzed by Tri-County Power Tool, Inc., Pneutool Parts & Services, Ltd. or Diversified Power Inc at the addresses listed below, freight prepaid. A battery capacity defect could be defined as the battery no longer accepting a charge, or holding a charge for the battery manufacturing specified period as determined by Matco Tools Repair center. Based on the evaluation, Matco Tools, at their discretion, will either repair or replace any batteries to be found defective in material or workmanship at no charge. Please see Matco Battery Care Guide in the Cordless Operating Manual for any of the Infinium products. You will find helpful tips that may maximize the useful life of your battery.

Address for Returns as follows:

TRI-COUNTY POWER TOOL, INC.

4597 Pearl Rd.
Cleveland, OH 44109
(216) 398-6120
Fax: (216) 398-6121
Toll Free: 1-866-873-8278

PNEUTOOL PARTS AND SERVICE CO. LTD.

33 Haas Rd.
Toronto, ON M9W 3A1 Canada
(416) 748-2100
(888)748-1201 Toll Free In Canada

DIVERSIFIED POWER INC

90 Buttermill Avenue,
Vaughan, Ontario
L4K 3X7 Canada
Tel: 905-760-9077
Toll Free: 800-821-7975



MUC12DD

ATORNILLADORA TALADRADORA DE ION DE LITIO 12V

12V LITHIUM-ION DRILL DRIVER



Instrucciones de Operación • Información de Advertencia • Revisión de Refacciones

ESPECIFICACIONES

MUC12DD

Tipo de batería	12V Lithium Ion	Modo de taladro de velocidad libre	
Longitud	7.75"	Bajo	0-400 RPM
Weight with battery	2.2 lbs.	Alto	0-1600 RPM
Máxima torsión	204 libras-pulgadas	Batería compatible	MUC108LB, MUC12LB
Número de ajustes del embrague	12	Cargador compatible	MUC108LC, MUC12LC

ADVERTENCIA



LEER SIEMPRE LAS INSTRUCCIONES ANTES DE USAR LAS HERRAMIENTAS NUEMÁTICAS



USAR SIEMPRE ANTEOJOS PROTECTORES



USAR PROTECCIÓN PARA LOS OÍDOS



EVITAR EXPOSICIÓN PROLONGADA A LAS VIBRACIONES

ADVERTENCIA

El polvo creado por la lijación eléctrica, la aserradura, la trituración, la perforación y otras actividades de construcción contiene químicos conocidos como causantes de cáncer, defectos de nacimiento u otros daños a reproducción. Algunos ejemplos de dichos químicos son:

- El plomo proveniente de pintura con base de plomo,
- La silica cristalina de ladrillo y cemento y otros productos de mampostería, y
- El arsénico y el cromo de maderos químicamente tratados.

El riesgo de dichas exposiciones varía, dependiendo de la frecuencia con la cual usted realice este tipo de trabajo. Para reducir su exposición a dichos químicos: trabaje en una área bien ventilada y con equipo de seguridad aprobado, tales como los máscaras anti-polvo, los que son específicamente diseñados para filtrar las partículas microscópicas.

Copyright Professional Tool Products, 2011
Tous droits reserves

! ADVERTENCIA

HACER CASO OMISO A ESTAS ADVERTENCIAS PODRÍA OCASIONAR LESIONES.

¡GUARDE ESTAS INSTRUCCIONES!

INFORMACIÓN GENERAL DE SEGURIDAD GENERAL (PARA TODAS LAS HERRAMIENTAS OPERADAS CON BATERÍA)

ADVERTENCIA:

Lea y comprenda todas las instrucciones. Hacer caso omiso a las instrucciones alistadas a continuación podría ocasionar un choque eléctrico, incendio y/o lesiones personales serias.

Seguridad del área de trabajo

1. Mantenga el área de trabajo limpio y bien iluminado. Los bancos amontonados y oscuros invitan accidentes.
2. No opere las herramientas eléctricas en atmósferas explosivas, tales como con los líquidos, gases o polvos inflamables. Las herramientas eléctricas crean chispas las cuales pueden encender el polvo o los humos.
3. Al momento de operar una herramienta eléctrica, mantenga lejos a los transeúntes, niños y visitantes. Las distracciones pueden ocasionar la pérdida de control y poner en peligro a otros.

Seguridad eléctrica

4. Una herramienta operada por pila que usa pilas integrales o un paquete separado de baterías debe ser recargada solamente con el cargador especificado para la batería. Un cargador que puede ser apropiado para una batería puede crear un riesgo de incendio cuando se usa con otra batería.
5. Use una herramienta operada por pila con un paquete de batería específicamente designado para ella solamente. El uso de cualquier otra batería puede crear un riesgo de incendio.

Seguridad Personal

6. Manténgase alerta(a), vigile lo que haga y use el sentido común al momento de operar esta herramienta. No use la herramienta si usted se encuentre cansado(a) o si esté bajo la influencia de drogas, alcohol o medicamentos. Un momento de falta de atención al momento de operar una herramienta eléctrica puede ocasionar lesiones personales serias.
7. Use el atuendo adecuado. No lleve puesto ropa ni joyería floja. Contenga el pelo largo. Mantenga el pelo, ropa y guantes lejos de piezas móviles. La ropa, joyería o pelo largo pueden envolverse en las piezas móviles.
8. Evite los arranques accidentales. Asegúrese que el interruptor esté en la posición de bloqueado o apagado antes de insertar el empaque de las baterías. Se invitan los accidentes si usted lleve las herramientas sobre el interruptor o si se inserte el paquete de baterías en una herramienta mientras el interruptor esté encendido.

9. Retire las llaves de ajuste antes de encender la herramienta. Si una llave se mantenga sujeta a una pieza giratoria, se pueden ocasionar lesiones personales.
10. No se extralimite. Mantenga los pies sobre base firme y en equilibrio en todo momento. La base y equilibrio adecuados permiten un mayor control de la herramienta durante situaciones inesperadas.
11. Use equipo de seguridad. Siempre lleve puesto protección de ojos. Se deben usar máscaras antipolvo, zapatos de seguridad antideslizantes, un casco y protección del oído según las condiciones adecuadas.

Uso y cuidado de la herramienta

12. Use sujetadoras o alguna otra forma práctica de asegurar y soportar la pieza de trabajo a una plataforma estable. Es precario sostener el trabajo con la mano o contra su cuerpo y hacer lo mismo puede ocasionar la pérdida de control.
13. No fuerce la herramienta. Use la herramienta correcta según su aplicación de trabajo.
14. No use la herramienta si el interruptor no enciende ni apaga la herramienta. Una herramienta que no puede ser controlada con el interruptor es peligrosa y debe ser reparada.
15. Desconecte el paquete de batería o coloque el interruptor en la posición de bloqueada o apagada, antes de hacer cualquier ajuste, cambiar los accesorios o almacenar la herramienta. Tales medidas preventivas de seguridad disminuyen el riesgo de encender la herramienta por accidente.
16. Almacene las herramientas cuando no están en uso fuera del alcance de los niños y de otras personas no capacitadas. Las herramientas son peligrosas en manos de usuarios no capacitados.
17. Cuando el paquete de batería s no está en uso, manténgalo lejos de otros objetos de metal tales como sujetapapeles, monedas, llaves, clavos u otros objetos de metal los que pueden hacer una conexión de un borne a otro. Los cortos de los bornes de la batería, ocasionados por conectarlos, puede ocasionar chispas, quemaduras o incendio.
18. Lleve a cabo el mantenimiento de sus herramientas con cuidado. Mantenga afiladas y limpias las herramientas de corte. Las herramientas que reciban el mantenimiento adecuado con un borde de corte afilado son menos probables de atorarse y son más fáciles de controlar.
19. Revise por la desalineación o el atoramiento de las piezas móviles, la rotura de partes y cualquier otra condición que pueda afectar la operación de la herramienta. Si se dañe, antes de usarla, lleve a cabo el mantenimiento de la herramienta. Se ocasionan muchos accidentes por el mal mantenimiento de las herramientas.
20. Solo use accesorios recomendados para su modelo por el fabricante. Los accesorios que pueden ser adecuados para una herramienta pueden crear el riesgo de lesiones al momento de usarlos con otra herramienta

Mantenimiento

21. El mantenimiento de la herramienta debe llevarse a cabo solo por los centros de servicio autorizados de MATCO alistados. El mantenimiento realizado por personal no calificado puede ocasionar un riesgo de lesiones. La reparación por personal no calificado, el uso de piezas no autorizadas y hacer caso omiso a las instrucciones de mantenimiento puede crear un riesgo de choque o lesión.

¡GUARDE ESTAS INSTRUCCIONES! INSTRUCCIONES ESPECÍFICAS DE SEGURIDAD

NO permita que la comodidad o familiaridad con el producto prohíba el cumplimiento estricto de las reglas de seguridad del producto inalámbrico. Si usted opere esta herramienta de manera insegura o incorrectamente, usted puede sufrir lesiones personales serias.

1. Sostenga la herramienta por las superficies aisladas de agarre al momento de realizar una operación en donde la herramienta de corte o el adaptador pueda tener contacto con algún cableado escondido. Si se haga contacto con un cable "vivo", las piezas expuestas de metal también se convertirán en piezas "vivas" y se dará un choque al operador.
2. Tenga conciencia de que esta herramienta siempre está en

condiciones de uso, ya que no tiene que estar enchufada en una salida eléctrica para operarse.

3. Asegúrese de siempre tener una base firme donde pisar.
4. Asegúrese que no haya nadie debajo del área de trabajo al momento de operar la herramienta en lugares altos.
5. Sostenga firmemente la herramienta y use ambas manos.
6. Mantenga las manos y el pelo lejos de las piezas giratorias.
7. No deje desatendida la herramienta cuando está encendida. No fuerce que la herramienta permanezca en una posición de "encendida." Opere la herramienta sólo cuando está en la mano.
8. No toque la broca del taladro, el casquillo de impacto, ningún adaptador ni la pieza de trabajo inmediatamente después de operar la herramienta; éstos pueden estar extremadamente calientes y podrían quemar la piel.
9. Algunos materiales contienen químicos los cuales pueden ser tóxicos. Tome precauciones para prevenir la inhalación del polvo del trabajo y su contacto con la piel. Siga los datos de seguridad del fabricante del material.

ADVERTENCIA:

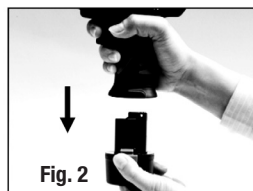
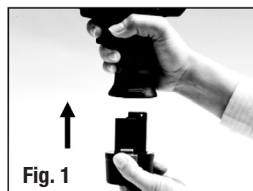
EL USO INDEBIDO o hacer caso omiso a las reglas de seguridad declaradas en este manual instructivo puede ocasionar lesiones personales serias.

INSTRUCCIONES DE OPERACIÓN

La instalación o extracción del paquete de batería

(Ver Fig.1, Fig.2)

1. Su nuevo paquete de batería no está cargado completamente. Quizás sea necesario cargarlo antes del uso.
2. Asegúrese que el interruptor esté en la posición de apagado antes del insertar/retirar el paquete de batería.
3. Para extraer el paquete de batería, presione ambas lengüetas de cada lado de la batería y jale hacia abajo.
4. Para insertar el paquete de batería, alinee la batería con la caja de la herramienta y empuje la batería hacia adentro hasta que se haga un "clic," indicando que la batería esté completamente instalada.



Cargando el paquete de batería

(Ver Fig.3)

1. La batería puede no cargarse cuando ésta está a una temperatura mayor al límite de temperatura pre-establecida. Deje que se enfríe la batería antes de cargarla.
2. El proceso de recarga tardará menos de una hora.

3. Después de cargarla, desenchufe el cargador de la fuente de potencia y almacénelo en un lugar seguro.

La operación de la herramienta

1. Al sostener fijo el mango del mandril, gire el collar del mandril manual en el contrasentido de las agujas del reloj para aflojarlo. Inserte la broca y céntrala en el mandril. Gire el collar del mandril en el sentido de las agujas del reloj para apretarlo y asegúrese que la broca esté sostenido firmemente dentro del mandril.
2. Opere la herramienta para asegurar que éste adecuadamente apretada antes de colocar la herramienta y la broca sobre la pieza de trabajo.
3. El interruptor de adelante-reversa puede ser activado, al deslizar el mecanismo ubicado arriba del mango.
4. Seleccione el ajuste de torsión adecuado en el indicador.

Reponga la escobilla de carbón

1. A lo largo de la vida útil del motor, puede ser necesario cambiar entre 2 y 3 juegos de cepillos de carbón.
2. Asegúrese que se retire la batería antes de que se proceda con lo siguiente.
3. Use una broca de tamaño T8 para aflojar los tornillos de los paneles laterales y quite el panel.
4. Retire las escobillas de carbón de cada lado y repóngalas con unidades nuevas de parte de un distribuidor autorizado de Matco.
5. Inserte nuevas escobillas de carbón e instale la tapa con los mismos tornillos. Apriételes y revise la operación con la batería cargada insertada en la herramienta.

! ADVERTENCIA

HACER CASO OMISO A ESTAS ADVERTENCIAS PODRÍA OCASIONAR LESIONES.

¡GUARDE ESTAS INSTRUCCIONES!

INSTRUCCIONES DE SEGURIDAD PARA CARGADOR DE BATERÍA Y PAQUETE DE BATERÍA

¡PELIGRO! LEA CUIDADOSAMENTE

120 voltios presentes en la terminal de carga.
Absolutamente NO haga exploración con objetos
conductivos

1. LEA CUIDADOSAMENTE Y COMPRENDA ESTAS
INSTRUCCIONES

Este manual contiene instrucciones críticas de seguridad
y operación para la herramienta, el cargador de batería y las
baterías.

2. Antes de usar el cargador de batería, lea todas las
Instrucciones y etiquetas de precaución en el (1) cargador de
batería (2) la batería y (3) el producto que ocupa la batería

3. PRECAUCIÓN - Para disminuir el riesgo de lesiones,
cargue sólo aquellas baterías recargables de MATCO indicadas
en la etiqueta del cargador. Otros tipos de baterías pueden
explotarse, ocasionando lesiones y daños personales.

4. NO exponga el cargador a lluvia ni nieve.

5. El uso de un accesorio no recomendado o vendido por el
fabricante del cargador de la batería puede ocasionar el riesgo
de incendio, choque eléctrico o lesiones a las personas.

6. Para reducir el riesgo de daños a la enchufe y cable
eléctricos, jale por la enchufe y no por el cable, al momento
de desconectar el cargador.

7. Asegúrese que el cable esté ubicado en un lugar donde no
se pisará, no se tropezará, ni de otra forma estará expuesto a
daños o tensión.

8. No se debe usar un cable de extensión a menos que sea
absolutamente necesario. El uso de un cable de extensión
podría ocasionar el riesgo de incendio o choque eléctrico. Si
se tiene que usar un cable de extensión, asegúrese que:

a. los pasadores de la enchufe del cable de extensión sean
del mismo número de tamaño y forma de aquellos de la
enchufe del cargador;

b. el cable de extensión cuente con el cableado adecuado y
en buen estado eléctrico;

c. el tamaño del cable esté al menos tan grande como él
especificado en la tabla a continuación.

9. No opere el cargador con una enchufe de cable dañado -
repóngalos inmediatamente.

10. NO opere el cargador si éste haya recibido un golpe
fuerte, si se haya caído o haya sido dañado de otra forma;
llévelo a una Instalación de servicio AUTORIZADO de MATCO.

11. NO desensamble el cargador ni el cartucho de la batería;
llévelo a su centro de servicio de distribución AUTORIZADO de
MATCO. El ensamblado incorrecto puede ocasionar un riesgo
de choque eléctrico o incendio.

12. Para disminuir el riesgo de choque eléctrico, desenchufe
el cargador de la salida antes de realizar cualquier
mantenimiento o limpieza.

NO se disminuirá el riesgo por el hecho de apagar los
controles.

13. El cargador de batería no está destinado para uso
por niños jóvenes ni por personas enfermas sin alguna
supervisión.

14. Los niños jóvenes deben ser supervisados para asegurar
que no jueguen con el cargador de batería.

DIRECTRICES DE OPERACIÓN PARA EL CARGADOR DE BATERÍA Y EL PAQUETE DE BATERÍA

1. NO Intente usar un transformador elevador, un generador
de motor o receptáculo de potencia DC.

2. No deje que nada cubra ni atasque las ventilas del
cargador.

3. Siempre cubra los bornes de la batería con una caja o
cubierta cuando no se usa el cartucho de batería.

4. No ocasione ningún corto del cartucho de la batería:

(1) No toque los bornes con ningún material conductivo.

(2) Evite almacenar el cartucho de la batería en un
depósito con otros objetos de metal, tales como clavos,
tornillos, monedas, etc.

(3) No exponga el cartucho de la batería a aguas ni
lluvia. Un corto de la batería puede ocasionar un flujo largo de
corriente, el sobrecalentamiento, quemaduras potenciales o
aún alguna avería.

5. No almacene la herramienta y el cartucho de la batería en
lugares donde la temperatura puede alcanzar o exceder los
50°C (122°F).

Tabla 1: TAMAÑO RECOMENDADO MÍNIMO AWG PARA CABLES DE EXTENSIÓN PARA CARGADORES DE BATERÍA

Longitud del cable (pies)	25	50	75	100	150
Tamaño AWG del cable AWG	18	18	16	14	12

6. No incinere el paquete de batería aún si éste esté
severamente dañado o completamente desgastado.

El cartucho de la batería puede explotar en un incendio.

7. Tenga cuidado de no dejar caer, agitar ni pegar la batería
ya que hacer lo mismo podría afectar la capacidad y así anular
la garantía.

8. No realice la carga adentro de una caja ni ningún otro tipo
de recipiente. El cargador y la batería son aparatos ventilados
y NO deben estar colocados cerca de ninguna fuente de calor
ni expuestos a calor radiante.

9. Coloque el cargador sobre una superficie sólida y fuerte,
debido a que hay ventilaciones en la parte inferior del
cargador.

10. Cuando no se está realizando alguna secuencia de carga,
siempre desenchufe el cargador de la fuente de potencia.

GUÍA DE USO Y CUIDADO DE LA BATERÍA INALÁMBRICA DE MATCO

¡IMPORTANTE!

Todas las baterías recargables cuentan con una vida útil limitada y perderán su capacidad de almacenamiento lentamente, en la medida que se envejecen y sean recicladas. Las baterías recargables son artículos consumibles y deben ser tratados cuidadosamente para asegurar la operación adecuada durante su vida útil limitada. Lea cuidadosamente la guía a continuación para consejos que puedan facilitar a maximizar el rendimiento de sus baterías recargables de Matco. Las baterías deben ser tratadas con cuidado y desechadas por las autoridades adecuadas.

¡ADVERTENCIA! ¡SE DEBE LEER!

No aplaste ni incinere las baterías, ya que esto podría ocasionar peligro de explosión.

No coloque las baterías en lugares confinados donde éstas puedan tener contacto con objetos conductivos. Por ejemplo, no coloque la batería en bolsas, cajas de herramientas, bolsas de herramientas, con tornillos, llaves, virutas de metal, etc. porque la batería puede cortar circuito y/o ocasionar un peligro de incendio.

Sólo cárguelas en cargadores de Matco y nunca intente conectarlas a fuentes alternas de carga.

El peligro de explosión, choque eléctrico, incendio y electrocución puede ser resultado de:

- Abuso, uso indebido y choque severo
- Sujutando la unidad a partículas, objetos o líquidos conductivos
- Conectando dos cargadores juntos
- Cargando baterías de Matco con otros cargadores
- Usando el cargador de Matco para cargar otras baterías
- Operando el cargador con un cable o enchufe dañado

EL CUIDADO ADECUADO MAXIMIZARÁ LA VIDA ÚTIL DEL PRODUCTO Note por favor que hay diferencias entre el cuidado de baterías de litio- ion y las de níquel- cadmio.

CUIDADO ADECUADO PARA LAS BATERÍAS LITIO-ION (LI-ION) INFINIUM DE MATCO

- Todas las baterías litio- ion son sensibles a altas temperaturas y deben mantenerse secas, en temperaturas frescas y fuera de la luz directa. El rango ideal de temperatura para su operación y almacenamiento es de 32 a 75 °F. Las baterías litio-ion pueden ser almacenadas en el refrigerador pero no se recomienda su almacenamiento en el congelador.
- No deje que las baterías queden sin usarse por períodos extendidos de tiempo, especialmente cuando estén

completamente cargadas o descargadas. Antes de almacenarla, recargue una batería litio-ion hasta aproximadamente un 50% de nivel de carga.

- Las baterías litio-ion son sensibles a los choques. Evite dejarlas caer, que se peguen o se expongan a las vibraciones.
- Las baterías litio- ion pueden ser recargadas frecuentemente y pueden ser recargadas antes de que estén completamente agotadas. De hecho, se deben recargar las baterías Litio ion idealmente antes de que estén completamente agotadas. Si se las recarguen cuando haya entre 25% y 50% de capacidad de carga restante, se puede alargar su vida útil.
- Los contaminantes pueden afectar adversamente el rendimiento y vida útil de las baterías Litio ion. Minimice la exposición de la batería al polvo, la tierra y las partículas pequeñas.
- Recargue las baterías litio-ion de Matco solo en dispositivos de recarga de Matco, específicamente diseñados para dicho tipo de batería. Nunca sujete las baterías a ningún otro dispositivo de carga, descarga o restauración rápidas.

CUIDADO ADECUADO PARA BATERÍAS NÍQUEL-CADMIO (NI-CD) DE MATCO

- Las baterías níquel-cadmio son sensibles a altas temperaturas y deben mantenerse secas, en temperaturas frescas y fuera de la luz directa. La temperatura ideal de su operación y almacenamiento es de 32 a 70 °F. Las baterías níquel-cadmio pueden ser almacenadas en el refrigerador pero no se recomienda su almacenamiento en el congelador.
- No deje que las baterías queden sin usarse por períodos extendidos de tiempo. Almacene las baterías níquel-cadmio completamente descargadas en un lugar fresco y seco.
- Las baterías níquel-cadmio son sensibles a los choques. Evite dejarlas caer, que se peguen o que estén expuestas a las vibraciones.
- Antes de recargarlas, las baterías níquel-cadmio deben estar completamente descargadas dentro de la herramienta. Además, la batería debe estar completamente recargada antes de que se la retire del cargador. Las cargas frecuentes y los retiros a niveles intermitentes pueden disminuir la capacidad de la batería.
- Realice el "Ciclo de actualización" ("Refresh Cycle" en inglés) mensualmente para las baterías níquel-cadmio en el cargador universal MUCHRG1 de Matco. Para el uso ligero, realice esta función una vez cada tres meses. Nótese que esta función no es aplicable ni necesaria para las baterías litio ion.
- Los contaminantes pueden afectar adversamente el rendimiento y vida útil de las baterías Litio ion. Minimice la exposición de la batería al polvo, la tierra y las partículas pequeñas.
- Recargue las baterías níquel-cadmio de Matco solo en dispositivos de recarga de Matco, específicamente diseñados para dicho tipo de batería. Nunca sujete las baterías a ningún otro dispositivo de carga, descarga o restauración rápidas.

GARANTÍA INALÁMBRICA DE MATCO

MATCO 12V

Matco Tools garantiza sus herramientas 12V de ser libres de defectos en cuanto a material y mano de obra por un periodo de (2) años de la fecha original de compra con un año de mantenimiento gratis. En el segundo año, si alguna inspección señala que la avería fue ocasionada por algún defecto en cuanto a material y/o mano de obra, Matco reparará (o repondrá, a nuestra opción) sin cargo alguno. Se requiere el registro a través de su distribuidor local autorizado de Matco y/o entrega del registro completado incluido con el producto. Los productos defectuosos deben ser devueltos y analizados por parte de Tri-County Power Tool, Inc. para los Estados Unidos o por parte de Pneutool Parts & Services, Ltd o Diversified Power Inc para Canadá, en las direcciones alistadas a continuación, el flete pre-pagado. Para cualquier herramienta que ha recibido mantenimiento por parte del usuario o por parte de un centro de servicio no autorizado se le anulará la garantía de dicha herramienta.

El mal uso, abuso y el desgaste normal de algún producto no está cubierto bajo garantía.

Los defectos materiales y de mano de obra no se aplican en donde se encuentran los siguientes asuntos:

- Las reparaciones fueron realizadas o intentadas por algún centro de servicio o individuo no autorizado.
- Las reparaciones fueron requeridas debido al desgaste y deterioro debido al uso normal de la herramienta. Los artículos de desgaste y deterioro debido al uso normal incluyen, pero no están limitados a, los cepillos de carbono, TPR (por sus siglas en inglés) (las partes de agarre de hule), falla del interruptor, PCB (siglas en inglés) (desgaste del tablero de circuitos interno), anillos de sujeción del casquillo, etc. Estos son ejemplos de algunas fallas las cuales pueden no estar cubiertas bajo los defectos materiales y de mano de obra pero que se consideran parte del desgaste y deterioro debido al uso normal.
- La herramienta ha sido maltratada o usada para fines para el cual no fue destinada, o no ha recibido el mantenimiento adecuado. (ejemplo, las cabezas de trinquete inalámbricas deben estar engrasadas, los motores de la herramienta no deben estar expuestos a sustancias dañinas tales como (químicos de limpieza, el polvo y suciedad excesivos, y virutas de metal o escombros),
- Se realizaron modificaciones o se usaron accesorios inadecuados con el producto.

MUC12LB BATERÍA / MUC12LC CARGADOR DE ION DE LITIO DE MATCO 12V Matco Tools garantiza su (batería / cargador de ion de litio) de ser libre de defectos en cuanto a material y mano de obra por un periodo de (2) años de la fecha original de compra. Se requiere el registro a través de su distribuidor local autorizado de Matco y/o entrega del registro completado incluido con el producto. Si la batería / cargador llegara a fallarse dentro del periodo de garantía, ésta debe ser devuelta, y analizada por parte de Tri-County Power Tool, Inc. o Pneutool Parts & Services, Ltd., o Diversified Power Inc en las direcciones alistadas a continuación, el flete pre-pagado. Algún defecto de la capacidad de la batería puede definirse como la batería ya no acepta una carga o no sostiene la carga por el periodo especificado del fabricante según sea determinado por el centro de reparaciones de Matco Tools. Basada en la evaluación, Matco Tools, a su discreción, o reparará o repondrá cualquier batería que se encuentre ser defectuosa en cuanto a material o mano de obra a ningún costo. Consulte por favor la Guía de Cuidado de la Batería de Matco en el Manual de Operación Inalámbrica por cualquiera de los productos de Infinium. Ahí se encontrarán consejos útiles los que pueden maximizar la vida útil de su batería.

Direcciones para devoluciones a continuación:

TRI-COUNTY POWER TOOL, INC.
4597 Pearl Rd.
Cleveland, OH 44109
(216) 398-6120
Fax: (216) 398-6121
Toll Free: 1-866-873-8278

PNEUTOOL PARTS AND SERVICE CO. LTD.
33 Haas Rd.
Toronto, ON M9W 3A1 Canada
(416) 748-2100
(888)748-1201 Toll Free In Canada

DIVERSIFIED POWER INC
90 Buttermill Avenue,
Vaughan, Ontario
L4K 3X7 Canada
Tel: 905-760-9077
Toll Free: 800-821-7975