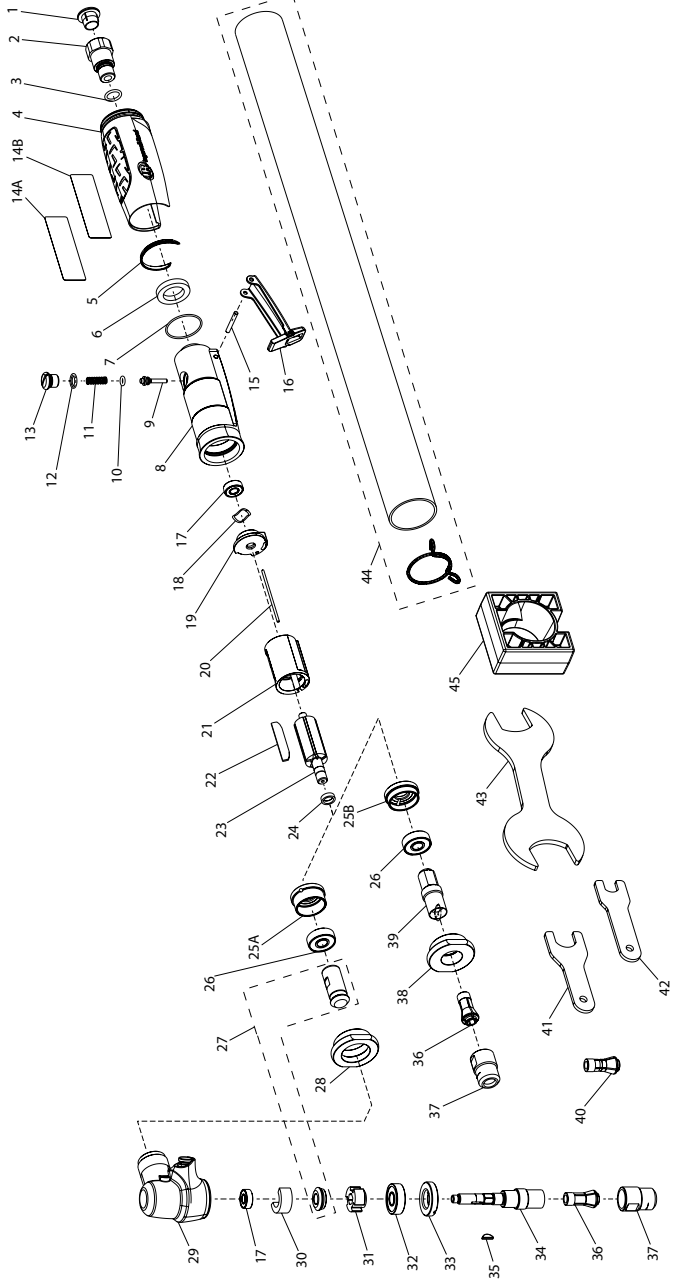


5102MAX and 5108MAX, Air Die Grinder - Exploded View



(Dwg. TP2233-2)

5102MAX and 5108MAX, Air Die Grinder - Parts List

Item	Part Description	Part Number	Item	Part Description	Part Number
1	Plastic Plug	PF-PLUG	24	Spacer	RG1-448
2	Inlet Bushing Assembly	5108MAX-A565	25A	Endplate (for 5102MAX)	RG1-11A
*	Inlet Bushing	5108Max-565	25B	Front Endplate (for 5108MAX)	RG1-11
*	Inlet Screen	131-61	26	Bearing	301-24
3	O-ring	170-283	27	Gear Pinion Set (for 5102MAX)	5102MAX-A552-1.25
4	Sleeve	5108MAX-747	*	Pinion (for 5102MAX)	5102MAX-551-1.25
5	Gasket	5108Max-223	*	Gear (for 5102MAX)	RG1-552-1.25
6	Muffler	5108Max-311A	28	Clamp Nut (for 5102MAX)	5102Max-27A
7	O-ring	RG1-216	29	Angle Housing (for 5102MAX)	5102MAX-A550
8	Housing Assembly For 25k	RG1-A40-25K	*	Angle Housing (for 5102MAX)	5102MAX-550
*	Housing	RG1-40-25K	*	Grease Fitting (for 5102MAX)	D0F9-879
*	Bushing	RG1-503	*	Locking Pin (for 5102MAX)	HG2-31
9	Throttle Valve	RG1-302	*	Bushing (for 5102MAX)	HG2-38
10	Throttle Valve Seal	7811-94	*	Spring (for 5102MAX)	HG2-250L
11	Spring	RG1-51	*	O-ring (for 5102MAX)	47112511
12	O-ring	RG1-206	30	Wick (for 5102MAX)	RG1-560-1.25
13	Valve Plug	RG1-266	31	Hub (for 5102MAX)	HG1-108
14A	Tool Label (for 5102MAX)	5102MAX-301	32	Bearing (for 5102MAX)	5102Max-24
14B	Tool Label (for 5108MAX)	5108MAX-301	33	Cap (for 5102MAX)	5102Max-531
15	Pin	RG1-120	34	Collet Arbor (for 5102MAX)	5102MAX-591A
16	Lever Assembly	RG1-A400	35	Pinion Key (for 5102MAX)	301-579
*	Lever (Stamp)	RG1-400	36	Collet, 1/4in.	301-700
*	Lever Lock	RG1-402	37	Collet Nut	301-699
*	Roll Pin	RG1-152	38	Clamp Nut (for 5108MAX)	5108MAX-306
*	Spring	RG1-405	39	Collet Body (for 5108MAX)	5108MAX-290
17	Bearing	RG1-22	40	Collet 6mm	301-700B
18	Wave Spring	RG1-278	41	Collet Nut Wrench	301-69B
19	Rear Endplate	RG1-12	42	Collet Body Wrench	301-69A
20	Pin	RG1-56L	43	Clamp Nut Wrench	5108MAX-26
21	Long Cylinder	RG1-3L	44	Piped Away Exhaust Kit	5108MAX-K284
22	Vane Pack (Set of 5)	RG1-42L-LF-5	*	Spring	5108MAX-284
*	Vane	RG1-42L-LF	*	Pipe	5108MAX-297
23	Rotor	RG1-53L-5	45	Clamp Block	5108Max-598

* Not illustrated.

Parts and Maintenance

When the life of the tool has expired, it is recommended that the tool be disassembled, degreased and parts be separated by material so that they can be recycled.

Tool repair and maintenance should only be carried out by an authorized Service Center.

Refer all communications to the nearest **Ingersoll Rand** Office or Distributor.

Related Documentation

For additional information refer to:

Air Die Grinder Product Safety Information Manual 04580288.

Air Die Grinder Product Information Manual 48483697.

Manuals can be downloaded from www.ingersollrandproducts.com.

