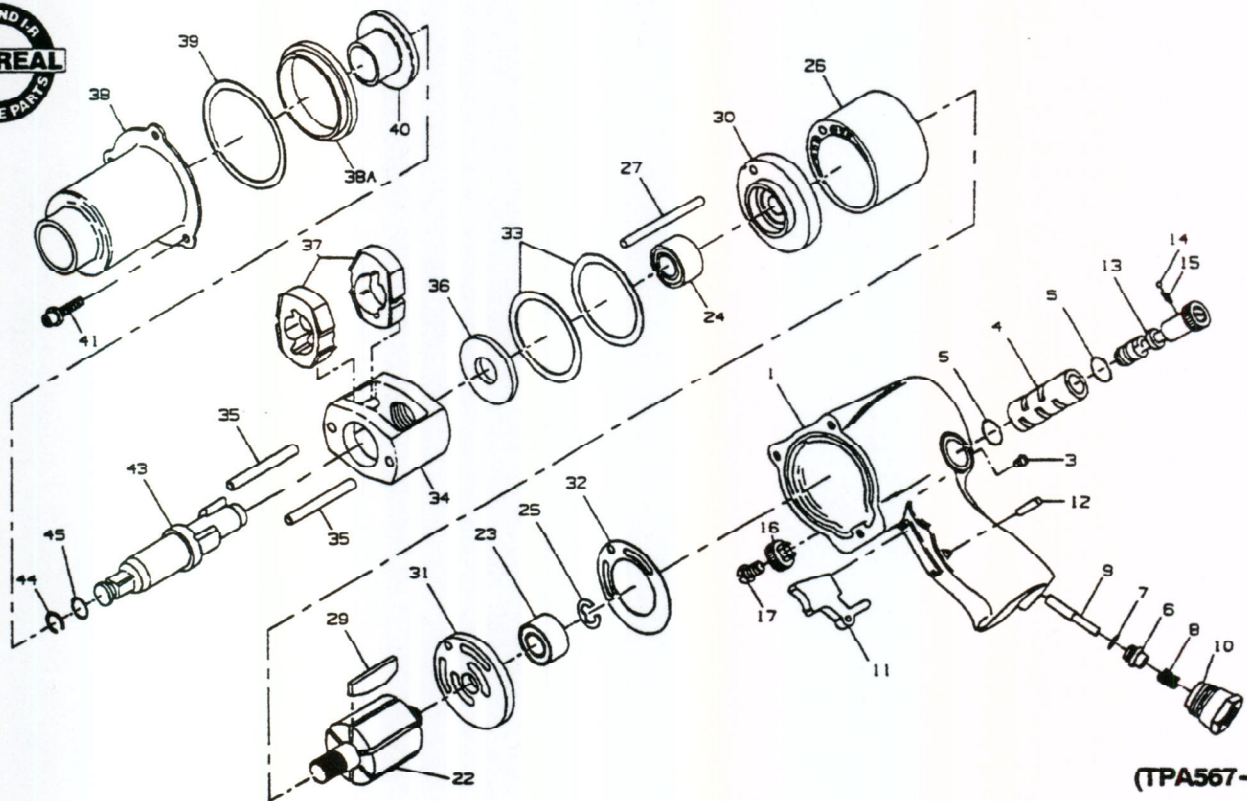


MODELS 231-007, 231-007-EU IMPACT WRENCHES (DISCONTINUED)



(TPA567-9)

PART NUMBER FOR ORDERING

	Motor Housing Assembly		24	Front Rotor Bearing	4U-97
	for 231, 231-2	231-A40A	25	Rear Rotor Bearing Retainer	402-118
	for 231-EU, 231-2-EU	231-EU-A40A	26	Cylinder	407-3
1	Motor Housing		27	Cylinder Dowel	230-98
	for 231, 231-2	231-B40	29	Vane Packet (set of 6 Vanes)	221-42-6
	for 231-EU, 231-2-EU	231-EU-B40	30	Front End Plate	231-11
*	Warning Label		31	Rear End Plate	231-12
	for 231, 231-2	WARNING-2-99	32	End Plate Gasket	231-283
	for 231-EU, 231-2-EU	EU-99	33	Motor Clamp Washer (2)	227-207
3	Grease Fitting	130SR-188	34	Hammer Frame Assembly	231-A703
4	Reverse Valve Bushing		35	Hammer Pin (2)	231-704
	Assembly	231-A330	36	Hammer Frame Rear Washer	231-706
5	Reverse Valve Busing		37	Hammer (2)	231-724
	Seal (2)	PS3-67	38	Hammer Case Assembly	705-A927
6	Reverse Valve Assembly	404-50A	+ 38A	Hammer Case Pilot	405-800
7	Reverse Valve O-ring	405-159	39	Hammer Case Gasket	230-36
8	Retainer O-ring	R1A-51	40	Hammer Case Bushing	705-941
9	Throttle Valve Stem (rear inlet)	402-302	41	Hammer Case Cap Screw (3)	231-638
9	Throttle Valve Stem (front inlet)	230-302	43	Anvil Assembly	
10	Inlet Bushing	402-565	43	for 231, 231-EU	231-A626A
11	Trigger	705-93	43	for 231-2, 231-2-EU (2")	231-A414A-2
12	Trigger Pin	533-656	44	Socket Retainer	231-425A
13	Reverse Valve Assembly	231-329A	45	Retainer O-ring	R1A-159
14	Reverse Valve Detent Ball	AV1-255	*	Grease	405-MG1
15	Reverse Valve Detent Spring	231-664	*	Grease Applicator	230-228
16	Reverse Valve Knob	231-666	*	Oil	405-M01
17	Reverse Valve Knob Screw	231-665	*	Boot	231-P32
22	Rotor	231-53	+ *	Nameplate	
23	Rear Rotor Bearing	402-22		for 231, 231-2	231-301
				for 231-EU, 231-2-EU	231-EU-301

+ Because Models 231-007 and 231-007-EU are limited production tools, the special Motor Housing (1), Hammer Case (38) and Nameplate are not available as replacement parts. In place of these components, order standard Model 231 Impact Wrench replacement parts using the listed part number.

* Not illustrated