

Operating Instructions • Warning Information  
• Parts Breakdown



## ! WARNING

Some dust created by power sanding, sawing, grinding, drilling, and other construction activities contains chemicals known to cause cancer, birth defects or other reproductive harm. Some examples of these chemicals are:

- lead from lead-based paints,
- crystalline silica from bricks and cement and other masonry products, and
- arsenic and chromium from chemically-treated lumber.

Your risk from these exposures varies, depending on how often you do this type of work. To reduce your exposure to these chemicals: work in a well ventilated area, and work with approved safety equipment, such as those dust masks that are specially designed to filter out microscopic particles.

## ! WARNING

- MAXIMUM RPM OF 22,000
- MAX AIR PRESSURE: 90 PSIG, 6.2 BAR
- RPM OF THE ACCESSORY MUST EXCEED TOOL RPM



ALWAYS READ INSTRUCTIONS BEFORE USING POWER TOOLS



ALWAYS WEAR SAFETY GOGGLES



WEAR HEARING PROTECTION



AVOID PROLONGED EXPOSURE TO VIBRATION

## SPECIFICATIONS

Free Speed: .....	22,000 RPM
Air Inlet: .....	1/4" NPT
Collet Size: .....	1/4"
Recommended Hose Size: .....	3/8" I.D.
Recommended Air Pressure: .....	90 PSI
Air Consumption: .....	0.4 CFM
Length: .....	11"
Net Weight: .....	2.2 lbs.

## CAT-530XL

Heavy Duty  
Extra Long  
Die Grinder

# ! WARNING

## FAILURE TO OBSERVE THESE WARNINGS COULD RESULT IN INJURY.



**THIS INSTRUCTION MANUAL CONTAINS IMPORTANT SAFETY INFORMATION. READ THIS INSTRUCTION MANUAL CAREFULLY AND UNDERSTAND ALL INFORMATION BEFORE OPERATING THIS TOOL.**

- Always operate, inspect and maintain this tool in accordance with American National Standards Institute Safety Code of Portable Air Tools (ANSI B186.1) and any other applicable safety codes and regulations.

- For safety, top performance and maximum durability of parts, operate this tool at 90 psig: 6.2 bar max air pressure with 3/8" diameter air supply hose.



- Always wear impact-resistant eye and face protection when operating or performing maintenance on this tool.



- Always wear hearing protection when using this tool. High sound levels can cause permanent hearing loss. Use hearing protection as recommended by your employer or OSHA regulation.

- Keep the tool in efficient operating condition.

- Operators and maintenance personnel must be physically able to handle the bulk, weight and power of this tool.



- Air under pressure can cause severe injury. Never direct air at yourself or others. Always turn off the air supply, drain hose of air pressure and detach tool from air supply before installing, removing or adjusting any accessory on this tool, or before performing any maintenance on this tool. Failure to do so could result in injury. Whip hoses can cause serious injury. Always check for damaged, frayed or loose hoses and fittings, and replace immediately. Do not use quick detach couplings at tool. See instructions for correct set-up.



- Air powered tools can vibrate during use. Vibration, repetitive motions or uncomfortable positions over extended periods of time may be harmful to your hands and arms. Discontinue use of tool if discomfort, tingling feeling or pain occurs. Seek medical advice before resuming use.



- Place the tool on the work before starting the tool.
- Slipping, tripping and/or falling while operating air tools can be a major cause of serious injury or death. Be aware of excess hose left on the walking or work surface.



- Keep body working stance balanced and firm. Do not overreach when operating the tool.



- Anticipate and be alert for sudden changes in motion during start up and operation of any power tool.

- Do not carry tool by the hose. Protect the hose from sharp objects and heat.

- Tool shaft may continue to rotate briefly after throttle is released. Avoid direct contact with accessories during and after use. Gloves will reduce the risk of cuts or burns.

- Keep away from rotating end of tool. Do not wear jewelry or loose clothing. Secure long hair. Scalping can occur if hair is not kept away from tool and accessories. Choking can occur if neckwear is not kept away from tool and accessories.

- Correct grinding wheel mounting is necessary to prevent injury from broken wheels. Do not use chipped or cracked grinding wheels. Grinding wheels should be a free fit on the spindle to prevent stress at the hole. Use only wheel collars that come with the grinder for mounting the grinding wheel. Flat washers or other adapters may over stress the wheel. Always use heavy blotter discs between the wheel collars and the grinding wheel. Tighten the wheel on the spindle to prevent spin off when the air grinder is turned off.

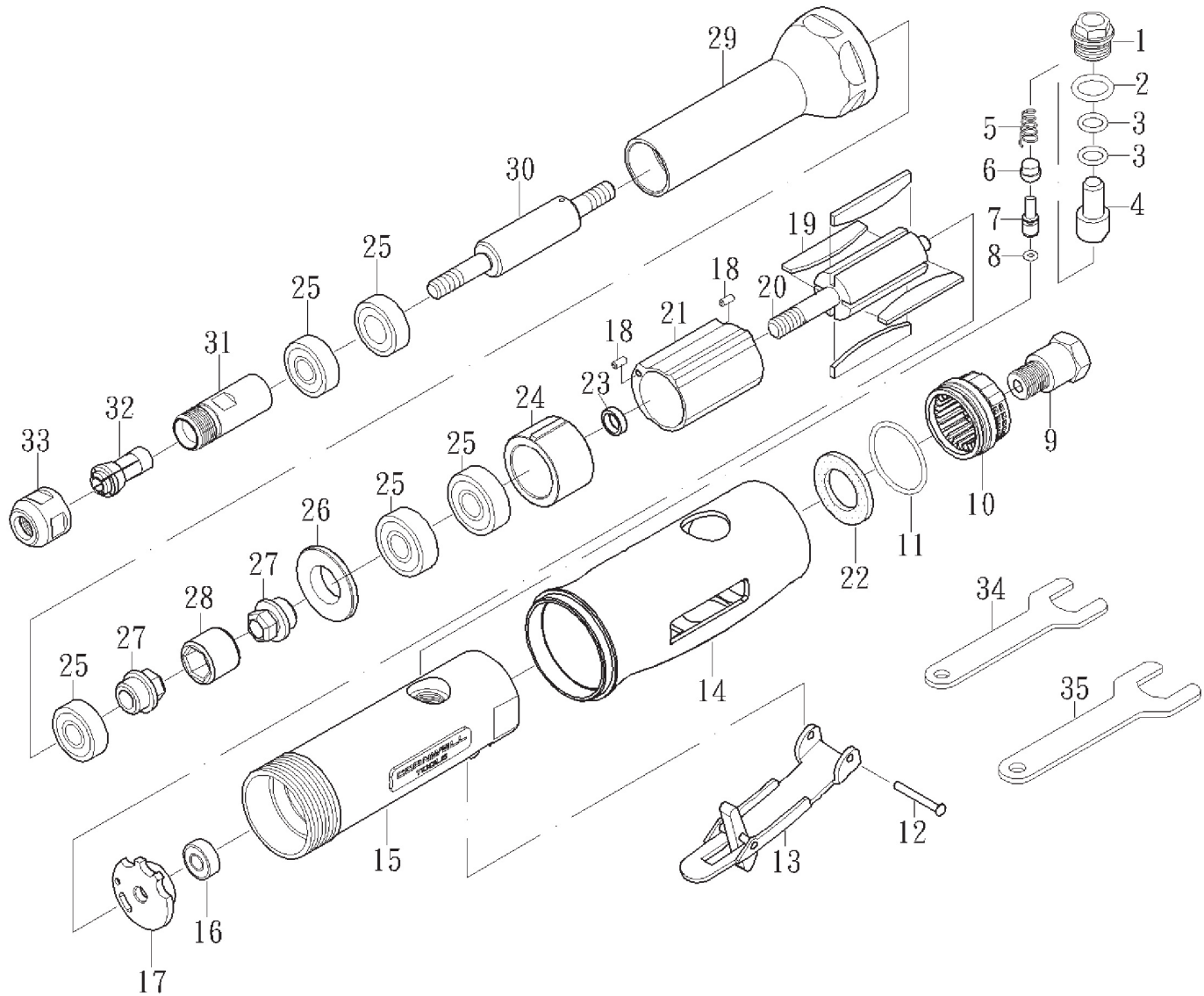
- Do not lubricate tools with flammable or volatile liquids such as kerosene, diesel or jet fuel.

- Do not force tool beyond its rated capacity.

- Do not remove any labels. Replace any damaged labels.

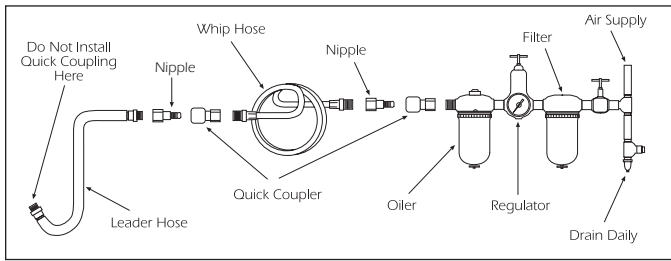
- Use accessories recommended by Cornwell Tools.

# PARTS BREAKDOWN - CAT-530XL



Ref. #	Item #	DESCRIPTION	QTY	Ref #	Item#	DESCRIPTION	QTY
1	RS31501	Screw	1	19	RS31519	Rotor Blade	4
2	RS31502	O-Ring (P12)	1	20	RS288321	Rotor	1
3	RS31503	O-Ring (P8)	2	21	RS31521	Cylinder	1
4	RS31504	Air Regulator	1	22	RS31522	Cone Muffler	1
5	RS31505	Spring	1	23	RS2GR23	Bearing Spacer	1
6	RS31506	Valve Stem Bushing	1	24	RS288325	Front Plate	1
7	RS31507	Valve Stem	1	25	RS30524	Bearing (608ZZ)	5
8	RS31508	O-Ring (3.5 x 1.4)	1	26	RS288027	Washer	1
9	RS31509	Air Inlet	1	27	RS2880L28	Coupling Nut	2
10	RS31510	Exhaust Sleeve	1	28	RS2880L29	Coupling	1
11	RS31511	O-Ring (26.7 x 1.78)	1	29	RS30XL29	Spindle Housing	1
12	RS31512	Spring Pin	1	30	RS30XL30	Spindle	1
13	RS20013CW	Lever	1	31	RS288029	Spindle	1
14	RS30XL14	Housing Cover	1	32	RS20635	Collet	1
15	RS30XL15CW	Housing	1	33	RS20636	Collet Nut	1
16	RS30516	Bearing (696ZZ)	1	34	RS31535	Stop Spanner (14mm)	1
17	RS31517	Rear Plate	1	35	RS20639	Stop Spanner (19mm)	1
18	RS31518	Pin (2.5 x 6L)	2				

## Operating Instructions • Warning Information • Parts Breakdown



### AIR SUPPLY

Tools of this class operate on a wide range of air pressures. It is recommended that air pressure of these tools measures 90 PSI at the tool while running free. Higher pressure (over 90 psig; 6.2 bar) raises performance beyond the rated capacity of the tool, which will shorten tool life because of faster wear and could cause injury.

Always use clean, dry air. Dust, corrosive fumes and/or water in the air line will cause damage to the tool. Drain the air tank daily. Clean the air inlet filter screen on at least a weekly schedule. The recommended hookup procedure can be viewed in the above figure.

The air inlet used for connecting air supply has standard 1/4" NPT.

Line pressure should be increased to compensate for unusually long air hoses (over 25 feet). Minimum hose diameter should be 3/8" I.D. and fittings should have the same inside dimensions and be tightly secured.

### OPERATION

When using the grinder, be careful not to exert excessive force. Too much force could be hazardous if it causes the cutting tool spindle to bend or break.

The burning of the work piece or excessive speed reduction indicates too much force being applied. Changing to a free cutting tool may be better for the desired rate of speed and stock removal.

Avoid hazardous conditions by making sure there is sufficient force on the spindle of the cutting tool by placing the spindle 7/16" or more inside the collet.

**NOTE:** DURING OPERATION SAFETY GOGGLES SHOULD ALWAYS BE WORN TO GUARD AGAINST FLYING RUST AND CHIPS.

### LUBRICATION

Lubricate the air motor daily with quality air tool oil. If no air line oiler is used, run 1/2 oz. of oil through the tool. The oil can be squirted into the tool air inlet or into the hose at the nearest connection to the air supply, then run the tool. A rust inhibitive oil is acceptable for air tools.

**WARNING:** After an air tool has been lubricated, oil will discharge through the exhaust port during the first few seconds of operation. The exhaust port must be covered with a towel before applying air pressure to prevent serious injury.

## WARRANTY

Cornwell warrants its air tools for a period of 1 year to the consumer. We will repair any air tool covered under this warranty which proves to be defective in material or workmanship during the warranty period. In order to have your tool repaired, return the tool to any Cornwell Authorized Warranty Center, freight prepaid. Please include a copy of your proof of purchase and a brief description of the problem. The tool will be inspected and if any part or parts are found to be defective in material or workmanship, they will be repaired free of charge and the repaired tool will be returned to you freight prepaid.

This warranty gives you specific rights. You may also have other rights which vary from state to state.

The foregoing obligation is Cornwell's sole liability under this or any implied warranty and under no circumstances shall Cornwell be liable for any incidental or consequential damages.

**Note:** Some states do not allow the exclusion or limitation of incidental or consequential damages, so the above limitation or exclusion may not apply to you.